

ML250-4

Frame & Engine Parts 2013 EDITION



UNIVERSAL
H A R D W A R E®

Box 585, Center Road
Spanish Lookout
Tel 501 823 0254
sales@universalhardware.bz

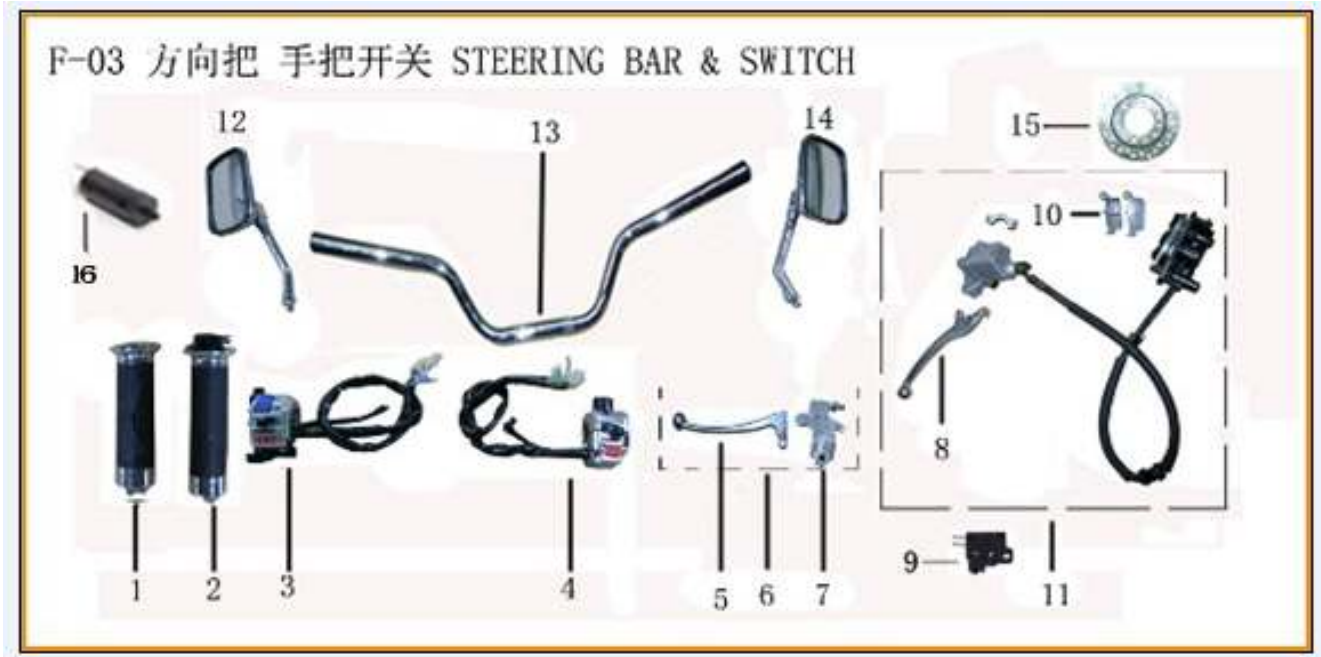
3380 Chetumal Street
Belize City
Tel 501 224 4140
salesbz@universalhardware.bz



25041-1	Sub-Headlight	
25041-2	Headlight Assy	
25041-3	Headlight Stay Comp.	
25041-4	Parking Light Bulb, 12V/5W	
25041-5	Bulb 12V 35W/35W	
25041-6	Bulb 12V10W	
25041-7	Front Fork Ornament	
25041-8	Cover Deck	
25041-9	Front Reflector	



25042-1	Meter Assy	
25042-2	Clutch Cable	
25042-3	Odometer Cable Comp.	
25042-4	Choke Cable	
25042-5	Throttle Cable (2 Set)	
25042-6	Rear Brake Cable	
25042-7	Bulb 12V1.7W	



25043-1	Grip Comp., LH	
25043-2	Throttle Grip Comp.	
25043-3	Handlebar Switch, LH	
25043-4	Handlebar Switch, RH	
25043-5	Clutch Lever	
25043-6	Clutch Lever Comp.	
25043-7	Clutch Lever Holder Set	
25043-8	Front Brake Lever	
25043-9	Front Brake Switch	
25043-10	Front Disc Brake Pad	
25043-11	Front Hydraulic Brake Assy	
25043-12	Rearview Mirror, LH	
25043-13	Steering Bar Pipe Comp.	
25043-14	Rearview Mirror, RH	
25043-15	Brake Disc	
25043-16	Clutch Switch	



25044-1	Top Bearing Ball	
25044-2	Bottom Bearing Ball	
25044-3	Steering Stem Adjusting Nut	
25044-4	Steering Stem Dust Ring	
25044-5	Steering Stem Assy	
25044-6	Steering Bar Holder	
25044-7	Locknut	
25044-8	Top Steering Stem Connection Board	
25044-9	Steering Stem Bearing Set	

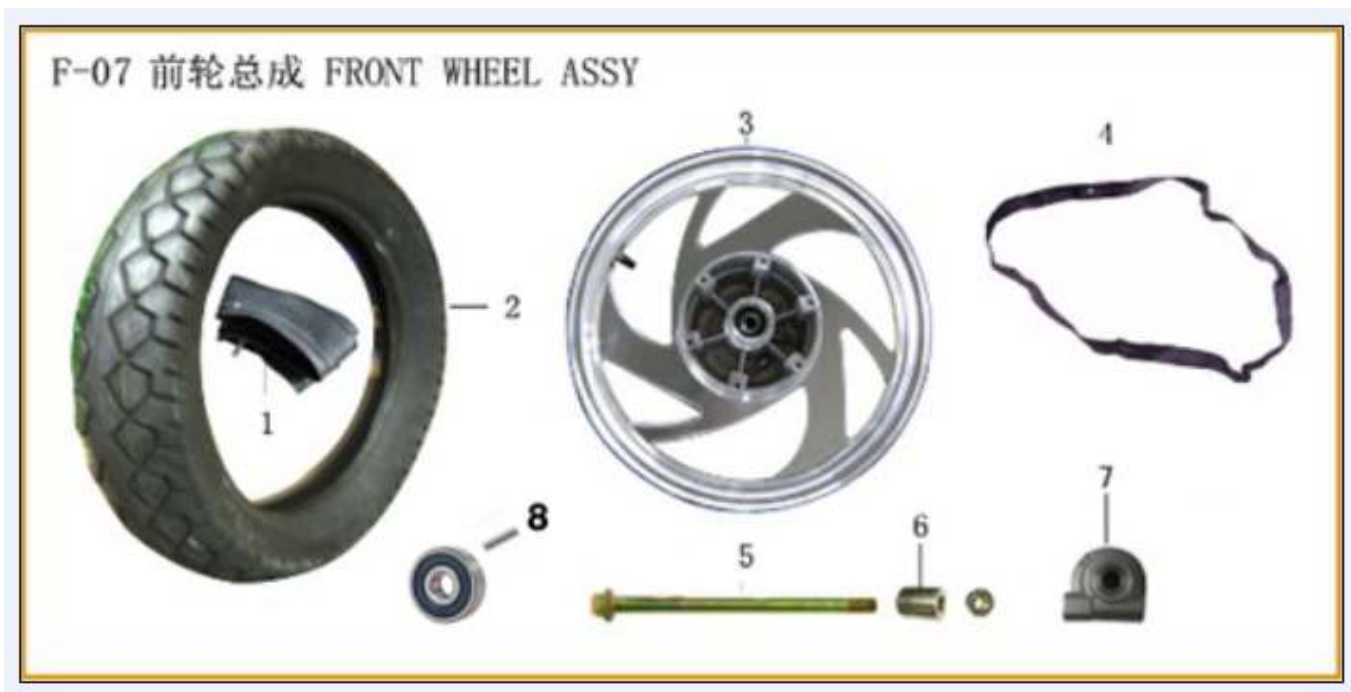


25045-1	Front Fender Ornament	
25045-2BA	Front Fender - Black	
25045-2BU	Front Fender - Blue	
25045-2R	Front Fender - Red	
25045-3	Front License Bracket	
25045-4	Windshield Front Clear Glass	
25045-5	Front Windshield Stay Assy	

F-06 减震器 SHOCK ABSORBER



25046-1	Rear Shock Absorber Assy	
25046-2	Dust Cover	
25046-3	Front Shock Absorber Oil Seal	
25046-4	Front Shock Absorber, LH	
25046-5	Front Shock Absorber, RH	



25047-1	Front Tube	
25047-2	Front Tyre	
25047-3	Front Wheel Hub Comp.	
25047-4	Front Tyre Flap	
25047-5	Front Axle	
25047-6	Front Wheel Left Bush	
25047-7	Speedometer Gear Box	
25047-8	Wheel Bearing LH & RH 6202	



25048-1	Sprocket Hub Comp	
25048-2	Rear Wheel Buffer Set	
25048-3	Sprocket	
25048-4	Rear Brake Shoe Set	
25048-5	Rear Tyre	
25048-6	Rear Brake	
25048-7	Rear Wheel Bush, RH	
25048-8	Rear Wheel Rim Comp.	
25048-9	Rear Axle	
25048-10	Rear Tube	
25048-11	Rear Tyre Flap	
25048-12	Rear Wheel Bush LH	
25048-13	Sprocket Hub Bearing	
25048-14	Rear Brake Arm	
25048-15	RH Wheel Bearing 6302	
25048-16	LH Wheel Bearing 6202	
25048-17	Rear Sprocket Hub Bearing 6004	

F-09 油箱总成 FUEL TANK



25049-1	Upper Trimmed Cover	
25049-2BA	Fuel Tank Comp.- Black	
25049-2R	Fuel Tank Comp.- Red	
25049-3	Lock Assy	
25049-4	Fuel Gauge	
25049-5	Fuel Tank Front Cushion	
25049-6	Fuel Tank Mark Plate	
25049-7	Fuel Cock Comp.	
25049-8	Fuel Sensor	

F-10 座墊 SEAT



250410-1	Seat Assy	
250410-2	Passenger Seat	
250410-3	Passenger Backrest Comp.	
250410-4	Rear Backrest	



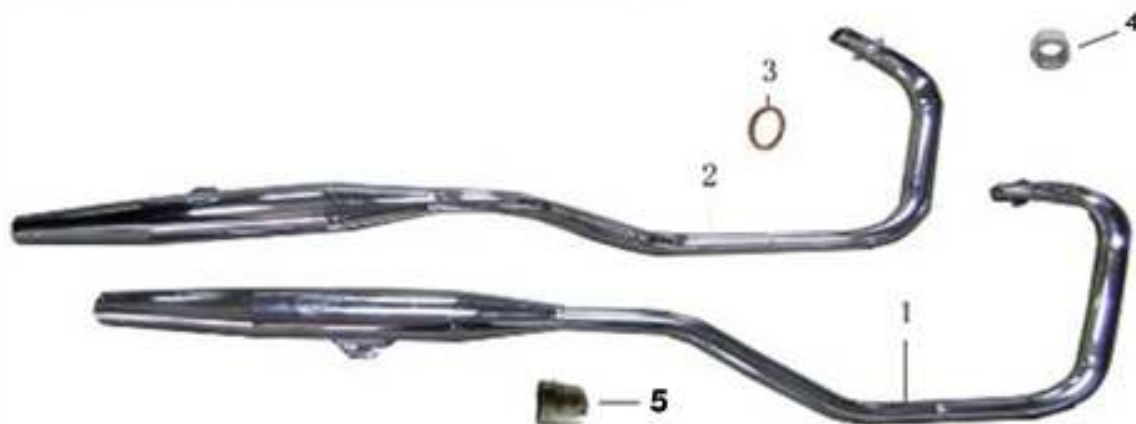
250411-1BA	Side Cover, LH - Black	
250411-1R	Side Cover, LH - Red	
250411-2BA	Side Cover, RH - Black	
250411-2R	Side Cover, RH - Red	
250411-3	Rear Panel Ornament, RH	
250411-4	Rear Panel Ornament, LH	
250411-5	Side Cover Mark Plate	
250411-6	Tool Box Comp.	
250411-7	Rear Carrier Sleeve	
250411-8	Tool Kit	

F-12 空气滤清器总成 AIR CLEANER ASSY



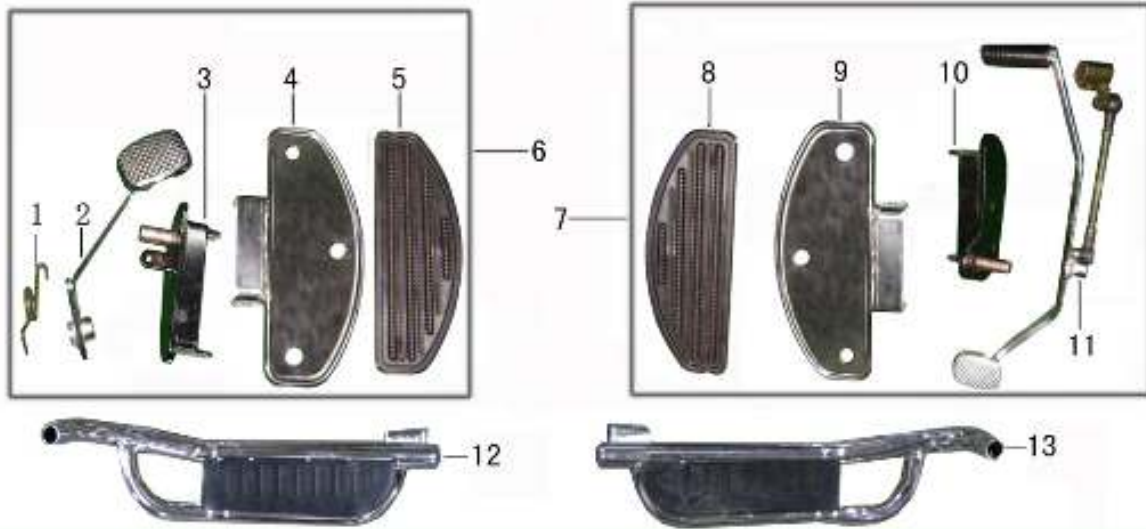
250412-1	Air Cleaner Assy	
250412-2	Air Cleaner Element	

F 13 排气消声器总成 EXHAUST MUFFLER



250413-1	Muffler, RH	
250413-2	Muffler, LH	
250413-3	Exhaust Muffler Gasket	
250413-4	Nut - Exhaust Cap Nut	
250413-5	Muffler Gasket 2, Inner Smaller	

F-14 搁脚组合 FOOTREST ASSY



250414-1	Rear Brake Pedal Torsion Spring	
250414-2	Rear Brake Pedal Assy	
250414-3	Rider Treadle Weldment	
250414-4	Rider Rubber Treadle, RH	
250414-5	Front-Right Footrest Rubber Sleeve	
250414-6	Rider Footrest Comp., RH	
250414-7	Rider Footrest Comp., LH	
250414-8	Front-Left Footrest Rubber Sleeve	
250414-9	Rider Rubber Treadle, LH	
250414-10	Rider Footrest Pedal Holder Comp., RH	
250414-11	Gearshift Lever Assy	
250414-12	Passenger Footrest Comp., RH	
250414-13	Passenger Footrest Comp., LH	

F-15 主支架 CENTER STAND



250415-1	Center Stand Comp.	
250415-2	Center Stand Shaft	
250415-3	Side Stand	
250415-4	Spring, Center Stand	
250415-5	Side Stand Spring	



250416-1	Rear Fork Shaft	
250416-2	Rear Fork Weldment	
250416-3	Chain Guide	
250416-4	Drive Chain	
250416-5	Top Chaincase	
250416-6	Chain Adjuster Comp.	
250416-7	Chain Adjuster Setting Plate	
250416-8	Rear Brake Limit Bar	

F-17 后挡泥板 REAR FENDER



250417-1	Rear Fender Front Body	
250417-2	Flash Relay Stay	
250417-3	Taillight Wire	
250417-4BA	Rear Fender - Black	
250417-4R	Rear Fender - Red	
250417-5	Rear Fender Support	
250417-6	Rear Wheel Guard	
250417-7	Rear License Bracket	
250417-8	Taillight Assy	
250417-9	Bulb 12V21W/5W	
250417-10	Rear License Plate Light Comp.	
250417-11	Bulb, 12V-3W	

F-18 转向灯 WINKER



250418-1	Front Winker, LH	
250418-2	Front Winker, RH	
250418-3	Rear Winker, LH	
250418-4	Rear Winker, RH	
250418-5	Bulb 12V/10W	

F-19 后货架焊接组合 REAR CARRIER



250419-1	Rear Carrier Weldment	
250419-2	Buffer	

F-20 车架焊接总成 FRAME WELDMENT



250420-1	Frame Weldment	
250420-2	Engine Top Right Suspension Plate	
250420-3	Engine Top Left Suspension Plate	
250420-4	Engine Bottom Suspension Plate	
250420-5	Rear Fork Shaft Ornamental Lid	
250420-6	Battery Stay Comp.	

F-21 电器 ELECTRICAL ELEMENTS



250421-1	Main Cable	
250421-2	Battery 12N9-4B	
250421-3	Burglar Alarm Assy	
250421-4	Nameplate	
250421-5	Horn	
250421-6	Starting Relay	
250421-7	Ignition Coil	
250421-8	Ignition Controller	
250421-9	Brake Alarm	
250421-10	Voltage Regulator	
250421-11	Front Brake Switch	

Meilun Wheel Bearing Specification				
Sorted by Bike Model				
Bike Model	Description	Bearing #	Part #	
ML100-A	Front Wheel Right Bearing	6300	1009-13	
ML100-A	Front Wheel Left Bearing	6300	1009-13	
ML100-A	Rear Wheel Right Bearing	6301	10010-18	
ML100-A	Rear Wheel Left Bearing	6301	10010-18	
ML100-A	Rear Sprocket Hub Bearing	6203	10010-19	
ML125-5	Front Wheel Right Bearing	6301	12557-21	
ML125-5	Front Wheel Left Bearing	6301	12557-21	
ML125-5	Rear Wheel Right Bearing	6202	12559-16	
ML125-5	Rear Wheel Left Bearing	6302	12559-20	
ML125-7	Front Wheel Right Bearing	6301	12577-16	
ML125-7	Front Wheel Left Bearing	6301	12577-16	
ML125-7	Rear Wheel Right Bearing	6302	12578-13	
ML125-7	Rear Wheel Left Bearing	6202	12578-15	
ML125-7	Rear Sprocket Hub Bearing	6204	12578-14	
ML125T-26	Front Wheel Right Bearing	6301	125269-12	
ML125T-26	Front Wheel Left Bearing	6301	125269-12	
ML125T-26	Rear Wheel Right Bearing	6203	1252610-7	
ML125T-26	Rear Wheel Left Bearing	6203	1252610-7	
ML150-9J	Front Wheel Right Bearing	6301	15098-9	
ML150-9J	Front Wheel Left Bearing	6301	15098-9	
ML150-9J	Rear Wheel Right Bearing	6302	15099-11	
ML150-9J	Rear Wheel Left Bearing	6202	15099-12	
ML150-9J	Rear Sprocket Hub Bearing	6204	15099-13	
ML150GY-3A	Front Wheel Right Bearing	6301	20058-13	
ML150GY-3A	Front Wheel Left Bearing	6301	20058-13	
ML150GY-3A	Rear Wheel Right Bearing	6302	20059-21	
ML150GY-3A	Rear Wheel Left Bearing	6302	20059-21	
ML150ZH-3	Front Wheel Right Bearing	6304	31508-13	
ML150ZH-3	Front Wheel Left Bearing	6304	31508-13	
ML150ZH-3	Rear Wheel Right Bearing		N/A	
ML150ZH-3	Rear Wheel Left Bearing		N/A	
ML200GY-5	Front Wheel Right Bearing	6301	20058-13	
ML200GY-5	Front Wheel Left Bearing	6301	20058-13	
ML200GY-5	Rear Wheel Right Bearing	6302	20059-21	
ML200GY-5	Rear Wheel Left Bearing	6302	20059-21	
ML250-4	Front Wheel Right Bearing	6202	25047-8	
ML250-4	Front Wheel Left Bearing	6202	25047-8	
ML250-4	Rear Wheel Right Bearing	6302	25048-15	
ML250-4	Rear Wheel Left Bearing	6202	25048-16	
ML250-4	Rear Sprocket Hub Bearing	6004	25048-17	

Meilun Wheel Bearing Specification				
Sorted by Bearing #				
Bike Model	Description	Bearing #	Part #	
ML250-4	Rear Sprocket Hub Bearing	6004	25048-17	
ML125-5	Rear Wheel Right Bearing	6202	12559-16	
ML125-7	Rear Wheel Left Bearing	6202	12578-15	
ML150-9J	Rear Wheel Left Bearing	6202	15099-12	
ML250-4	Front Wheel Right Bearing	6202	25047-8	
ML250-4	Front Wheel Left Bearing	6202	25047-8	
ML250-4	Rear Wheel Left Bearing	6202	25048-16	
ML100-A	Rear Sprocket Hub Bearing	6203	10010-19	
ML125T-26	Rear Wheel Right Bearing	6203	1252610-7	
ML125T-26	Rear Wheel Left Bearing	6203	1252610-7	
ML125-7	Rear Sprocket Hub Bearing	6204	12578-14	
ML150-9J	Rear Sprocket Hub Bearing	6204	15099-13	
ML100-A	Front Wheel Right Bearing	6300	1009-13	
ML100-A	Front Wheel Left Bearing	6300	1009-13	
ML100-A	Rear Wheel Right Bearing	6301	10010-18	
ML100-A	Rear Wheel Left Bearing	6301	10010-18	
ML125-5	Front Wheel Right Bearing	6301	12557-21	
ML125-5	Front Wheel Left Bearing	6301	12557-21	
ML125-7	Front Wheel Right Bearing	6301	12577-16	
ML125-7	Front Wheel Left Bearing	6301	12577-16	
ML125T-26	Front Wheel Right Bearing	6301	125269-12	
ML125T-26	Front Wheel Left Bearing	6301	125269-12	
ML150-9J	Front Wheel Right Bearing	6301	15098-9	
ML150-9J	Front Wheel Left Bearing	6301	15098-9	
ML150GY-3A	Front Wheel Right Bearing	6301	20058-13	
ML150GY-3A	Front Wheel Left Bearing	6301	20058-13	
ML200GY-5	Front Wheel Right Bearing	6301	20058-13	
ML200GY-5	Front Wheel Left Bearing	6301	20058-13	
ML125-5	Rear Wheel Left Bearing	6302	12559-20	
ML125-7	Rear Wheel Right Bearing	6302	12578-13	
ML150-9J	Rear Wheel Right Bearing	6302	15099-11	
ML150GY-3A	Rear Wheel Right Bearing	6302	20059-21	
ML150GY-3A	Rear Wheel Left Bearing	6302	20059-21	
ML200GY-5	Rear Wheel Right Bearing	6302	20059-21	
ML200GY-5	Rear Wheel Left Bearing	6302	20059-21	
ML250-4	Rear Wheel Right Bearing	6302	25048-15	
ML150ZH-3	Front Wheel Right Bearing	6304	31508-13	
ML150ZH-3	Front Wheel Left Bearing	6304	31508-13	
ML150ZH-3	Rear Wheel Right Bearing		N/A	
ML150ZH-3	Rear Wheel Left Bearing		N/A	

253FMM

Engine Parts

ML250-4

2013



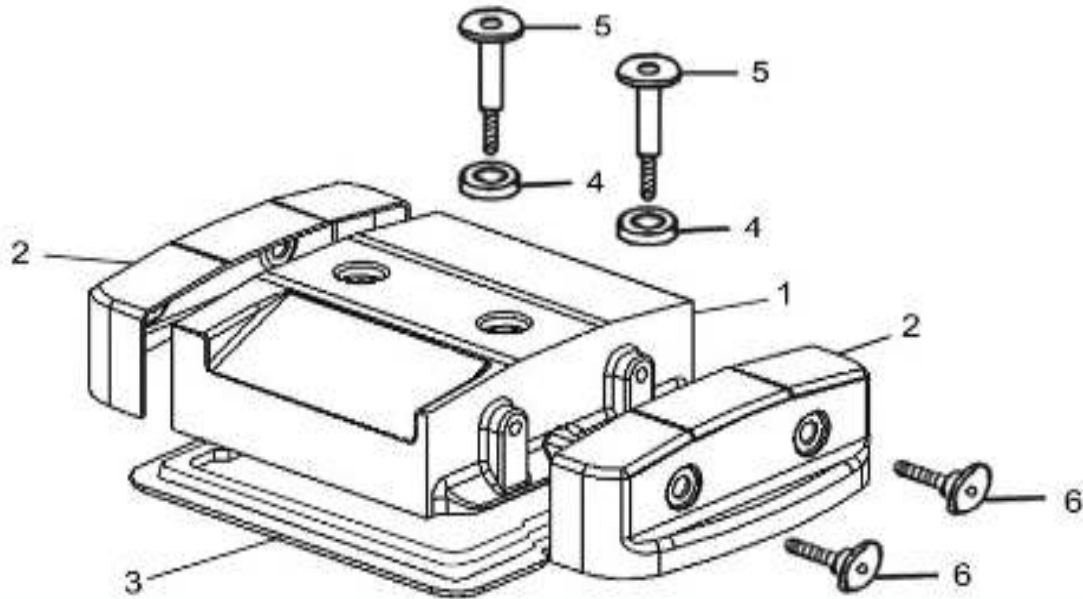
UNIVERSAL

H A R D W A R E®

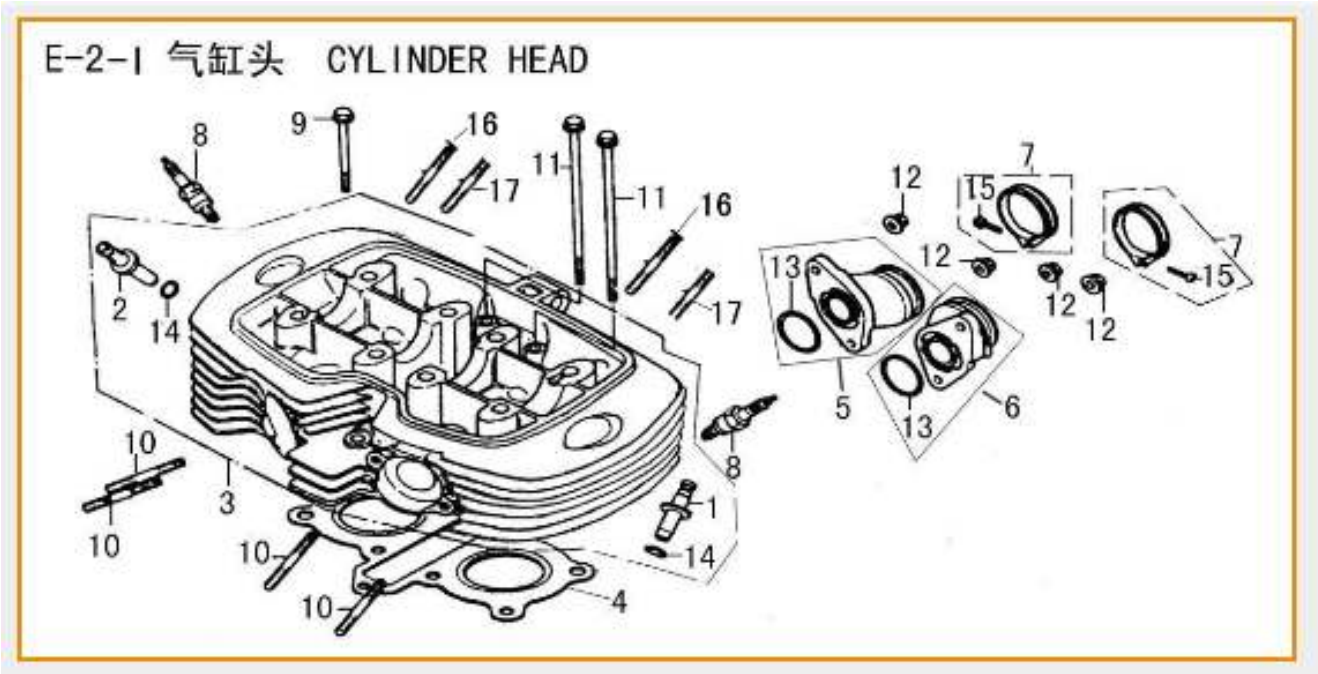
Box 585, Center Road
Spanish Lookout
Tel 501 823 0254
sales@universalhardware.bz

3380 Chetumal Street
Belize City
Tel 501 224 4140
salesbz@universalhardware.bz

E-1 气缸头盖 CYLINDER HEAD COVER

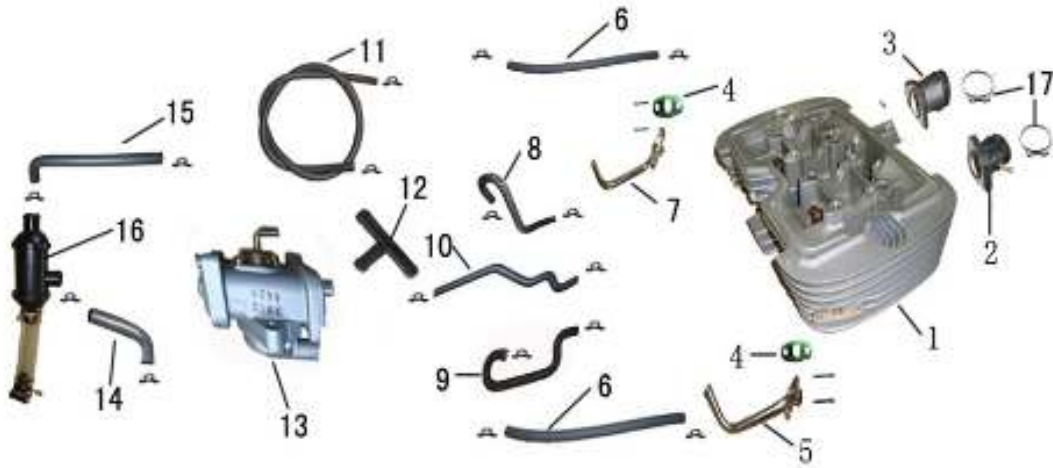


2531-1	Cylinder Head Cover	
2531-2	Cylinder Head Shroud Comp.	
2531-3	Cylinder Head Cover Gasket	
2531-4	Cylinder Head Cover Oil Seal	
2531-5	Screw M6×40	
2531-6	Screw M6×37	

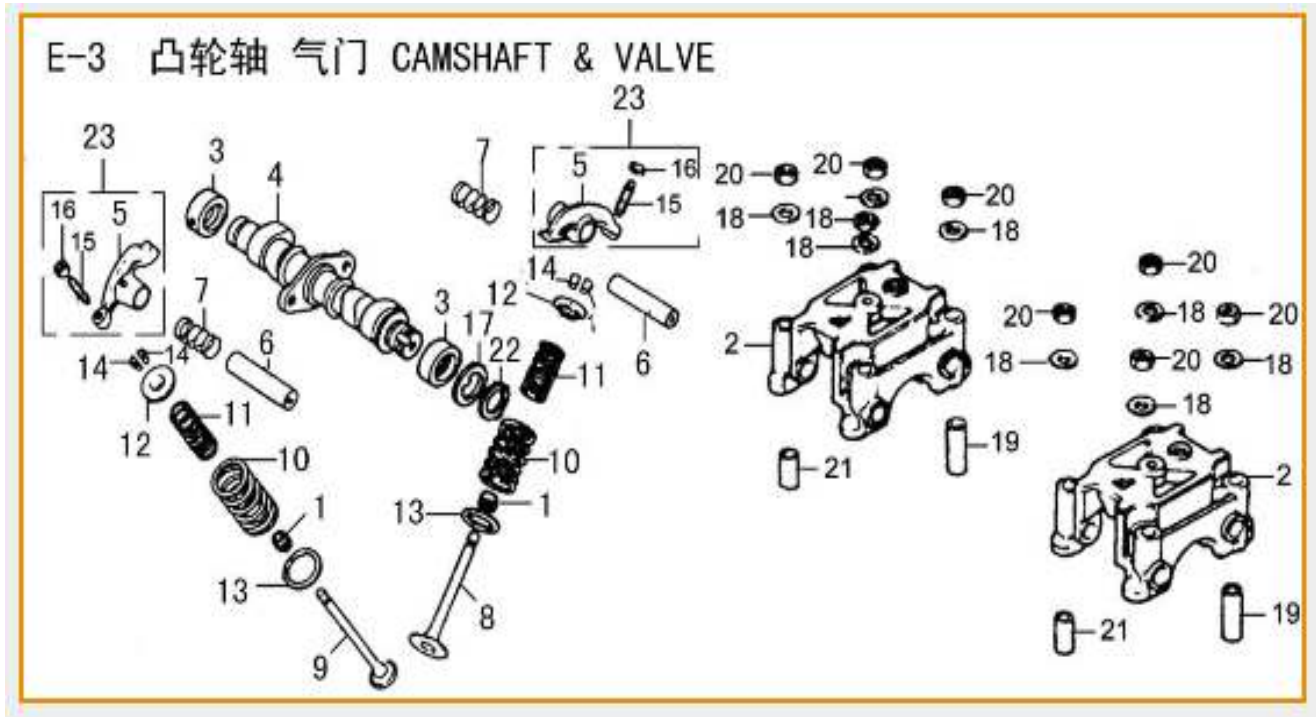


2532-1	Intake Valve Guide	
2532-2	Exhaust Valve Guide	
2532-3	Cylinder Head Comp.	
2532-4	Cylinder Head Gasket	
2532-5	Inlet Pipe Set	
2532-6	Inlet Pipe Set II	
2532-7	Inlet Pipe Clip	
2532-8	Spark Plug	
2532-9	Bolt M6×65	
2532-10	Stud Bolt M8×45	
2532-11	Bolt M6×145	
2532-12	Nut M6	
2532-13	Inlet Pipe O-Ring	
2532-14	Guide O-Ring	
2532-15	Screw M4×30	
2532-16	Bolt M6×65	
2532-17	Bolt M6×65	

E-2-11 二次空气导入系统 SECONDARY AIR GUIDING SYSTEM



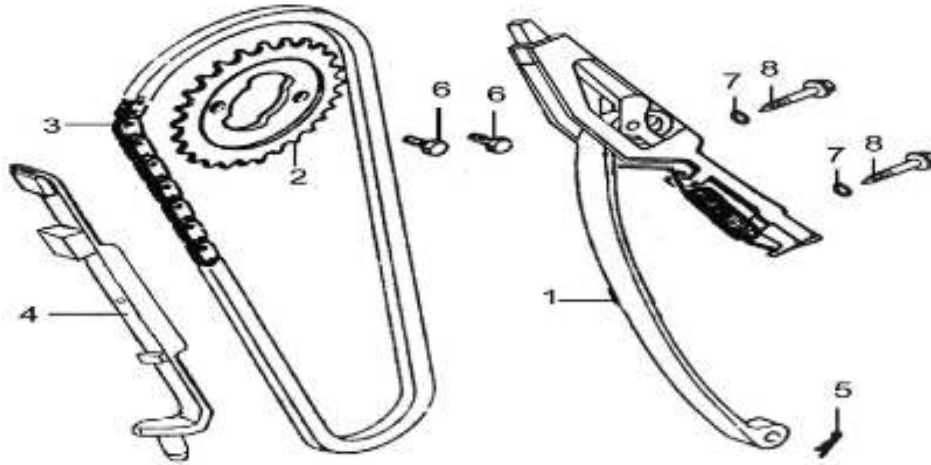
2532-1	Cylinder Head Comp.	
2532-2	Inlet Pipe Set II	
2532-3	Inlet Pipe Set	
2532-4	Check Valve Vent Pipe Shim	
2532-5	Check Valve Vent Pipe Comp.	
2532-6	Vacuum Pipe	
2532-7	Clamp Breather Tube	
2532-8	Secondary Air Aeration Valve Outlet Pipe, LH	
2532-9	Secondary Air Aeration Valve Outlet Pipe, RH	
2532-10	Secondary Air Aeration Valve Inlet Pipe	
2532-11	Air Injection Valve Vacuum Pipe III	
2532-12	Aeration Vacuum Pipe	
2532-13	Secondary Air Aeration Valve Comp.	
2532-14	Crankcase Waste Pipe I	
2532-15	Crankcase Waste Pipe II	
2532-16	Air/Fuel Separator	
2532-17	Inlet Pipe Clip	



2533-1	Valve Stem Oil Seal
2533-2	Rocker Arm Base
2533-3	Camshaft Bushing Set
2533-4	Camshaft
2533-5	Valve Rocker Arm
2533-6	Rocker Arm Shaft
2533-7	Valve Rocker Arm Spring
2533-8	Intake Valve
2533-9	Exhaust Valve
2533-10	Valve Outer Spring
2533-11	Valve Inner Spring
2533-12	Valve Spring Upper Seat

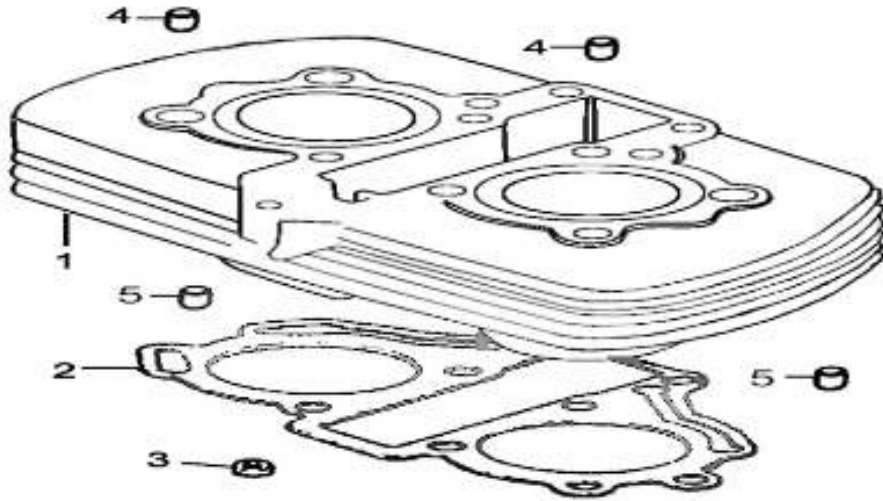
2533-13	Valve Outer Spring Seat
2533-14	Valve Split Cone
2533-15	Valve Gap Adjusting Screw
2533-16	Valve Clearance Adjusting Nut
2533-17	Camshaft Washer
2533-18	Cylinder Bolt Steel Washer
2533-19	Pin 10×28.7
2533-20	Nut M8
2533-21	Cylinder Head Dowel Pin
2533-22	Spring circlip
2533-23	Rocker Arm Assy

E-4 正时链条 张紧器 TIMING CHAIN & TENSIONER



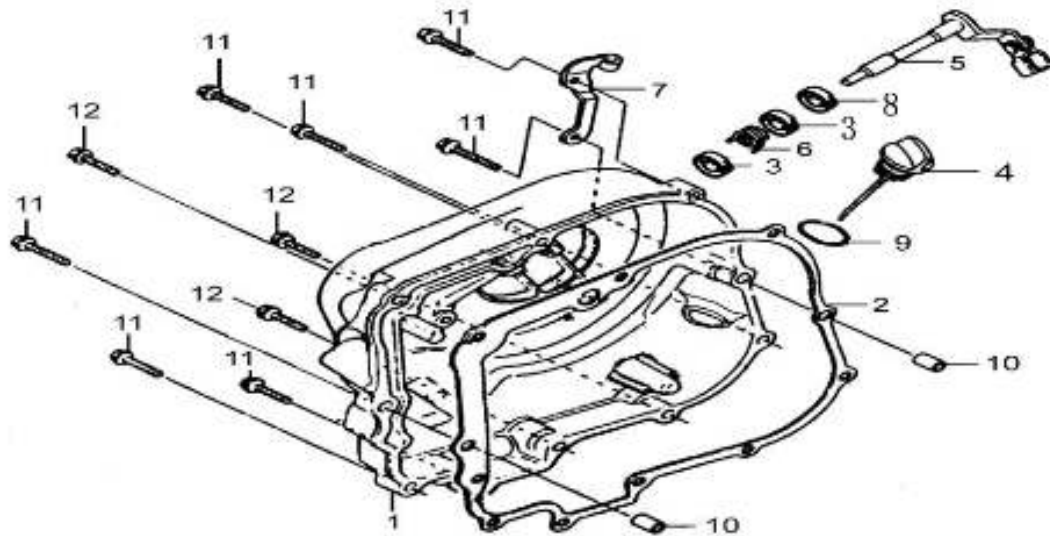
2534-1	Tensioner Assy	
2534-2	Timing Driven Sprocket	
2534-3	Timing Chain	
2534-4	Guide Wheel	
2534-5	Pin 6	
2534-6	Bolt M7×12	
2534-7	Washer 6	
2534-8	Tensioner Adjusting Screw	

E-5 气缸体 CYLINDER

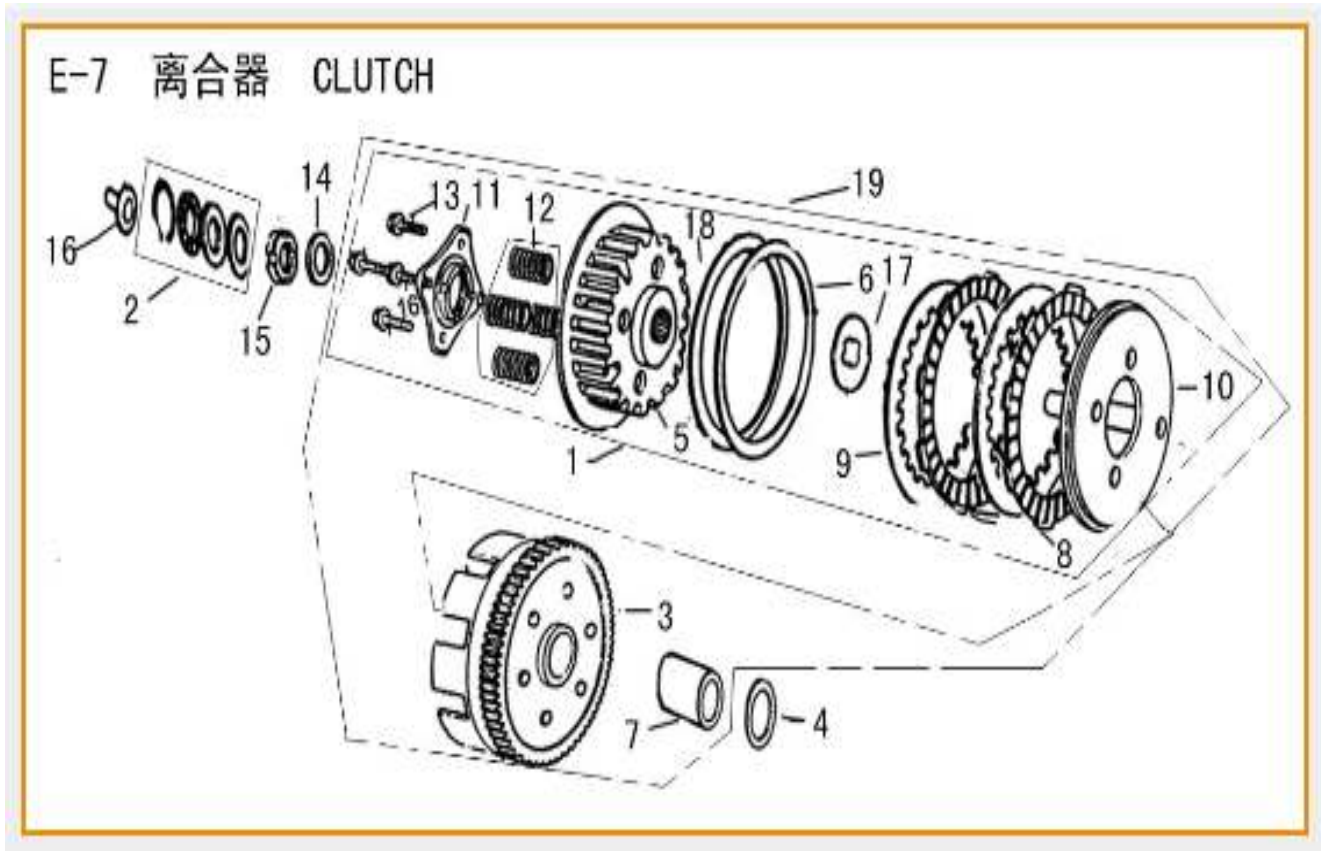


2535-1	Cylinder Block Comp.	
2535-2	Cylinder Block Gasket	
2535-3	Nut M6	
2535-4	Cylinder Head Dowel Pin	
2535-5	Cylinder Block Dowel Pin	

E-6 右曲轴箱盖 RIGHT CRANKCASE COVER



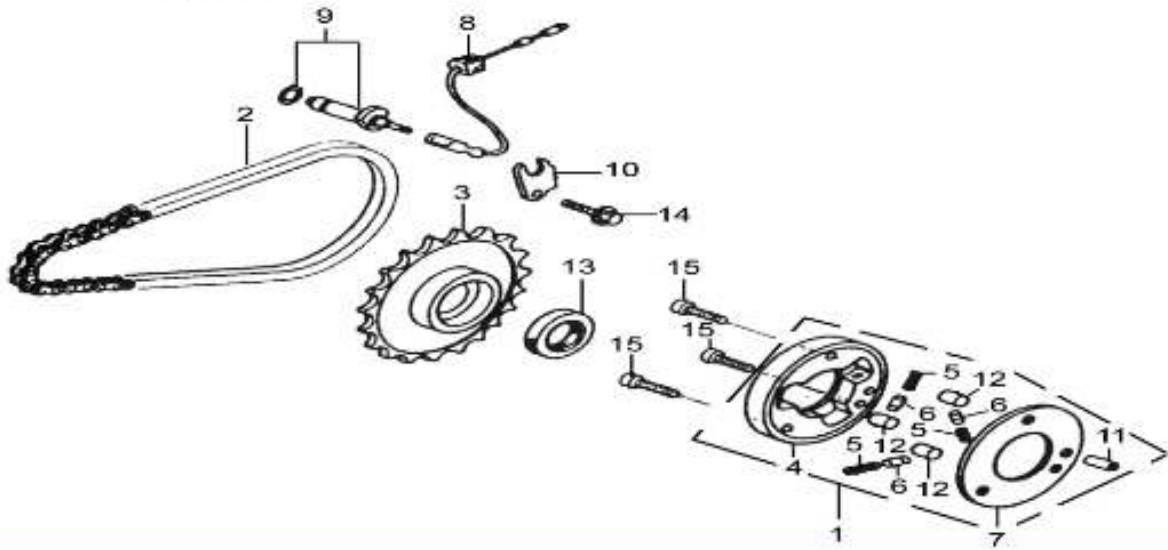
2536-1	Crankcase Cover, RH	
2536-2	Crankcase Cover Gasket,RH	
2536-3	Bearing HK 121610	
2536-4	Dipstick	
2536-5	Clutch Lever Comp.	
2536-6	Clutch Lever Spring	
2536-7	Clutch Cable Adjusting Stay	
2536-8	Clutch Lever Oil Seal 12×18×5	
2536-9	O-Ring 18×3	
2536-10	Cylinder Block Dowel Pin 8×14	
2536-11	Bolt M6×40	
2536-12	Bolt M6×50	



2537-1	Driven Disc Assy
2537-2	Bearing
2537-3	Drive Disc Set
2537-4	Washer 20×36×2.5
2537-5	Clutch Driven Disc Comp.
2537-6	Spring
2537-7	Bush
2537-8	Drive Plates
2537-9	Driven Plates
2537-10	Clutch Pressure Plate

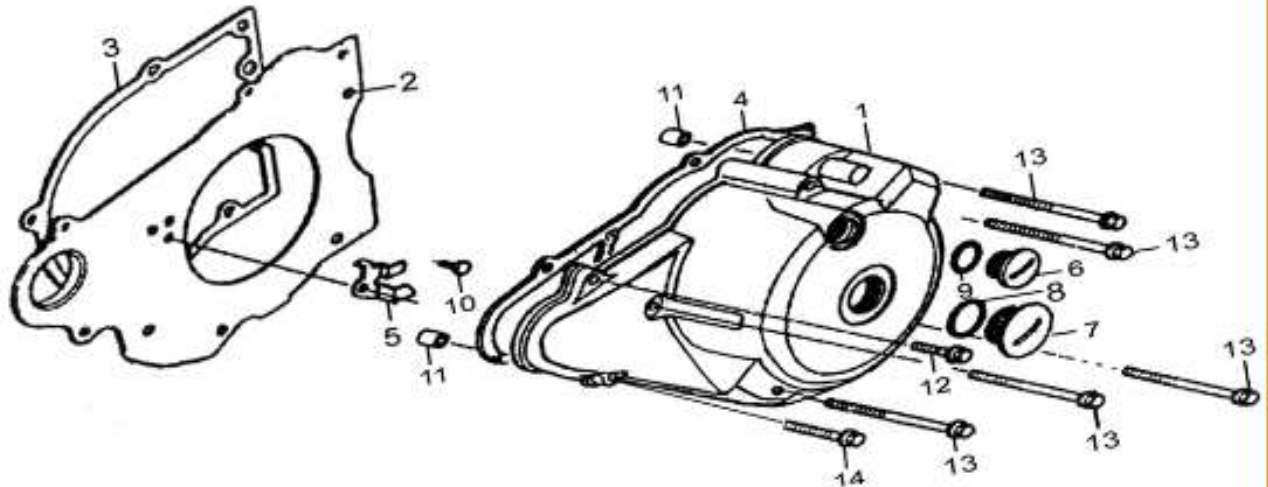
2537-11	Clutch Lifter Plate
2537-12	Clutch Spring
2537-13	Bolt M6×22
2537-14	Washer 16
2537-15	Clutch Lock Nut
2537-16	Clutch Pusher
2537-17	Clutch Spline Washer B20
2537-18	Ring
2537-19	Clutch Main Body

E-8 起动离合器 STARTING CLUTCH



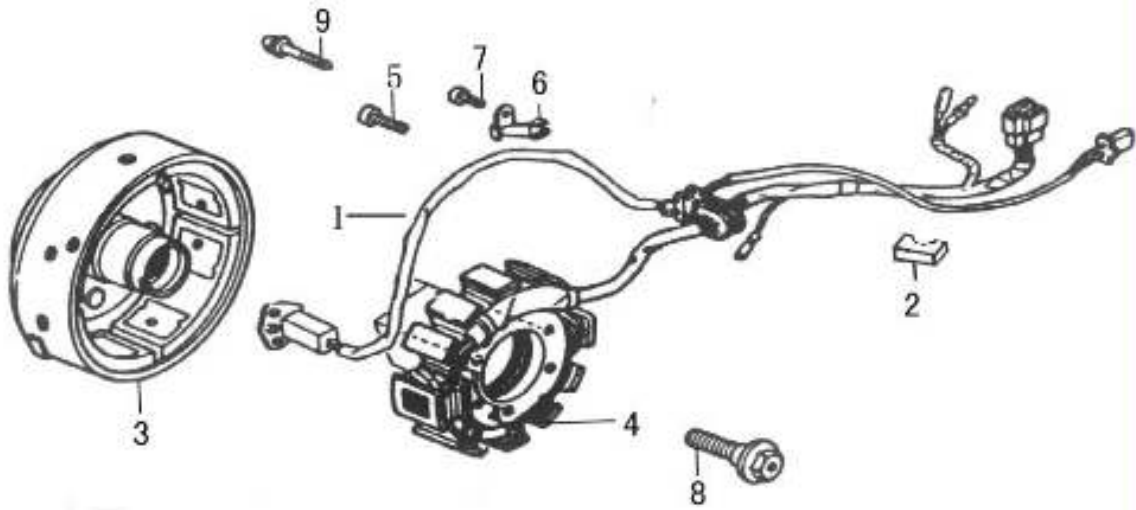
2538-1	Starting Clutch Assy	
2538-2	Drive Chain	
2538-3	Starting Clutch Gear Comp.	
2538-4	Starting Clutch Body Comp.	
2538-5	Starting Clutch Spring	
2538-6	Starting Clutch Spring Sleeve	
2538-7	Starting Clutch Cover	
2538-8	Gear Indicating Wire Harness	
2538-9	Neutral Indicator comp.	
2538-10	Gear Indicator Pressure Plate	
2538-11	Start Clutch Cover Pin 6×13.5	
2538-12	Roller 10.2×9.5	
2538-13	Oil Seal 22×31×5	
2538-14	Bolt M6×12	
2538-15	Screw M6×16	

E-9 左曲轴箱盖 LEFT CRANKCASE COVER



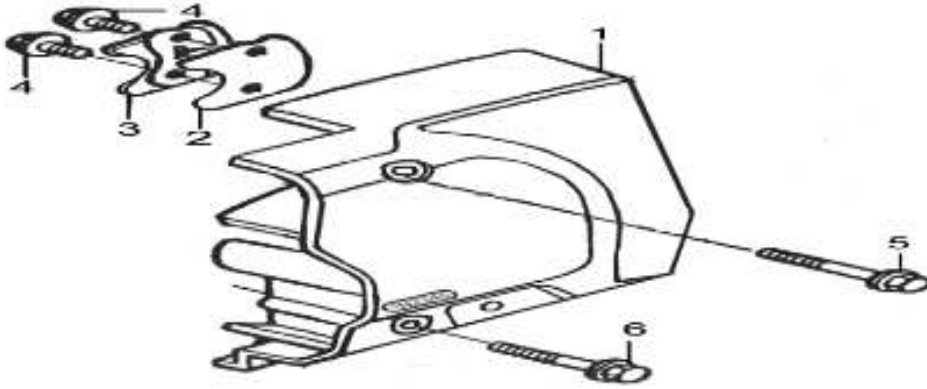
2539-1	Crankcase Cover, LH	
2539-2	Clapboard	
2539-3	Clapboard Gasket	
2539-4	Crankcase Cover Gasket,LH	
2539-5	Sprocket Locating Plate	
2539-6	View Hole Plug M14×1.5	
2539-7	Plug M30×1.5	
2539-8	O-ring 27×2.5	
2539-9	Watch Hole Plug O-Ring 13.5×2.5	
2539-10	Bolt M6×8	
2539-11	Pin 8×16	
2539-12	Bolt M6×20	
2539-13	Bolt M6×65	
2539-14	Bolt M6×50	

E-10 磁电机 MAGNETO



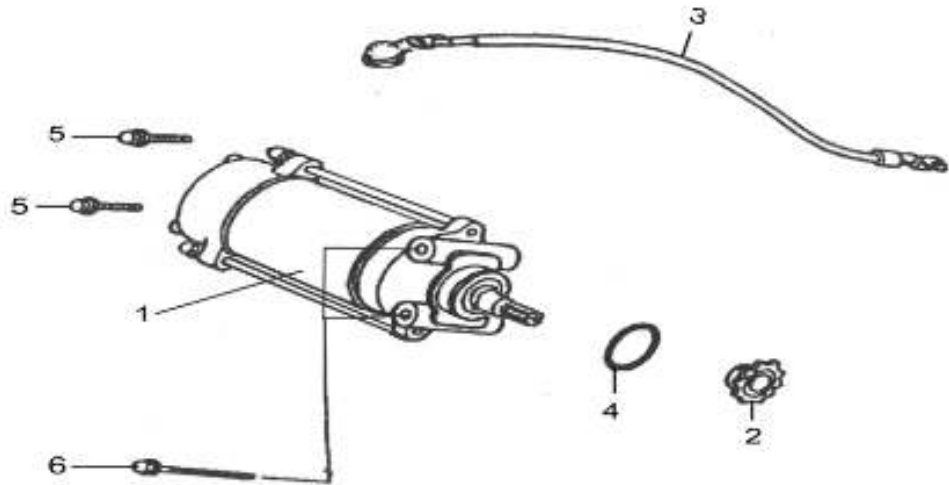
25310-1	Induction Coil	
25310-2	located block??	
25310-3	Magneto Rotor Comp.	
25310-4	Magneto Stator Comp.	
25310-5	Screw M6×20	
25310-6	Induction Coil Clamp	
25310-7	Bolt M5×10	
25310-8	Bolt M10×32.5	
25310-9	Screw M5×28	

E-11 左后盖 LEFT CRANKCASE TAIL COVER



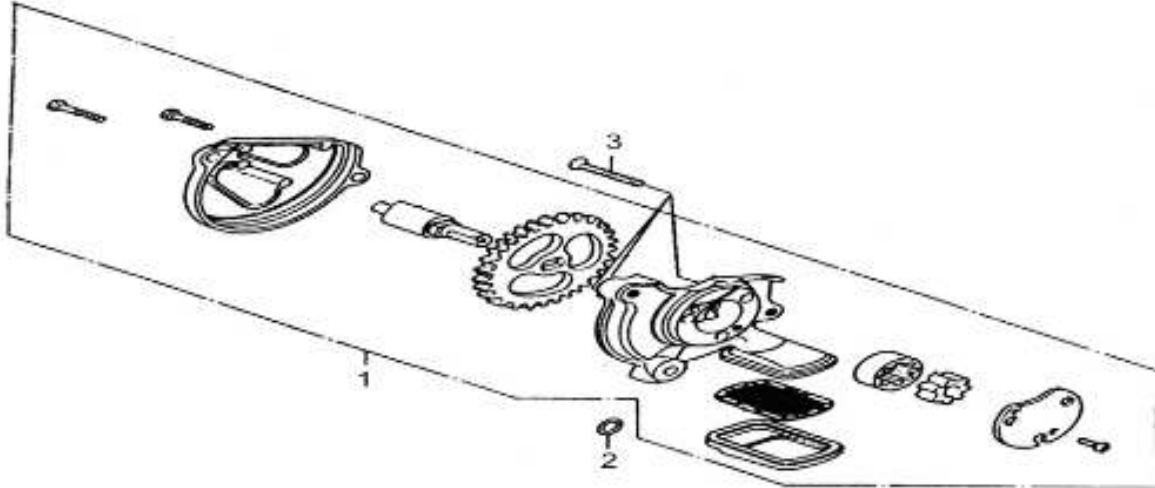
25311-1	Rear Cover, LH	
25311-2	Cushion	
25311-3	Cushion Pressing Plate	
25311-4	Bolt M6×10	
25311-5	Bolt M6×60	
25311-6	Bolt M6×50	

E-12 启动电机 STARTING MOTO



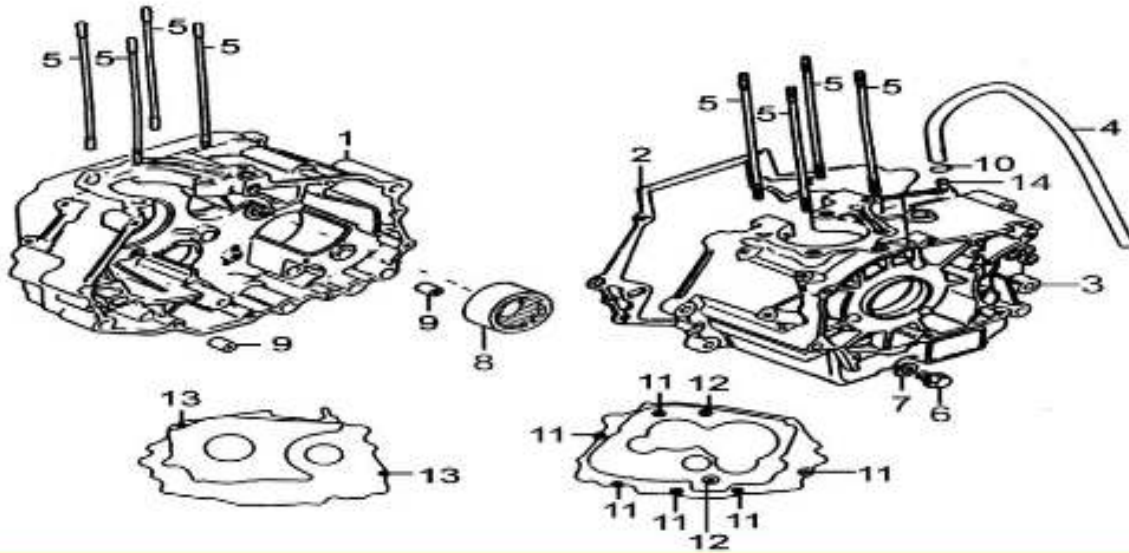
25312-1	Starting Motor Assy	
25312-2	Starting Motor Small Sprocket	
25312-3	Starting Motor Wire Harness	
25312-4	Starting Motor O-Ring	
25312-5	Bolt M6×50	
25312-6	Bolt M6×50	

E-13 机油泵 OIL PUMP

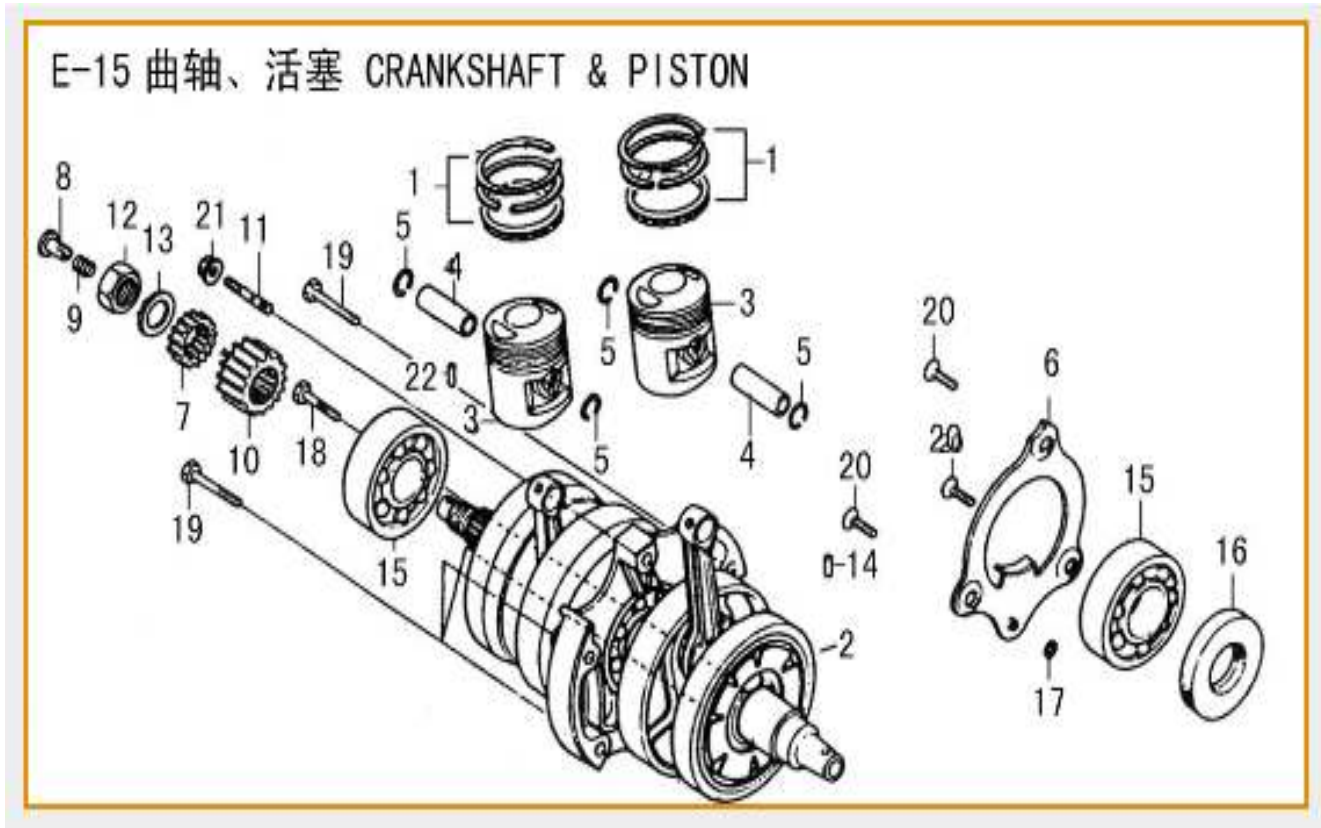


25313-1	Oil Pump Assy	
25313-2	O-ring 6×3	
25313-3	Screw M6×32	

E-14 曲轴箱 CRANKCASE



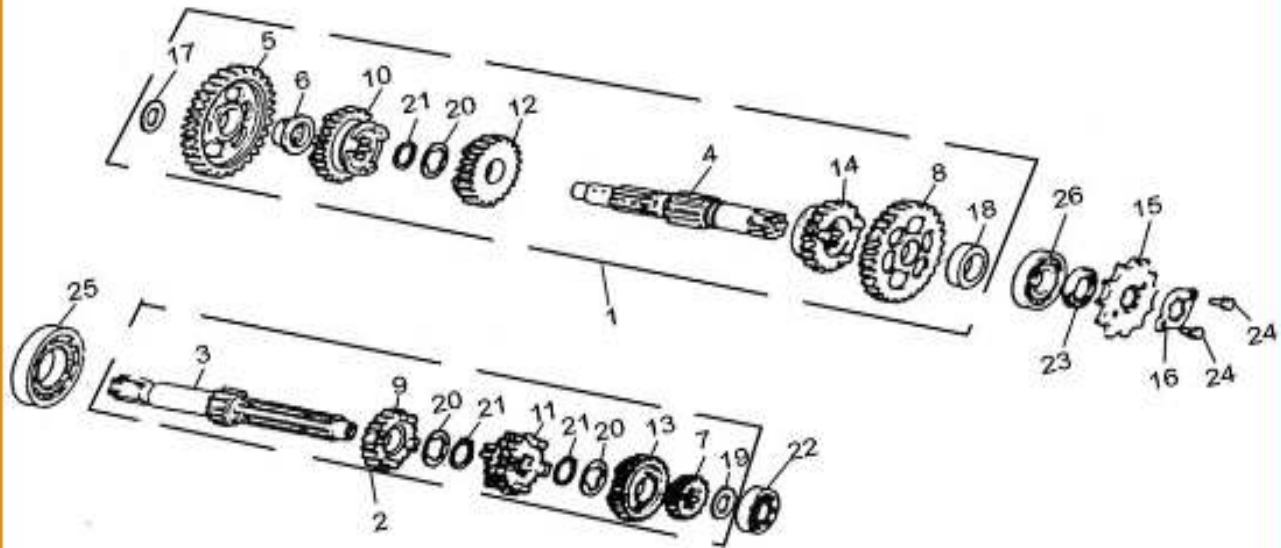
25314-1	Crankcase Comp, RH	
25314-2	Crankcase Gasket	
25314-3	Crankcase Comp., LH	
25314-4	Crankcase Waste Pipe	
25314-5	Cylinder Bolt A	
25314-6	Drain Plug	
25314-7	Drain Plug Washer	
25314-8	Bearing 15×23×12	
25314-9	Crankcase Dowel Pin 12×19	
25314-10	Crankcase Waste Pipe Clip B12	
25314-11	Bolt M6×40	
25314-12	Bolt M6×65	
25314-13	Bolt M6×40	
25314-14	Crankcase Exhaust Nozzle	



25315-1	Piston Ring Set
25315-2	Crankshaft & Connecting Rod
25315-3	Piston
25315-4	Piston Pin
25315-5	Piston Pin Circlip
25315-6	Oil Pan
25315-7	Oil Pump Driving Gear
25315-8	Crankshaft Oil Pipe
25315-9	Crankshaft Oil Pipe Spring
25315-10	Primary Drive Gear
25315-11	Stud Bolt M7×34

25315-12	Primary Drive Gear Locknut
25315-13	Washer
25315-14	Pin 4×4
25315-15	Bearing 6305
25315-16	Crankshaft Oil Seal,LH 35×52×7
25315-17	Oil Pan O-ring 6×3
25315-18	Bolt M6×28
25315-19	Bolt M6×32
25315-20	Screw M6×16
25315-21	Nut M6
25315-22	Pin 2×13.8

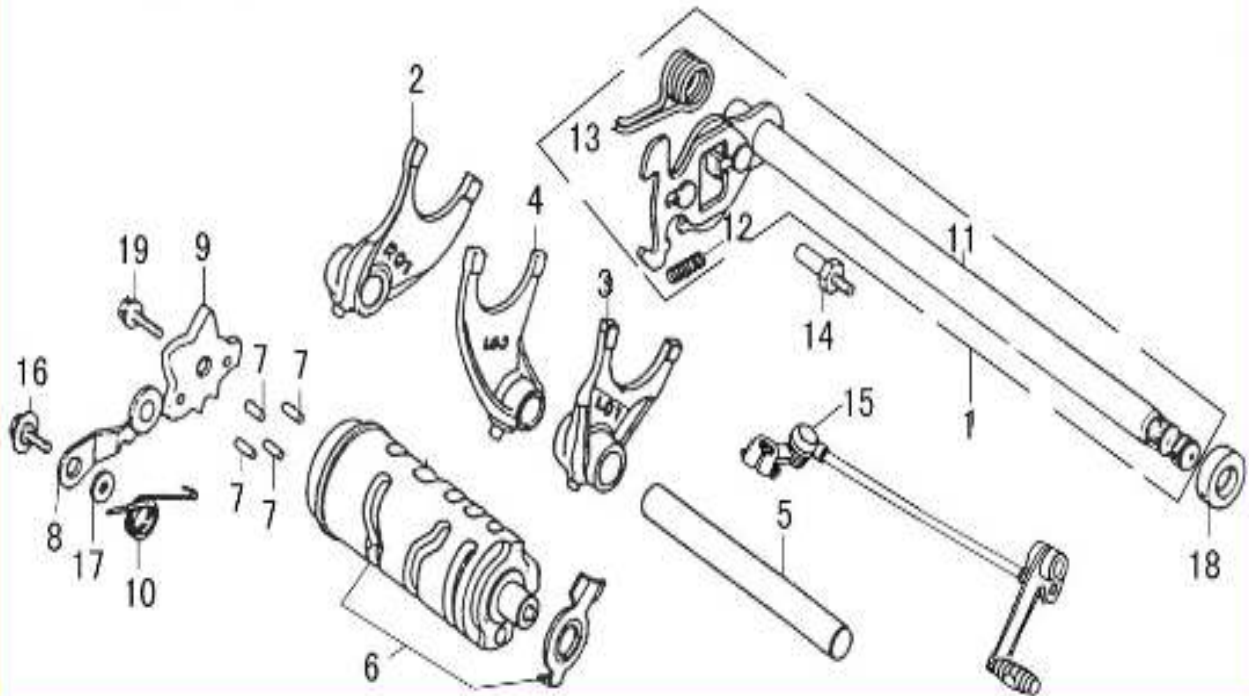
E-16 变速器 TRANSMISSION



25316-1	Countershaft Assy
25316-2	Mainshaft Assy
25316-3	Mainshaft
25316-4	Countershaft
25316-5	Countershaft 1st Gear
25316-6	Countershaft 1st Gear Bush
25316-7	Mainshaft 2nd Gear
25316-8	Countershaft 2nd Gear
25316-9	Mainshaft 3rd Gear
25316-10	Countershaft 3rd Gear
25316-11	Mainshaft 4th Gear
25316-12	Countershaft 4th Gear
25316-13	Mainshaft 5th Gear

25316-14	Countershaft 5th Gear
25316-15	Output Sprocket
25316-16	Output Sprocket Locating Plate
25316-17	Countershaft Washer
25316-18	Bush
25316-19	Mainshaft Washer
25316-20	Mainshaft Spline Washer
25316-21	Spring Circlip 20
25316-22	Bearing 6202
25316-23	Countershaft Oil Seal 22x34x7
25316-24	Bolt M6x10
25316-25	Bearing 6304
25316-26	Bearing 6304

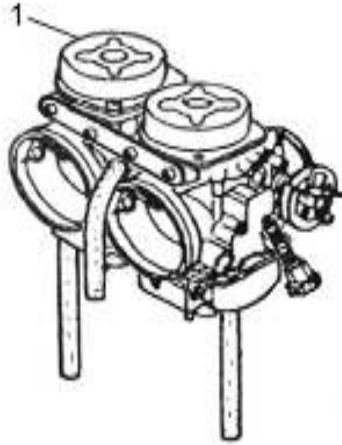
E-17 变档凸轮 GEARSHIFT DRUM



25317-1	Gearshift Shaft Assy
25317-2	Fork
25317-3	Fork ?
25317-4	Fork ?
25317-5	Fork Shaft
25317-6	Gearshift Drum Comp.
25317-7	Gear Indicating Pin
25317-8	Gear Setting Plate Comp.
25317-9	Gearshift Cam
25317-10	Setting Plate Torsion Spring

25317-11	Gearshift Shaft Set
25317-12	Shifter Spring
25317-13	Gearshift Shaft Return Spring
25317-14	Return Spring Set Screw
25317-15	Gearshift Pedal Assy
25317-16	Gear Setting Plate Pin M6×12
25317-17	Gear Setting Plate Washer 6
25317-18	Gearshift Shaft Oil Seal 12×24×10
25317-19	Bolt M6×22

E-18 化油器 CARBURETOR



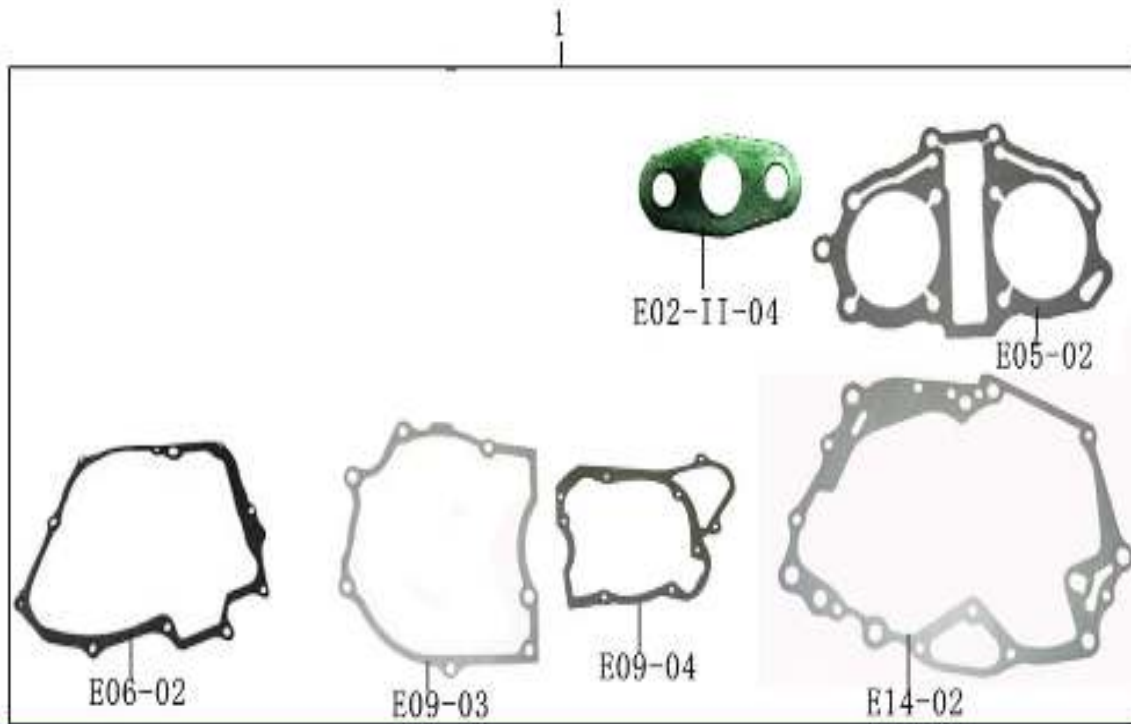
25318-1	Carburetor Assy	
---------	-----------------	--

E-19 电器 ELECTRIC ELEMENTS



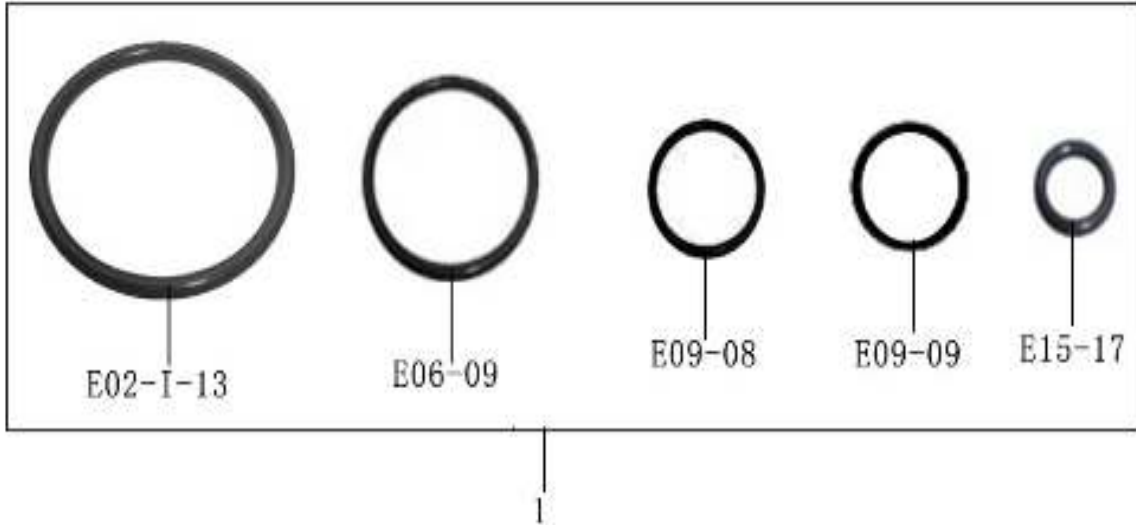
25319-1	Ignition Controller	250421-8
25319-2	Ignition Coil	250421-7
25319-3	Starting Relay	250421-6
25319-4	Voltage Regulator	250421-10

E-20 全套纸垫 A FULL SET OF GASKETS



25320-1	A Full Set Of Gaskets	
---------	-----------------------	--

E-21 全套O形圈 A FULL SET OF O-RINGS



25321-1	A Full Set Of O-Rings	
---------	-----------------------	--

E-22 全套油封 A FULL SET OF OIL SEALS



25322-1	A Full Set Of Oil Seals	
---------	-------------------------	--

E-23 全套轴承 A FULL SET OF BEARINGS



25323-1	A Full Set Of Bearings	
---------	------------------------	--

MIL250-4

Parts Catalog

- ✓ **Always wear a helmet while driving Motorcycles**
- ✓ **Always have your headlights on while driving, even during the day – for safety reasons and longer battery life**
- ✓ **Make sure all lights work properly at all times**
- ✓ **Always drive with Insurance Coverage, Licensed Motorcycle and Motorcycle Driver's License**
- ✓ **Change oil (SAE15W/40SE) after the first 500 KMs and after every 2,000 KMs**
- ✓ **Use Regular Gas**
- ✓ **Always Drive with Awareness for SAFETY.**



Meilun Motorcycle Warranty Policy

Meilun Motorcycles are under 3 months or 2,000 KMs warranty – whichever comes first. Specific items under warranty are:

- The Engine, and its related parts
- Cables, Horn, Switches
- And any other manufacturer's defect on motorcycle.

The following items are ***not*** covered under this warranty:

- Tires, Tubes, Chain & Sprockets
- Covers, Mirrors, Light Lenses, Alarm System
- Battery – unless convincing evidence shows defect
- And any other damages or wear & tear occurring under the owner's care.



ML100-A



ML150-9J



ML125T-26



ML250-4



ML125-5



ML200GY-5



ML125-7



ML150ZH-3