

# ML200GY-5

## Frame & Engine Parts 2013 EDITION



**UNIVERSAL**  
**H A R D W A R E®**

Box 585, Center Road  
Spanish Lookout  
Tel 501 823 0254  
[sales@universalhardware.bz](mailto:sales@universalhardware.bz)

3380 Chetumal Street  
Belize City  
Tel 501 224 4140  
[salesbz@universalhardware.bz](mailto:salesbz@universalhardware.bz)

F-01 前照灯总成 HEADLIGHT ASSY



20051-1BU	Front Fairing - Blue	
20051-1G	Front Fairing - Green	
20051-1R	Front Fairing - Red	
20051-2	Headlight Assy	
20051-3	Bulb,12V 3.4W	
20051-4	Bulb,12V 21W/35W	



20052-1	Headlight Bracket	
20052-2	Meter Assy	
20052-3	Headlight Bulb 12V 1.7W	
20052-4	Clutch Cable	
20052-5	Choke Cable	
20052-6	Throttle Cable	
20052-7	Odometer Cable Comp.	

F-03 握把 开关 GRIP & SWITCH



20053-1	Clutch Lever Comp.	
20053-2	Clutch Lever	
20053-3	Clutch Switch	
20053-4	Grip, LH	
20053-5	Handlebar Switch, LH	
20053-6	Rearview Mirror, LH	
20053-7	Rearview Mirror, RH	
20053-8	Throttle Cable Seat Top Cover	
20053-9	Handlebar Switch, RH	
20053-10	Throttle Slide	
20053-11	Throttle Grip Comp.	
20053-12	Grip Guard, LH	
20053-13	Grip Guard, RH	

F-04 前挡泥板 FRONT FENDER



20054-1BU	Front Fender - Blue	
20054-1G	Front Fender - Green	
20054-1R	Front Fender - Red	
20054-2	Circlip I, Hose	
20054-3	Front Fender Lining	
20054-4	Front Fender Rubber	
20054-5	Front Brake Hose Stay I	



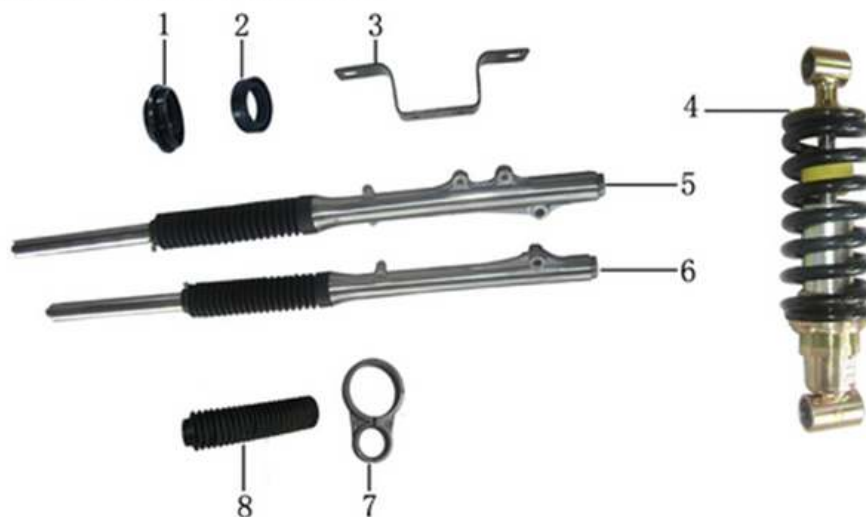
20055-1	Front Hydraulic Brake Assy	
20055-2	Front Brake Switch	
20055-3	Front Brake Switch Wire	
20055-4	Front Brake Lever	
20055-5	Front Disc Brake Pad	
20055-6	Front Brake Disc	

F-06 方向柱组件 STEERING STEM



20056-1	Locknut Steering Stem	
20056-2	Adjusting Washer Steering Stem	
20056-3	Adjusting Nut Steering Stem	
20056-4	Steering Stem Bearing Set	
20056-5	Steering Bar Anticollision Set Strip	
20056-6	Steering Bar Anticollision Set	
20056-7	Steering Bar Pipe Comp.	
20056-8	Steering Stem	
20056-9	Front Reflector	
20056-10	Front Reflector Bracket	
20056-11	Holder Comp, Steering Bar Pipe	
20056-12	Steering Bar Pipe Holder Ornament	
20056-13	Top Steering Stem Connection Board	
20056-14	Choke Cable Stay	

F-07 減震器 SHOCK ABSORBER



20057-1	Dust Cover	
20057-2	Front Shock Absorber Oil Seal	
20057-3	Front License Bracket Comp.	
20057-4	Rear Shock Absorber Assy	
20057-5	Front Shock Absorber, LH	
20057-6	Front Shock Absorber, RH	
20057-7	Odometer Cable Grommet	
20057-8	Dust Guard	



20058-1	Front Wheel Hub Comp.	
20058-2	Tyre 2.75-21	
20058-3	Front Wheel Rim Comp.	
20058-4	Front Wheel Rim	
20058-5	Front Tyre Flap	
20058-6	Tube 2.75-21	
20058-7	Front Wheel Inner Spoke Comp.	
20058-8	Front Wheel Outer Spoke Comp.	
20058-9	Front Axle	
20058-10	Front Wheel Left Bush	
20058-11	Speedometer Gear Box	
20058-12	Front Wheel Inner Sleeve	
20058-13	Bearing LH & RH 6301	



20059-1	Inner Spoke
20059-2	Outer Spoke
20059-3	Rear Tyre 4.10-18-4PR
20059-4	Rear Wheel Rim Comp 1.85-18
20059-5	Rear Wheel Rim
20059-6	Rear Tyre Flap
20059-7	Rear Tube
20059-8	Rear Wheel Hub
20059-9	Sprocket
20059-10	Collar 58
20059-11	Rear Axle
20059-12	Rear Wheel Bush, RH

20059-13	Rear Wheel Dust Ring, LH	
20059-14	Rear Brake Shoe	
20059-15	Rear Brake	
20059-16	Damping Sleeve	
20059-17	Cam, Rear Brake	1509-17
20059-18	Rear Brake Hub Bolt	1509-18
20059-19	Rear Sprocket Bolt	
20059-20	Rear Sprocket Nut	
20059-21	Rear Wheel Bearing	
20059-22	Sleeve, Inner Rear Wheel	
20059-23	Dust Ring (Seal), Rear Wheel Hub	



<b>200510-1</b>	<b>Locking Set</b>	
<b>200510-2BU</b>	<b>Fuel Tank Ornament, LH - Blue</b>	
<b>200510-2G</b>	<b>Fuel Tank Ornament, LH - Green</b>	
<b>200510-2R</b>	<b>Fuel Tank Ornament, LH - Red</b>	
<b>200510-3BU</b>	<b>Fuel Tank Ornament, RH - Blue</b>	
<b>200510-3G</b>	<b>Fuel Tank Ornament, RH - Green</b>	
<b>200510-3R</b>	<b>Fuel Tank Ornament, RH - Red</b>	
<b>200510-4</b>	<b>Fuel Tank Comp.</b>	
<b>200510-5</b>	<b>Fuel Cock Comp.</b>	



200511-1	Windshield Socket, RH	
200511-2	Windshield Socket, LH	
200511-3	Front Fairing Socket Rubber	
200511-4	Windshield Spring	
200511-5	Windshield, LH	
200511-6	Windshield, RH	



200512-1	Right Side Guard	
200512-2	Side Cover, RH	
200512-3	Right Rear Panel	
200512-4	Left Side Guard	
200512-5	Side Cover, LH	
200512-6	Special Cover Screw M6x20	



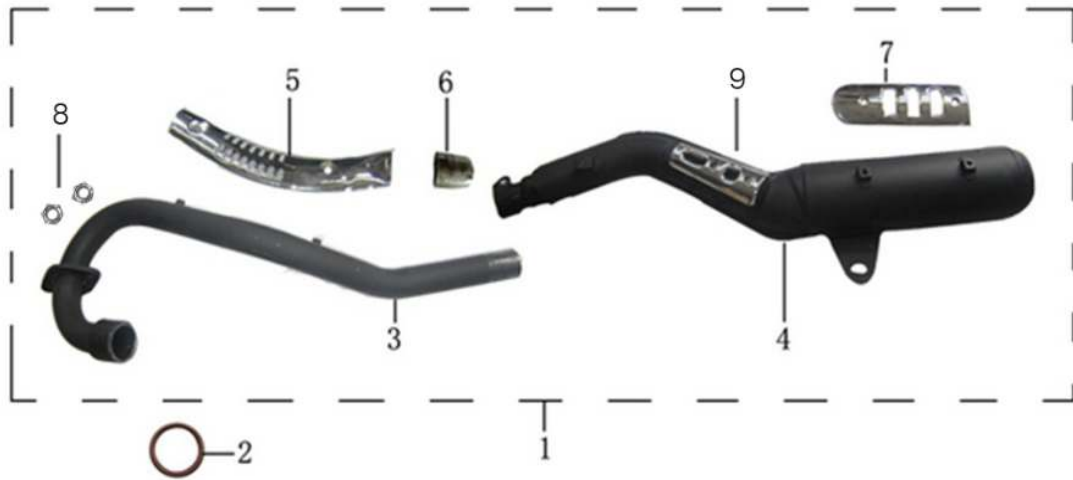
200513-1BU	Seat Assy Blue	
200513-1G	Seat Assy Green	
200513-1R	Seat Assy Red	
200513-2	Rear Shock Absorber Gasket	
200513-3	Rear Carrier Weldment	
200513-4	Drawstring	
200513-5	Tool Box	
200513-6	Tool Kit	

F-14 空气滤清器总成 AIR CLEANER ASSY



200514-1	Air Cleaner Assy	
200514-2	Air Cleaner Rubber	
200514-3	Air Clean Filter Set	

F-15 排气消声器总成 EXHAUST MUFFLER ASSY



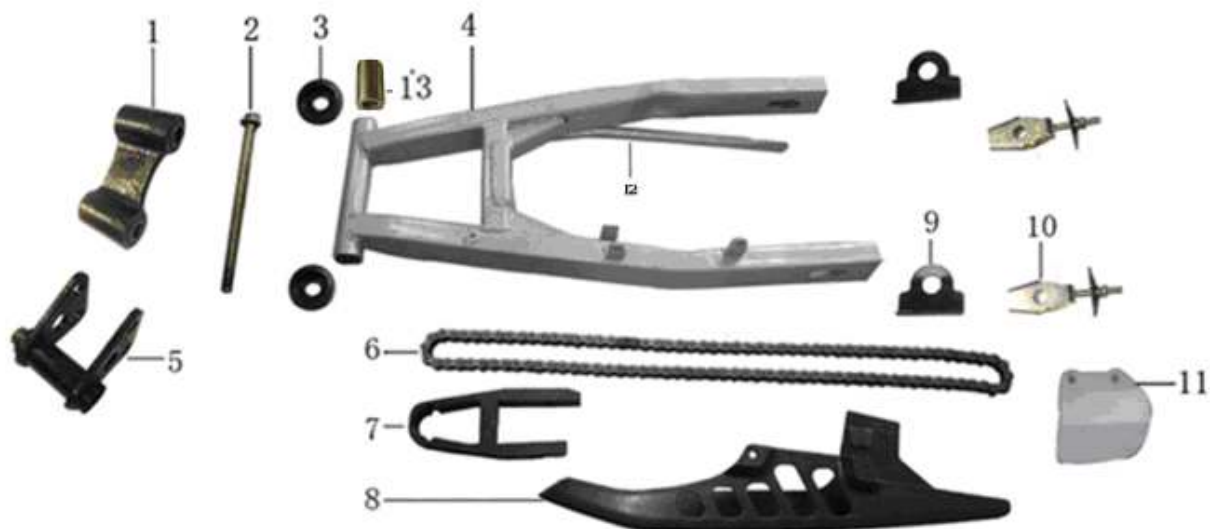
200515-1	Exhaust Muffler Comp.	
200515-2	Gasket, Exhaust Muffler	
200515-3	Muffler Pipe	
200515-4	Exhaust Muffler	
200515-5	Muffler Pipe Hood	
200515-6	Gasket	
200515-7	Muffler Guard	
200515-8	Muffler Nuts	
200515-9	Plate Muffler Protection	

F-16 后制动踏板 搁脚 REAR BRAKE FOOTPLATE & FOOTRESTS



200516-1	Rider Footrest Comp., LH	
200516-2	Rider Footrest Comp., RH	
200516-3	Passenger Footrest Comp., LH	
200516-4	Passenger Footrest Comp., RH	
200516-5	Rear Brake Switch Spring	
200516-6	Rear Brake Switch	
200516-7	Spring, Rear Brake Pedal	
200516-8	Rear Brake Pull-Rod	
200516-9	Rear Brake Pedal Comp.	
200516-10	Side Stand Spring	
200516-11	Side Stand Comp.	

F-17 后叉焊接组合 链盒 REAR FORK & CHAINCASE



200517-1	Rear Shock Absorber Rocker Pull-Rod Comp.	
200517-2	Rear Fork Shaft	
200517-3	Dust Cover	
200517-4	Rear Fork Assy	
200517-5	Rear Shock Absorber Rocker Comp.	
200517-6	Chain (08MCH) 30T	
200517-7	Chain Guide	
200517-8	Top Chaincase	
200517-9	Chain Adjuster Setting Plate	
200517-10	Chain Adjuster Set	
200517-11	Chaincase Stopper Set	
200517-12	Rear Brake Limit Bar	
200517-13	Rear Fork Bushing	

F-18 后挡泥板 REAR FENDER



200518-1	Front Fender Front Body Rubber	
200518-2	Rear Fender Mid Body	
200518-3	Rear Fender Rear Body	
200518-4	Rear License Soleplate	
200518-5	Reflector Rear	

F-19 转向灯 尾灯 WINKER TAILLIGHT

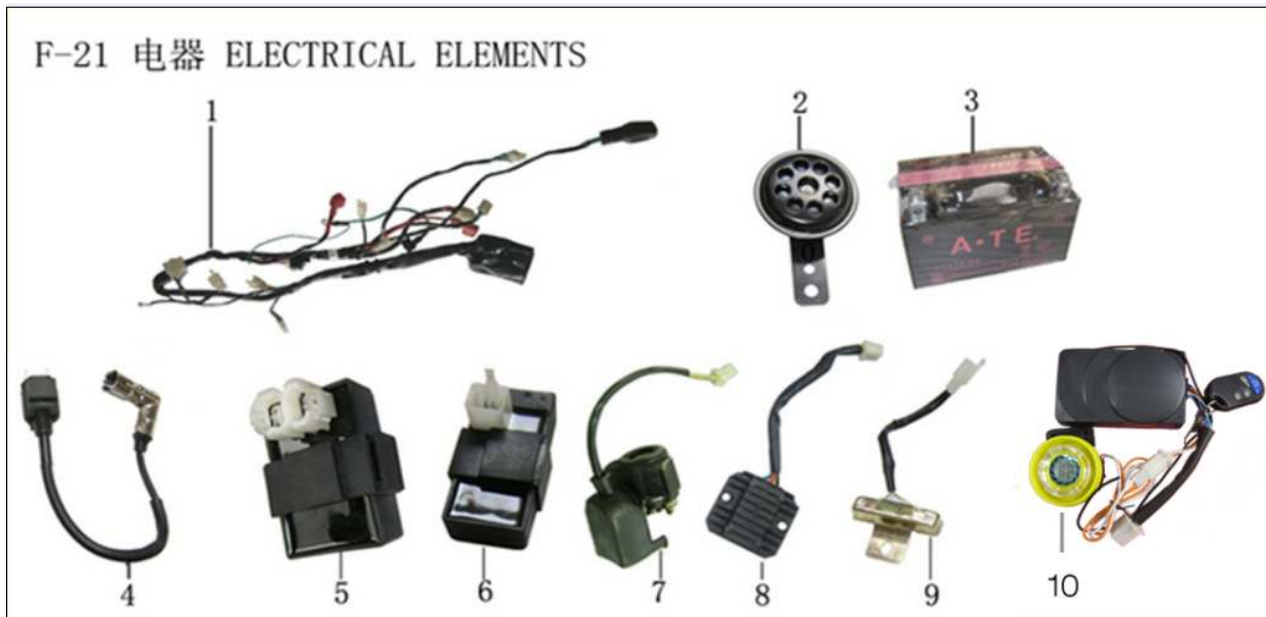


200519-1	Front Winker, RH	
200519-2	Front Winker, LH	
200519-3	Bulb,12V18W	
200519-4	Rear Winker, RH	
200519-5	Rear Winker, LH	
200519-6	Taillight Assy	
200519-7	Bulb,12V 21W/5W	

F-20 车架焊接总成 FRAME BODY WELDMENT



200520-1	Engine Front Connecting Plate	
200520-2	Engine lower guard	
200520-3	Frame Weldment	
200520-4	Front Fairing Bracket	
200520-5	Engine Top Left Suspension Plate	
200520-6	Battery Stay Comp.	
200520-7	Battery Band	



200521-1	Main Cable	
200521-2	Horn	
200521-3	Battery 7AH	
200521-4	Ignition Coil	
200521-5	Ignition Controller	
200521-6	Flashing Relay	
200521-7	Starting Relay	
200521-8	Voltage Regulator	
200521-9	Bleeding Resistor	
200521-10	Alarm Assy	



<b>Meilun Wheel Bearing Specification</b>				
Sorted by Bike Model				
<b>Bike Model</b>	Description	Bearing #	Part #	
ML100-A	Front Wheel Right Bearing	<b>6300</b>	<b>1009-13</b>	
ML100-A	Front Wheel Left Bearing	<b>6300</b>	<b>1009-13</b>	
ML100-A	Rear Wheel Right Bearing	<b>6301</b>	<b>10010-18</b>	
ML100-A	Rear Wheel Left Bearing	<b>6301</b>	<b>10010-18</b>	
<b>ML100-A</b>	Rear Sprocket Hub Bearing	<b>6203</b>	<b>10010-19</b>	
ML125-5	Front Wheel Right Bearing	<b>6301</b>	<b>12557-21</b>	
ML125-5	Front Wheel Left Bearing	<b>6301</b>	<b>12557-21</b>	
ML125-5	Rear Wheel Right Bearing	<b>6202</b>	<b>12559-16</b>	
ML125-5	Rear Wheel Left Bearing	<b>6302</b>	<b>12559-20</b>	
ML125-7	Front Wheel Right Bearing	<b>6301</b>	<b>12577-16</b>	
ML125-7	Front Wheel Left Bearing	<b>6301</b>	<b>12577-16</b>	
ML125-7	Rear Wheel Right Bearing	<b>6302</b>	<b>12578-13</b>	
ML125-7	Rear Wheel Left Bearing	<b>6202</b>	<b>12578-15</b>	
<b>ML125-7</b>	Rear Sprocket Hub Bearing	<b>6204</b>	<b>12578-14</b>	
ML125T-26	Front Wheel Right Bearing	<b>6301</b>	<b>125269-12</b>	
ML125T-26	Front Wheel Left Bearing	<b>6301</b>	<b>125269-12</b>	
ML125T-26	Rear Wheel Right Bearing	<b>6203</b>	<b>1252610-7</b>	
ML125T-26	Rear Wheel Left Bearing	<b>6203</b>	<b>1252610-7</b>	
ML150-9J	Front Wheel Right Bearing	<b>6301</b>	<b>15098-9</b>	
ML150-9J	Front Wheel Left Bearing	<b>6301</b>	<b>15098-9</b>	
ML150-9J	Rear Wheel Right Bearing	<b>6302</b>	<b>15099-11</b>	
ML150-9J	Rear Wheel Left Bearing	<b>6202</b>	<b>15099-12</b>	
<b>ML150-9J</b>	Rear Sprocket Hub Bearing	<b>6204</b>	<b>15099-13</b>	
ML150GY-3A	Front Wheel Right Bearing	<b>6301</b>	<b>20058-13</b>	
ML150GY-3A	Front Wheel Left Bearing	<b>6301</b>	<b>20058-13</b>	
ML150GY-3A	Rear Wheel Right Bearing	<b>6302</b>	<b>20059-21</b>	
ML150GY-3A	Rear Wheel Left Bearing	<b>6302</b>	<b>20059-21</b>	
ML150ZH-3	Front Wheel Right Bearing	<b>6304</b>	<b>31508-13</b>	
ML150ZH-3	Front Wheel Left Bearing	<b>6304</b>	<b>31508-13</b>	
ML150ZH-3	Rear Wheel Right Bearing		<b>N/A</b>	
ML150ZH-3	Rear Wheel Left Bearing		<b>N/A</b>	
ML200GY-5	Front Wheel Right Bearing	<b>6301</b>	<b>20058-13</b>	
ML200GY-5	Front Wheel Left Bearing	<b>6301</b>	<b>20058-13</b>	
ML200GY-5	Rear Wheel Right Bearing	<b>6302</b>	<b>20059-21</b>	
ML200GY-5	Rear Wheel Left Bearing	<b>6302</b>	<b>20059-21</b>	
ML250-4	Front Wheel Right Bearing	<b>6202</b>	<b>25047-8</b>	
ML250-4	Front Wheel Left Bearing	<b>6202</b>	<b>25047-8</b>	
ML250-4	Rear Wheel Right Bearing	<b>6302</b>	<b>25048-15</b>	
ML250-4	Rear Wheel Left Bearing	<b>6202</b>	<b>25048-16</b>	
<b>ML250-4</b>	Rear Sprocket Hub Bearing	<b>6004</b>	<b>25048-17</b>	

<b>Meilun Wheel Bearing Specification</b>				
Sorted by Bearing #				
Bike Model	Description	Bearing #	Part #	
<b>ML250-4</b>	Rear Sprocket Hub Bearing	<b>6004</b>	<b>25048-17</b>	
ML125-5	Rear Wheel Right Bearing	<b>6202</b>	<b>12559-16</b>	
ML125-7	Rear Wheel Left Bearing	<b>6202</b>	<b>12578-15</b>	
ML150-9J	Rear Wheel Left Bearing	<b>6202</b>	<b>15099-12</b>	
ML250-4	Front Wheel Right Bearing	<b>6202</b>	<b>25047-8</b>	
ML250-4	Front Wheel Left Bearing	<b>6202</b>	<b>25047-8</b>	
ML250-4	Rear Wheel Left Bearing	<b>6202</b>	<b>25048-16</b>	
<b>ML100-A</b>	Rear Sprocket Hub Bearing	<b>6203</b>	<b>10010-19</b>	
ML125T-26	Rear Wheel Right Bearing	<b>6203</b>	<b>1252610-7</b>	
ML125T-26	Rear Wheel Left Bearing	<b>6203</b>	<b>1252610-7</b>	
<b>ML125-7</b>	Rear Sprocket Hub Bearing	<b>6204</b>	<b>12578-14</b>	
<b>ML150-9J</b>	Rear Sprocket Hub Bearing	<b>6204</b>	<b>15099-13</b>	
ML100-A	Front Wheel Right Bearing	<b>6300</b>	<b>1009-13</b>	
ML100-A	Front Wheel Left Bearing	<b>6300</b>	<b>1009-13</b>	
ML100-A	Rear Wheel Right Bearing	<b>6301</b>	<b>10010-18</b>	
ML100-A	Rear Wheel Left Bearing	<b>6301</b>	<b>10010-18</b>	
ML125-5	Front Wheel Right Bearing	<b>6301</b>	<b>12557-21</b>	
ML125-5	Front Wheel Left Bearing	<b>6301</b>	<b>12557-21</b>	
ML125-7	Front Wheel Right Bearing	<b>6301</b>	<b>12577-16</b>	
ML125-7	Front Wheel Left Bearing	<b>6301</b>	<b>12577-16</b>	
ML125T-26	Front Wheel Right Bearing	<b>6301</b>	<b>125269-12</b>	
ML125T-26	Front Wheel Left Bearing	<b>6301</b>	<b>125269-12</b>	
ML150-9J	Front Wheel Right Bearing	<b>6301</b>	<b>15098-9</b>	
ML150-9J	Front Wheel Left Bearing	<b>6301</b>	<b>15098-9</b>	
ML150GY-3A	Front Wheel Right Bearing	<b>6301</b>	<b>20058-13</b>	
ML150GY-3A	Front Wheel Left Bearing	<b>6301</b>	<b>20058-13</b>	
ML200GY-5	Front Wheel Right Bearing	<b>6301</b>	<b>20058-13</b>	
ML200GY-5	Front Wheel Left Bearing	<b>6301</b>	<b>20058-13</b>	
ML125-5	Rear Wheel Left Bearing	<b>6302</b>	<b>12559-20</b>	
ML125-7	Rear Wheel Right Bearing	<b>6302</b>	<b>12578-13</b>	
ML150-9J	Rear Wheel Right Bearing	<b>6302</b>	<b>15099-11</b>	
ML150GY-3A	Rear Wheel Right Bearing	<b>6302</b>	<b>20059-21</b>	
ML150GY-3A	Rear Wheel Left Bearing	<b>6302</b>	<b>20059-21</b>	
ML200GY-5	Rear Wheel Right Bearing	<b>6302</b>	<b>20059-21</b>	
ML200GY-5	Rear Wheel Left Bearing	<b>6302</b>	<b>20059-21</b>	
ML250-4	Rear Wheel Right Bearing	<b>6302</b>	<b>25048-15</b>	
ML150ZH-3	Front Wheel Right Bearing	<b>6304</b>	<b>31508-13</b>	
ML150ZH-3	Front Wheel Left Bearing	<b>6304</b>	<b>31508-13</b>	
ML150ZH-3	Rear Wheel Right Bearing		<b>N/A</b>	
ML150ZH-3	Rear Wheel Left Bearing		<b>N/A</b>	

# 163FM2-2M

## Balanced Engine Parts ML200GY-5



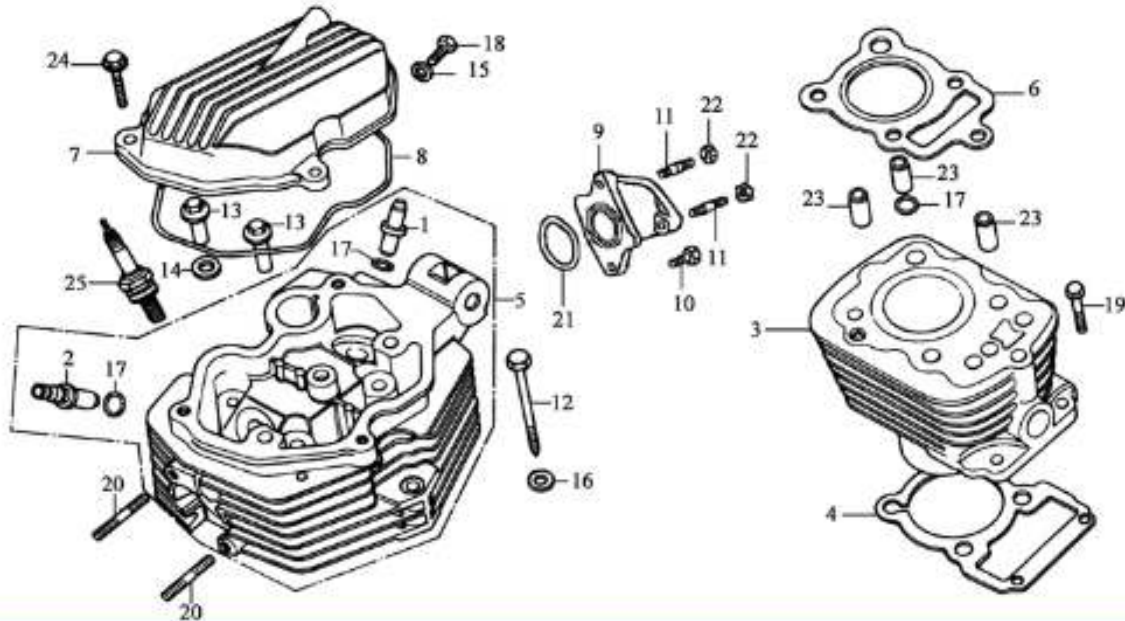
# UNIVERSAL

**H A R D W A R E**®

Box 585, Center Road  
Spanish Lookout  
Tel 501 823 0254  
[sales@universalhardware.bz](mailto:sales@universalhardware.bz)

3380 Chetumal Street  
Belize City  
Tel 501 224 4140  
[salesbz@universalhardware.bz](mailto:salesbz@universalhardware.bz)

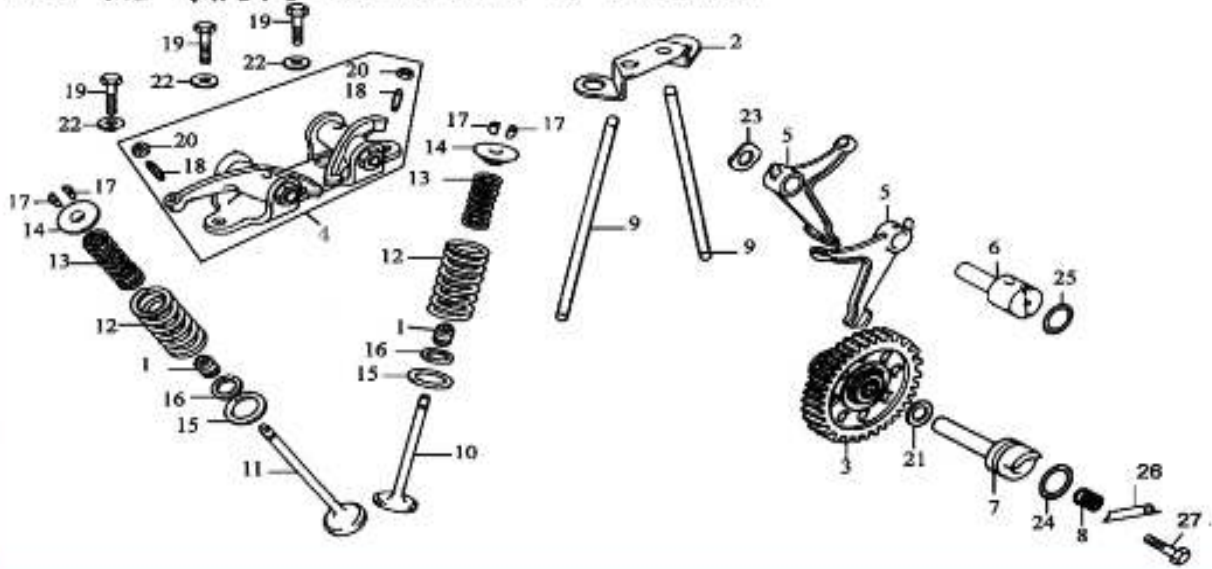
E-1 气缸体、气缸头 Cylinder Block & Cylinder Head



1631-1	Intake Valve Guide
1631-2	Exhaust Valve Guide
1631-3	Cylinder Block Comp.
1631-4	Cylinder Block Gasket
1631-5	Cylinder Head Comp.
1631-6	Cylinder Head Gasket
1631-7	Cylinder Head Cover
1631-8	Cylinder Head Cover Gasket
1631-9	Intake Pipe Set
1631-10	Bolt M6x20
1631-11	Stud M6x22
1631-12	Stud M8x77
1631-13	Cap Nut

1631-14	Cylinder Bolt Steel Washer
1631-15	Cylinder Head Cover Oil Passage Washer 6
1631-16	Cylinder Head Washer lif8
1631-17	O-Ring,Guide
1631-18	Bolt M6x12
1631-19	Bolt M6x22
1631-20	Bolt M6x35
1631-21	Inlet Pipe O-Ring 33.5x3
1631-22	Nut M6
1631-23	Cylinder Head Dowel Pin 10x20
1631-24	Bolt M6x28
1631-25	Spark Plug(D8ea Ngk)

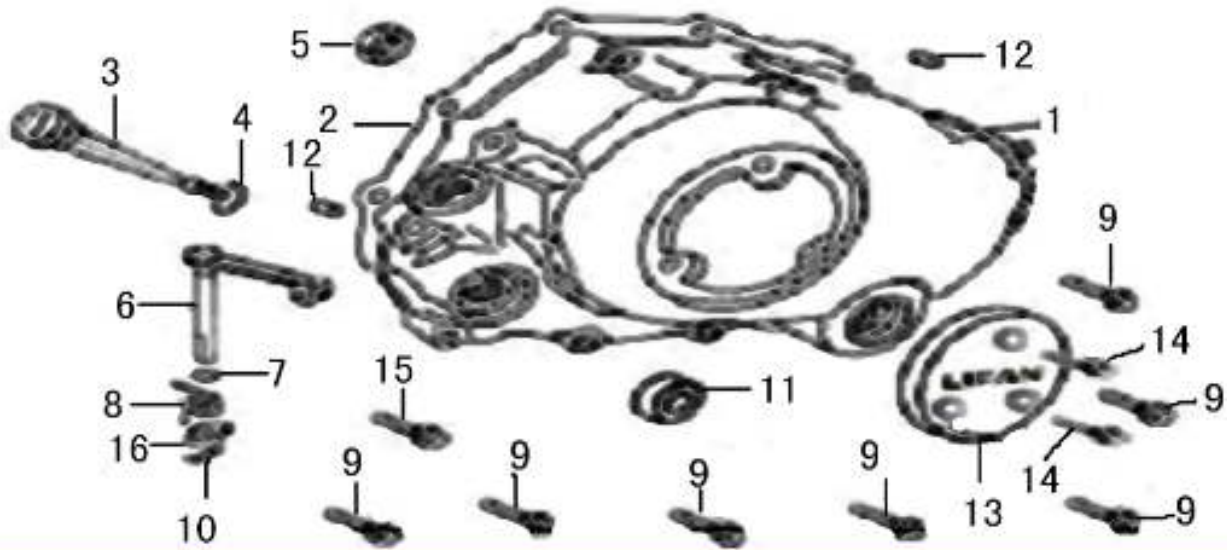
## E-2 配气机构 Camshaft & Valves



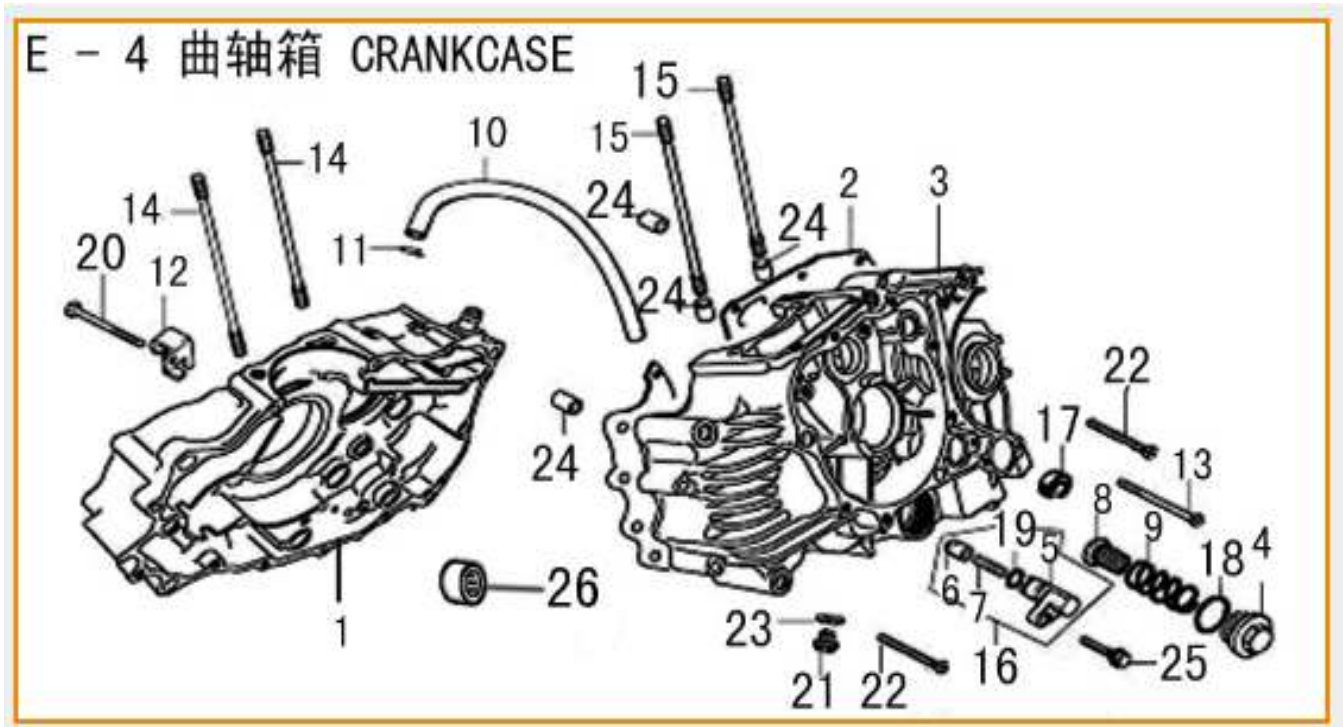
1632-1	Valve Stem Oil Seal
1632-2	Push Rod Support
1632-3	Timing Driven Gear
1632-4	Rocker Arm Bracket Comp.
1632-5	Lower Rocker Arm
1632-6	Lower Rocker Arm Shaft
1632-7	Camshaft
1632-8	Camshaft Spring
1632-9	Push Rod
1632-10	Intake Valve
1632-11	Exhaust Valve
1632-12	Valve Outer Spring,
1632-13	Valve Inner Spring
1632-14	Valve Spring Retainer

1632-15	Valve Outer Spring Seat
1632-16	Valve Inner Spring Seat
1632-17	Valve Split Cone
1632-18	Valve Adjusting Screw
1632-19	Bolt M8x28
1632-20	Valve Clearance Adjusting Nut
1632-21	Camshaft Washer
1632-22	Rocker Shaft Washer
1632-23	Lower Rocker Wavy Washer
1632-24	Camshaft O-Ring 20x2.5
1632-25	Lower Rocker O-Ring 17x2.5
1632-26	Camshaft Stopper
1632-27	Bolt M6x12

E-3 右曲轴箱盖 RIGHT CRANKCASE COVER

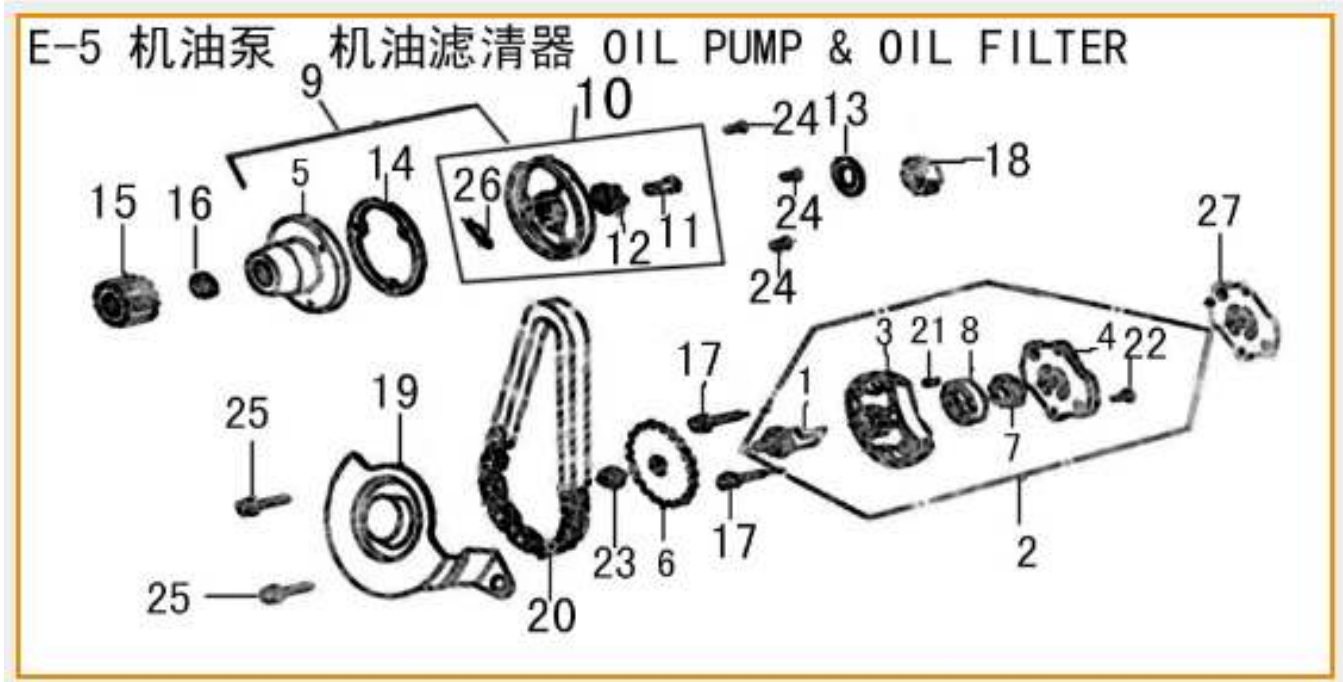


1633-1	Crankcase Cover,RH	
1633-2	Crankcase Cover Gasket, RH	
1633-3	Dipstick	
1633-4	Dipstick O-Ring, 18×3	
1633-5	Sight Glass	
1633-6	Clutch Lever Comp.	
1633-7	Clutch Lever O-Ring	
1633-8	Clutch Lever Spring	
1633-9	Screw, M6×40	
1633-10	Clutch Lever Pin	
1633-11	Oil Seal, 16×28×7	
1633-12	Crankcase Cover Dowel Pin RH 8×14	
1633-13	Small Lid, RH	
1633-14	Screw, M6×8	
1633-15	Screw, M6×50	
1633-16	Clutch Separating Cam	



1634-1	Crankcase Comp.,RH
1634-2	Crankcase Gasket
1634-3	Crankcase Comp.,LH
1634-4	Oil Filter Screen Cover
1634-5	Pin-Keeping Body
1634-6	Pin-Keeping
1634-7	Pin-Keeping Spring
1634-8	Oil Filter Screen
1634-9	Oil Filter Screen Spring
1634-10	Crankcase Waste Pipe
1634-11	Crankcase Waste Pipe Clip
1634-12	Clutch Cable Adjusting Stay
1634-13	Bolt, M6×95

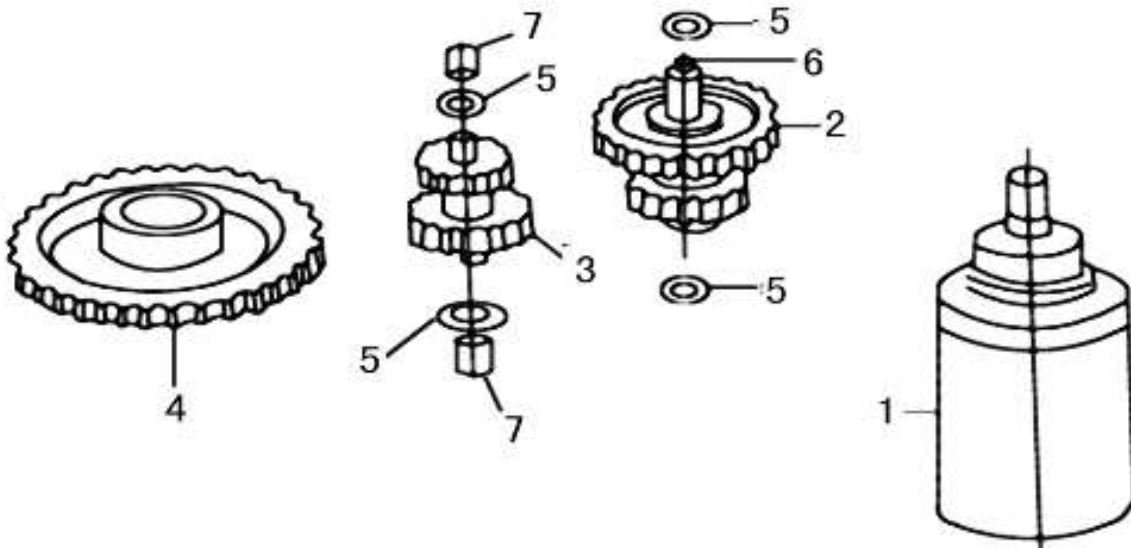
1634-14	Stud A
1634-15	Stud B
1634-16	Pin-Keeping Body Comp.
1634-17	Gearshift Shaft Oil Seal, 14×28×7
1634-18	Oil Filter Cover O-Ring, 35.5×3
1634-19	Crankcase O-Ring, LH 13×2.5
1634-20	Bolt, M6×55
1634-21	Drain Plug
1634-22	Bolt, M6×50
1634-23	Drain Plug Washer
1634-24	Crankcase Dowel Pin, 10×14
1634-25	Bolt, M6×20
1634-26	Needle Bearing 212810



1635-1	Oil Pump Shaft
1635-2	Oil Pump Assy
1635-3	Oil Pump Body
1635-4	Oil Pump Cover
1635-5	Oil Filter Rotator Comp.
1635-6	Oil Pump Driven Gear
1635-7	Oil Pump Inner Rotor
1635-8	Oil Pump Outer Rotor
1635-9	Oil Filter Assy
1635-10	Filter Cover
1635-11	Crankshaft Oil Pipe
1635-12	Crankshaft Oil Pipe Spring
1635-13	Primary Drive Gear Thrust Washer
1635-14	Oil Filter Cover Gasket

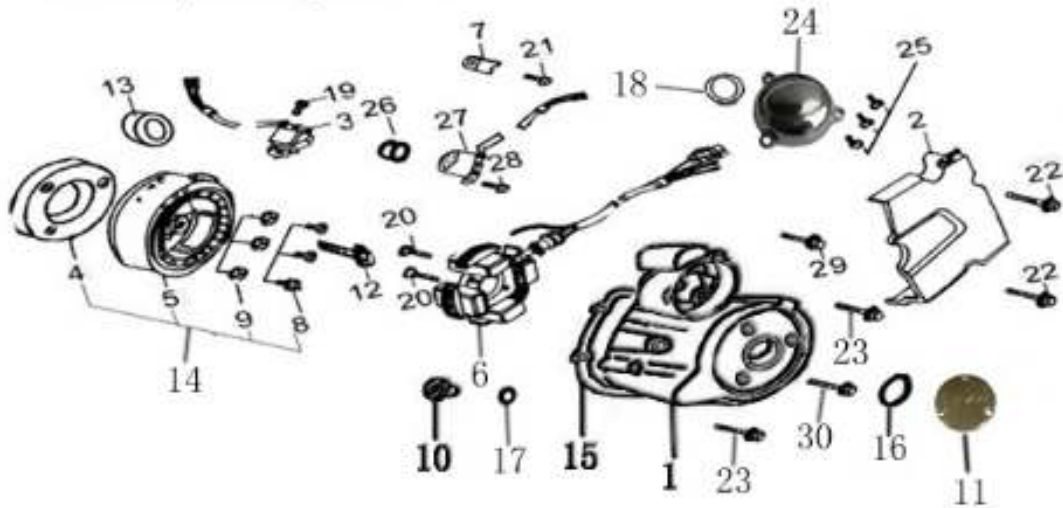
1635-15	Primary Drive Gear
1635-16	Oil Pump Driving Gear
1635-17	Bolt, M6×35
1635-18	Primary Drive Gear Locknut
1635-19	Oil Pump Chain Limiter
1635-20	Oil Pump Chain
1635-21	Oil Pump Dowel Pin
1635-22	Screw, M3×8
1635-23	Nut, M6
1635-24	Screw, M5×12
1635-25	Bolt, M6×12
1635-26	Oil Filter Snap Ring
1635-27	Oil Pump Gasket

**E-6 起动电机 Starting Motor**



1636-1	Starting Motor Assy	
1636-2	Dual-Gear Comp.1	
1636-3	Dual-Gear Comp. II	
1636-4	Starting Clutch Gear Comp.	
1636-5	Dual-Gear Washer	
1636-6	Dual-Gear Shaft Comp.	
1636-7	Needle Bearing Hk101410	

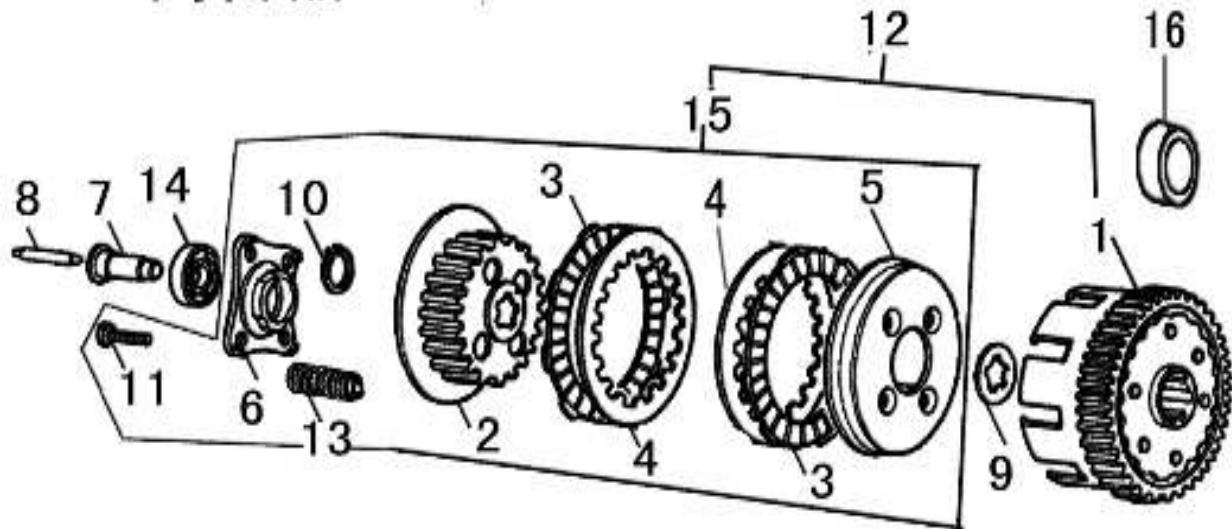
E-7 磁电机 Magneto



1637-1	Crankcase Cover, LH
1637-2	Rear Cover, LH
1637-3	Induction Coil
1637-4	Starting Clutch Assy
1637-5	Magneto Rotor Comp.
1637-6	Magneto Stator Comp.
1637-7	Magneto Wire Clip
1637-8	Screw M8x30
1637-9	Spring Washer F8
1637-10	View Hole Plug
1637-11	Small Lid, RH
1637-12	Locknut, Magneto
1637-13	Crankshaft Oil Seal,LH(50x34x7)
1637-14	Magneto Rotor Assy
1637-15	Crankcase Cover Gasket,LH

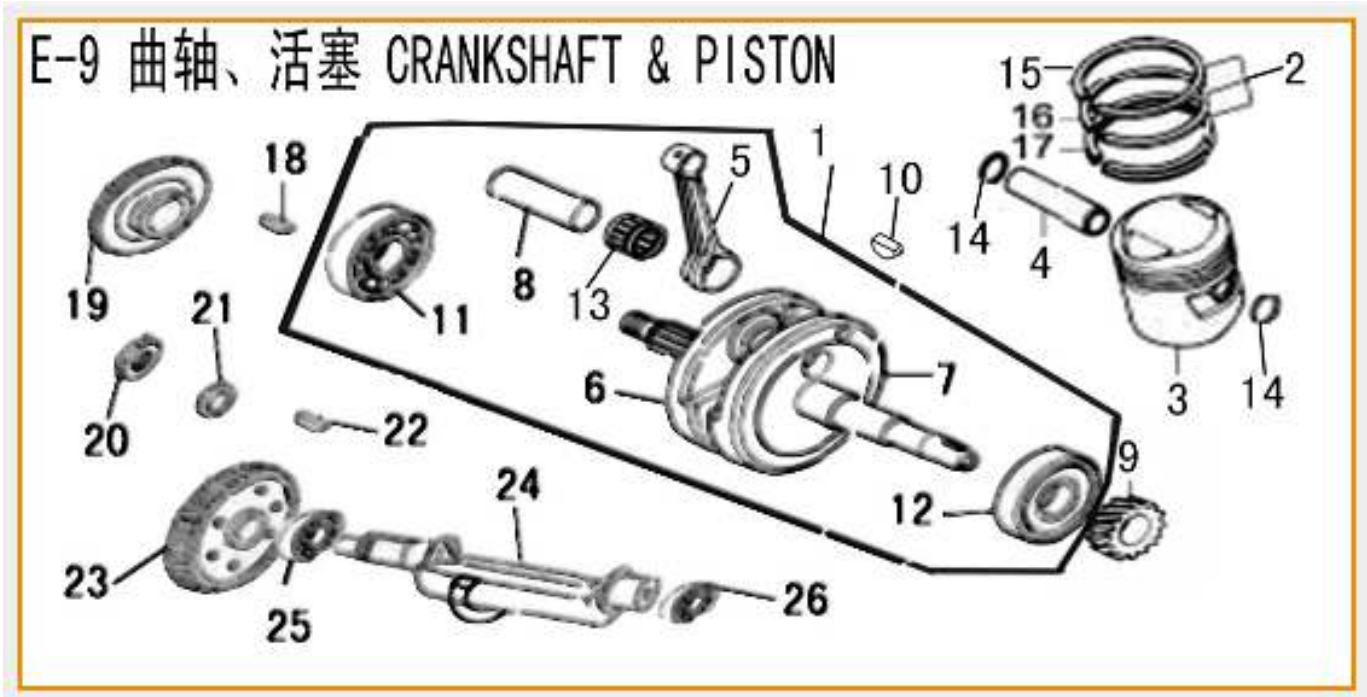
1637-16	Plug O-Ring 27.5x2.5
1637-17	Watch Hole Plug O-Ring 13.8x2.5
1637-18	O-Ring 63x3
1637-19	Screw M5x16
1637-20	Screw M5x30
1637-21	Bolt M6x12
1637-22	Bolt M6x28
1637-23	Bolt M6x40
1637-24	Idler Cover
1637-25	Screw M6x20
1637-26	Neutral Indicator Oil Seal
1637-27	Indicator, Gear
1637-28	Bolt M6x12
1637-29	Bolt M6x25
1637-30	Bolt M6x50

## E-8 离合器 Clutch



1638-1	Drive Disc Set
1638-2	Driven Disc Set
1638-3	Drive Plates
1638-4	Driven Plates
1638-5	Clutch Pressure Plate
1638-6	Clutch Lifter Plate
1638-7	Clutch Pusher
1638-8	Clutch Mandrel
1638-9	Clutch Spline Washer

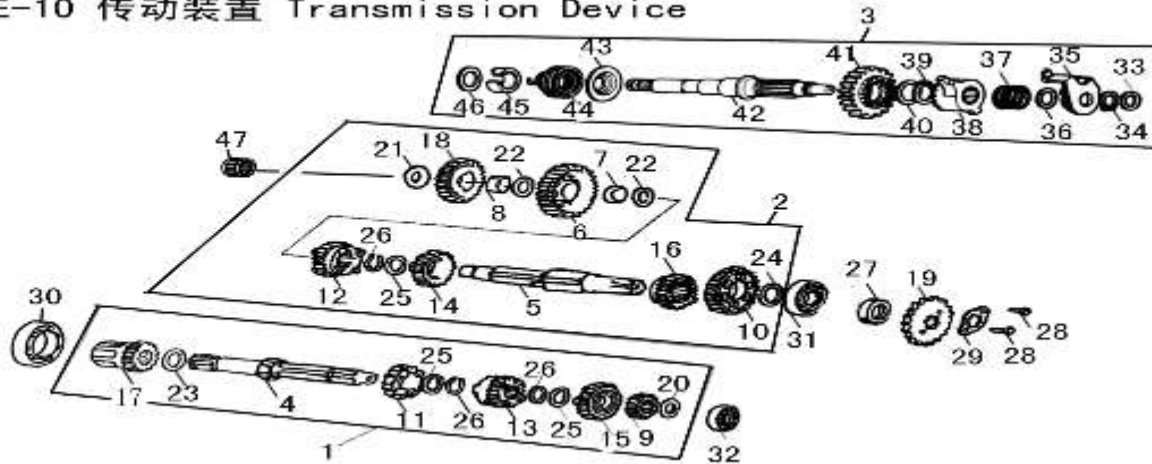
1638-10	Circlip 17
1638-11	Bolt M6×25
1638-12	Clutch Main Body
1638-13	Clutch Spring
1638-14	Bearing 6001
1638-15	Driven Disc Assy
1638-16	Clutch Thrust Sleeve



1639-1	Crankshaft & Connecting Rod
1639-2	Piston Ring Set
1639-3	Piston
1639-4	Piston Pin
1639-5	Connecting Rod
1639-6	Crankshaft, RH
1639-7	Crankshaft, LH
1639-8	Crankshaft Pin
1639-9	Timing Drive Gear
1639-10	Crankshaft Woodruff Key
1639-11	Crankshaft Bearing, RH
1639-12	Crankshaft Bearing, LH
1639-13	Connecting Rod Big End Bearing

1639-14	Piston Pin Circlip
1639-15	Piston Ring I
1639-16	Piston Ring II
1639-17	3-Piece Oil Ring
1639-18	Woodruff Key
1639-19	Balanced Shaft Driving Gear
1639-20	Locknut
1639-21	Washer
1639-22	Flat Key
1639-23	Balanced Shaft Driven Gear
1639-24	Balanced Shaft
1639-25	Bearing, 6303(17×47×14)
1639-26	Bearing, 6203(17×40×12)

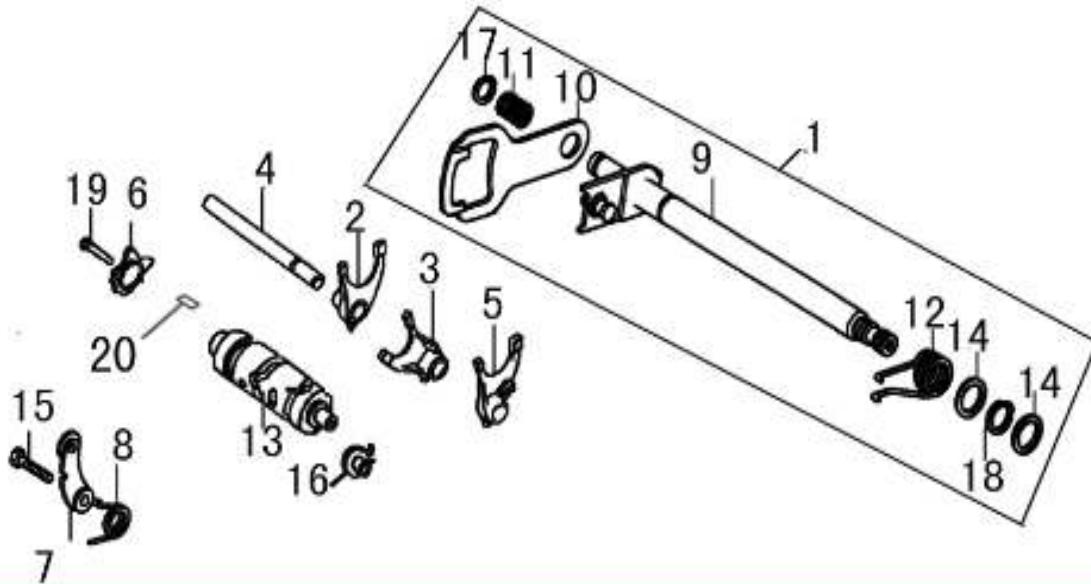
E-10 传动装置 Transmission Device



16310-1	Mainshaft Assy
16310-2	Countershaft Assy
16310-3	Starting Shaft Assy
16310-4	Mainshaft
16310-5	Countershaft
16310-6	Countershaft First Gear
16310-7	Countershaft 1st Gear Bush
16310-8	Starting Mid-Gear Bush
16310-9	Mainshaft 2nd Gear
16310-10	Countershaft 2nd Gear
16310-11	Mainshaft 3rd Gear
16310-12	Countershaft 3rd Gear
16310-13	Mainshaft 4th Gear
16310-14	Countershaft 4th Gear
16310-15	Mainshaft 5th Gear
16310-16	Countershaft 5th Gear
16310-17	Starting Driven Gear Comp.
16310-18	Starting Mid-Gear Comp.
16310-19	Output Sprocket
16310-20	Mainshaft Washer
16310-21	Starting Mid-Gear Washer
16310-22	Countershaft Washer
16310-23	Washer

16310-24	Countershaft Washer II
16310-25	Mainshaft Spline Washer
16310-26	Circlip
16310-27	Oil Seal 20x34x7
16310-28	Bolt M6x10
16310-29	Output Sprocket Locating Plate
16310-30	Bearing 6106
16310-31	Bearing 6204
16310-32	Bearing 6202
16310-33	Starting Shaft Washer III
16310-34	Circlip
16310-35	Ratchet Guide Comp.
16310-36	Starting Shaft Washer II
16310-37	Starting Shaft Spring
16310-38	Ratchet
16310-39	Circlip 20
16310-40	Starting Shaft Washer I
16310-41	Starting Gear
16310-42	Starting Shaft
16310-43	Starting Shaft Spring Seat
16310-44	Starting Torsion Spring
16310-45	Starting Shaft Sleeve
16310-46	Starting Shaft Washer IV
16310-47	Bearing HK152312

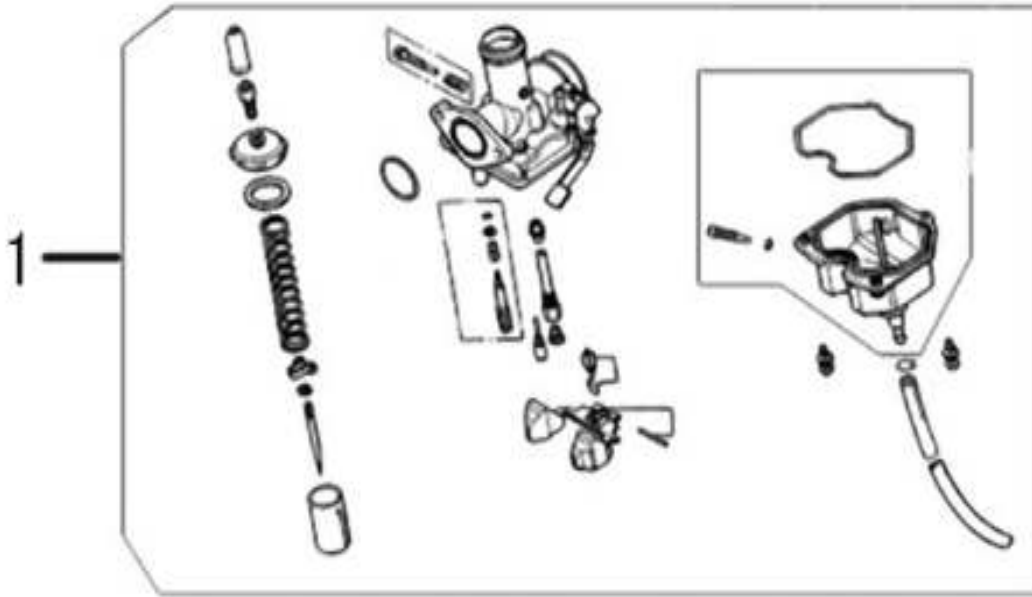
## E-11 变档机构 GEARSHIFT DEVICE



16311-1	Gearshift Shaft Assy
16311-2	Fork III
16311-3	Fork II
16311-4	Fork Shaft
16311-5	Fork I
16311-6	Gearshift Cam
16311-7	Limit Block
16311-8	Limit Block Torsion Spring
16311-9	Gearshift Shaft
16311-10	Gearshift Shifter
16311-11	Gearshift Spring

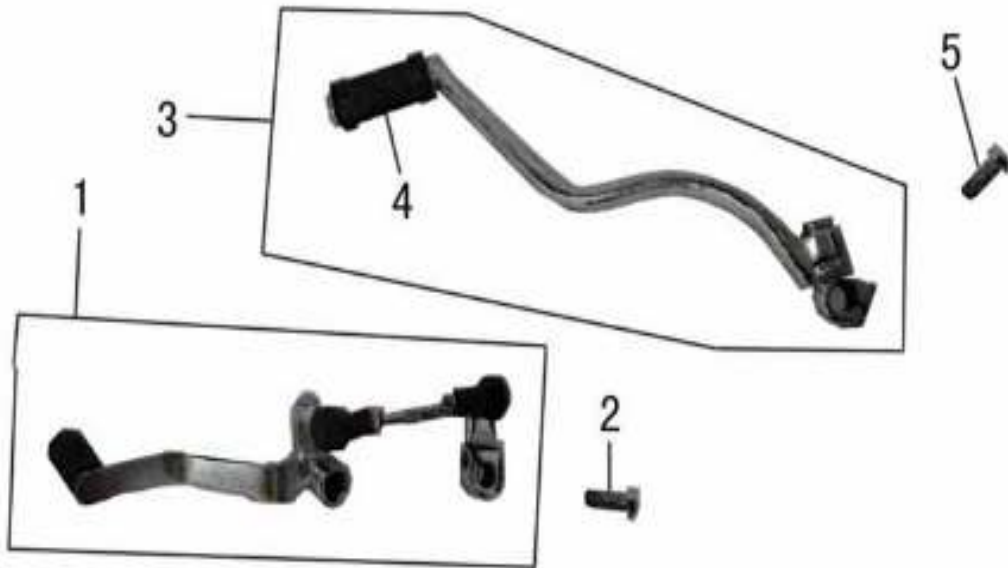
16311-12	Gearshift Shaft Return Spring
16311-13	Gearshift Drum
16311-14	Gearshif Shaft Washer
16311-15	Bolt M6x20
16311-16	Gear Indicator Contactactor Comp.
16311-17	Circlip 12
16311-18	Circlip 14
16311-19	Bolt M6x25
16311-20	Gearshift Cam Pin, B4x10

E-12 化油器 CARBURETOR



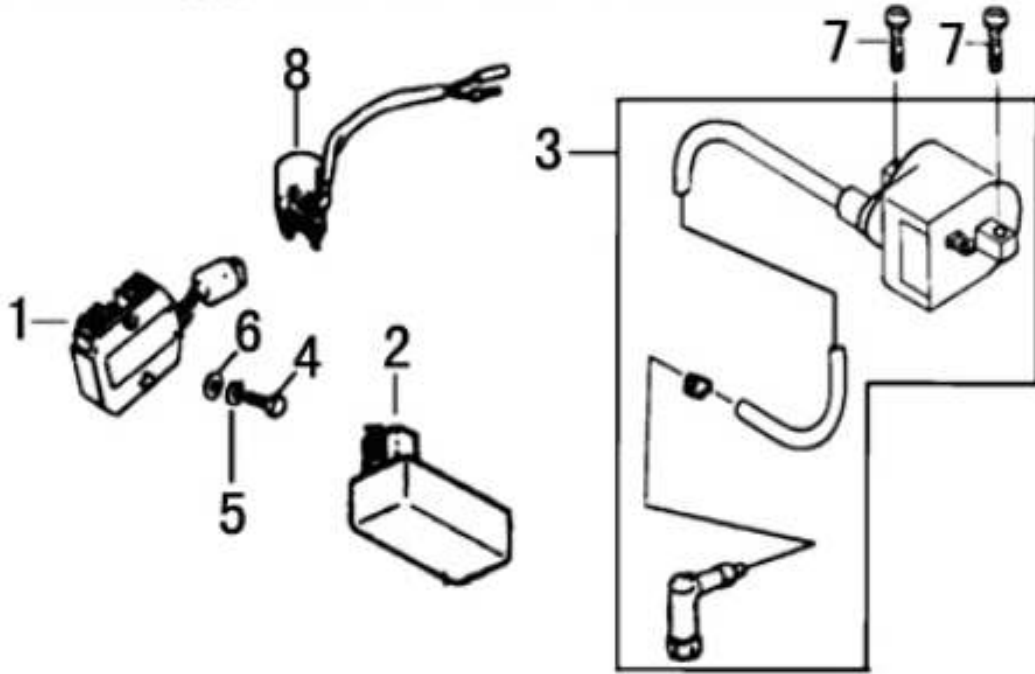
16312-1	Carburetor Assy	
---------	-----------------	--

E-13 变档杆、起动杆 GEARSHIFT PEDAL & STARTING ARM



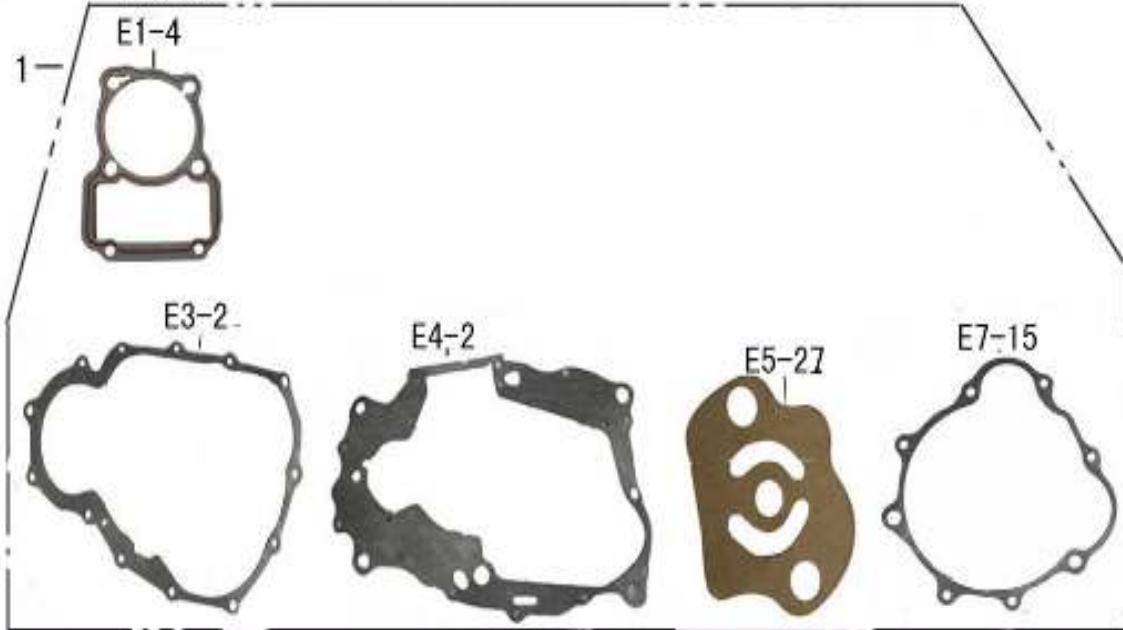
16313-1	Gearshift Pedal Assy	
16313-2	Bolt M6×20	
16313-3	Starting Arm Assy	
16313-4	Starting Arm Assy Rubber Boot	
16313-5	Bolt M8×40	

**E-14 电器 ELECTRIC ELEMENT**

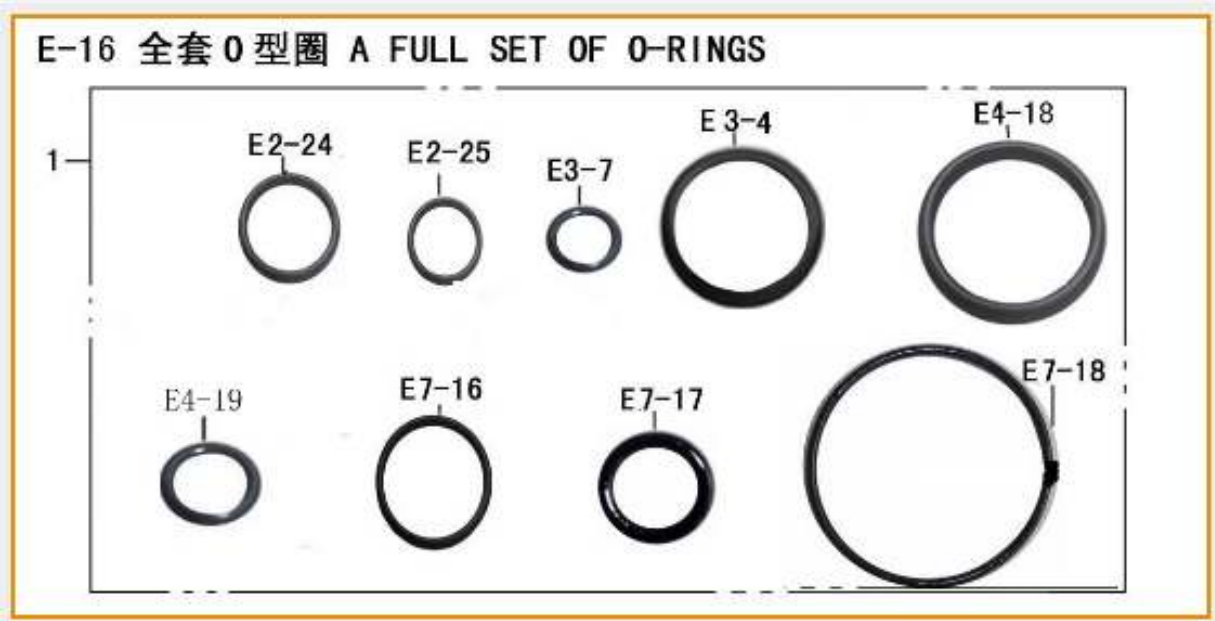


16314-1	Voltage Regulator	200521-8
16314-2	Ignition Controller	200521-5
16314-3	Ignition Coil	200521-4
16314-4	Bolt M6x20	
16314-5	Spring Washer 6	
16314-6	Washer 6	
16314-7	Bolt M6x25	
16314-8	Starting Relay	200521-7

**E-15 全套纸垫 A FULL SET OF GASKETS**



16315-1	A Full Set Of Gaskets	
---------	-----------------------	--



16316-1	A Full Set Of O-Rings	
---------	-----------------------	--

E-17 全套油封 A FULL SET OF OIL SEALS



16317-1	A Full Set Of Oil Seals	
---------	-------------------------	--

**E-18 全套轴承 A FULL SET OF BEARINGS**



16318-1	A Full Set Of Bearings	
---------	------------------------	--

# **MIL200GY-5**

## **Parts Catalog**

- ✓ **Always wear a helmet while driving Motorcycles**
- ✓ **Always have your headlights on while driving, even during the day – for safety reasons and longer battery life**
- ✓ **Make sure all lights work properly at all times**
- ✓ **Always drive with Insurance Coverage, Licensed Motorcycle and Motorcycle Driver's License**
- ✓ **Change oil (SAE15W/40SE) after the first 500 KMs and after every 2,000 KMs**
- ✓ **Use Regular Gas**
- ✓ **Always Drive with Awareness for SAFETY.**



## Meilun Motorcycle Warranty Policy

Meilun Motorcycles are under 3 months or 2,000 KMs warranty – whichever comes first. Specific items under warranty are:

- The Engine, and its related parts
- Cables, Horn, Switches
- And any other manufacturer's defect on motorcycle.

The following items are *not* covered under this warranty:

- Tires, Tubes, Chain & Sprockets
- Covers, Mirrors, Light Lenses, Alarm System
- Battery – unless convincing evidence shows defect
- And any other damages or wear & tear occurring under the owner's care.



**ML100-A**



**ML150-9J**



**ML125T-26**



**ML250-4**



**ML125-5**



**ML200GY-5**



**ML125-7**



**ML150ZH-3**