

# ML125-7

## Frame & Engine Parts 2013 Edition

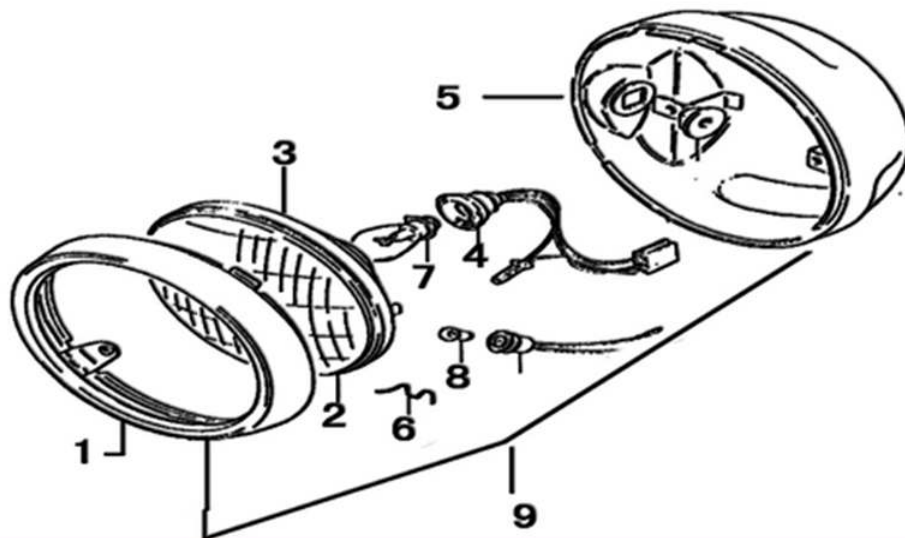


**UNIVERSAL**  
**H A R D W A R E**®

Box 585, Center Road  
Spanish Lookout  
Tel 501 823 0254  
[sales@universalhardware.bz](mailto:sales@universalhardware.bz)

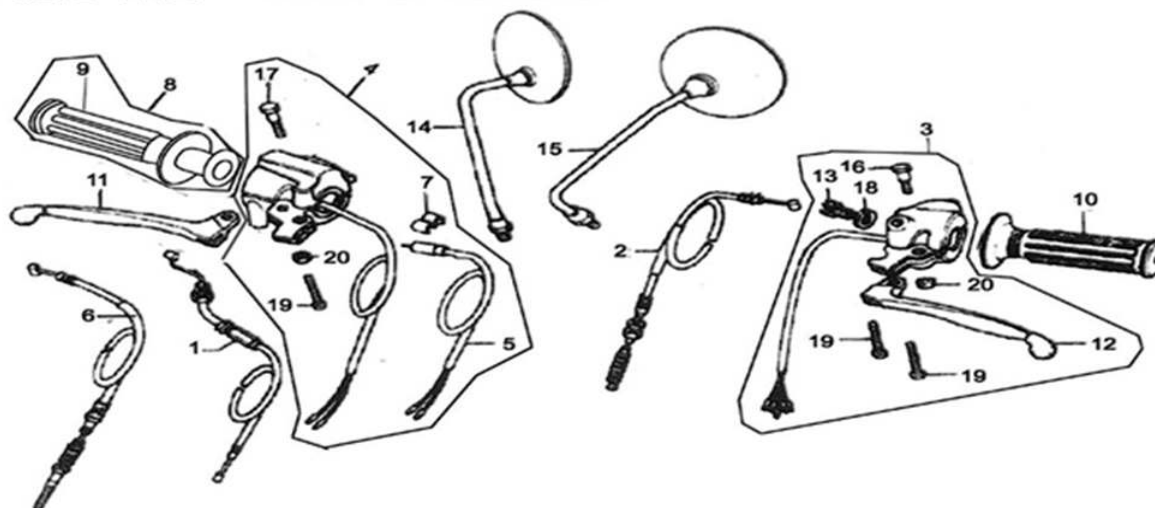
3380 Chetumal Street  
Belize City  
Tel 501 224 4140  
[salesbz@universalhardware.bz](mailto:salesbz@universalhardware.bz)

F-1 前照灯总成 I HEADLIGHT ASSY



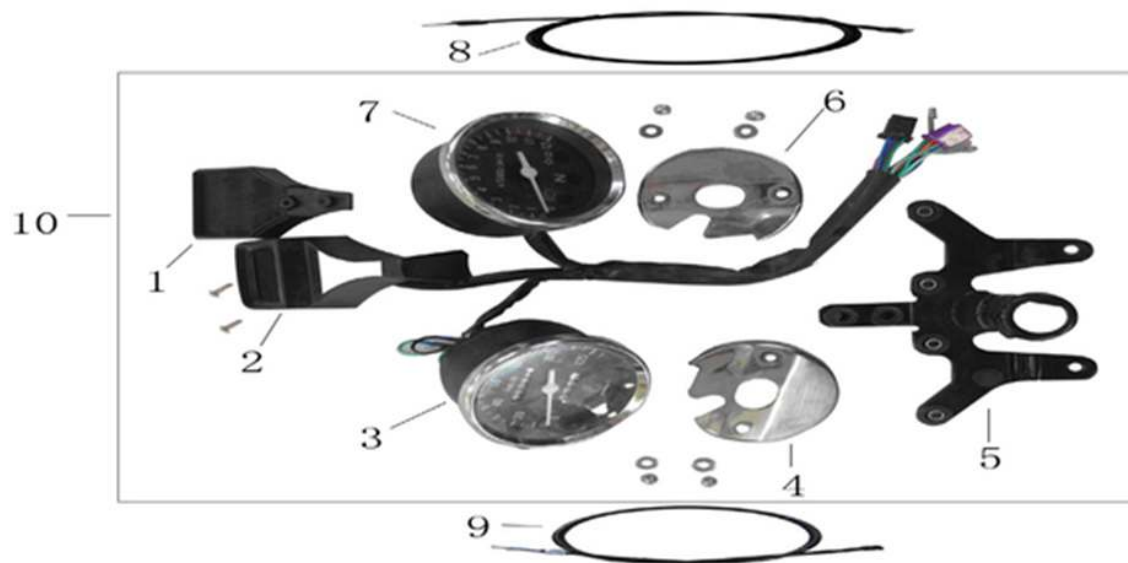
12571-1	Headlight Rim Comp.	
12571-2	Headlight Lens Comp.	
12571-3	Headlight Reflector Comp.	
12571-4	Headlight Socket Comp.	
12571-5	Headlight Housing Comp.	
12571-6	Circlip	
12571-7	Bulb 12V-35W/35W	
12571-8	Bulb 12V-4W	
12571-9	Headlight Assy	

F-2 握把 开关 GRIPS & SWITCHES



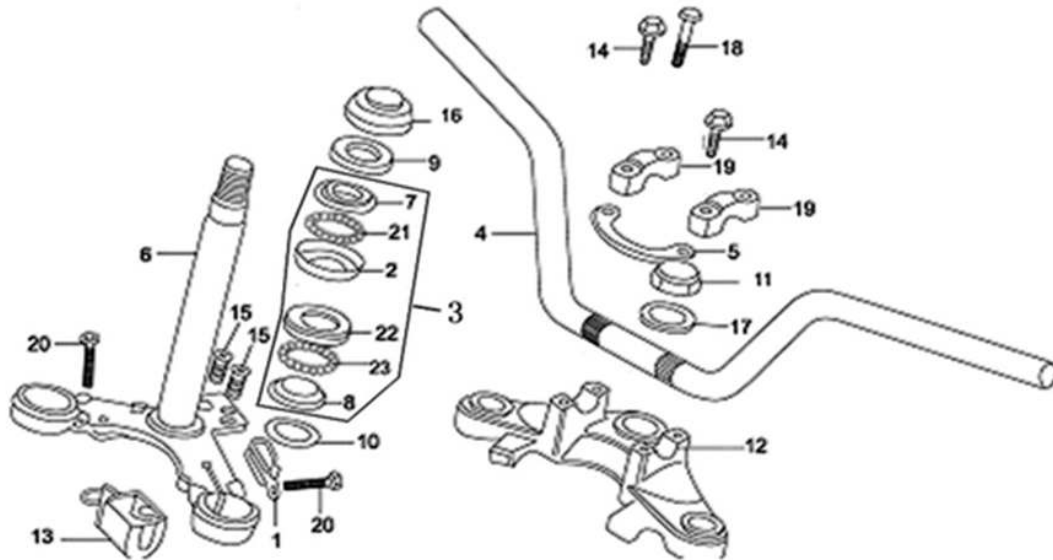
12572-1	Throttle Cable	
12572-2	Clutch Cable	
12572-3	Handlebar Switch, LH	
12572-4	Handlebar Switch, RH	
12572-5	Front Brake Switch	
12572-6	Front Brake Cable	
12572-7	Wire Clip	
12572-8	Throttle Grip Comp.	
12572-9	Grip, RH	
12572-10	Grip, LH	
12572-11	Front Brake Lever	
12572-12	Clutch Lever	
12572-13	Adjusting Bolt	
12572-14	Rearview Mirror, RH	
12572-15	Rearview Mirror, LH	
12572-16	Clutch Lever Pivot	
12572-17	Front Brake Lever Pivot	
12572-18	Steering Stem Adjusting Nut	
12572-19	Screw M5×20	
12572-20	Nut M6	

F-3 仪表总成 METERS ASSY



12573-1	Indicator Box Cover	
12573-2	Gear Indicator	
12573-3	Odometer	
12573-4	Odometer Case	
12573-5	Meter Stay	
12573-6	Tachometer	
12573-7	Tachometer Case	
12573-8	Tachometer Cable Comp.	
12573-9	Odometer Cable Comp.	
12573-10	Meter Assy	

**F-4 方向把管 & 方向柱 HANDLE BARS & STEERING STEM**



12574-1	Cable Clamp
12574-2	Top Bearing Bottom Ball Race
12574-3	Steering Stem Bearing Set
12574-4	Steering Bar Pipe Comp.
12574-5	Clamp
12574-6	Steering Stem
12574-7	Top Bearing Top Ball Race
12574-8	Bottom Bearing Bottom Ball Race
12574-9	Washer
12574-10	Steering Stem Dust Ring
12574-11	Locknut
12574-12	Top Steering Stem Connection Board

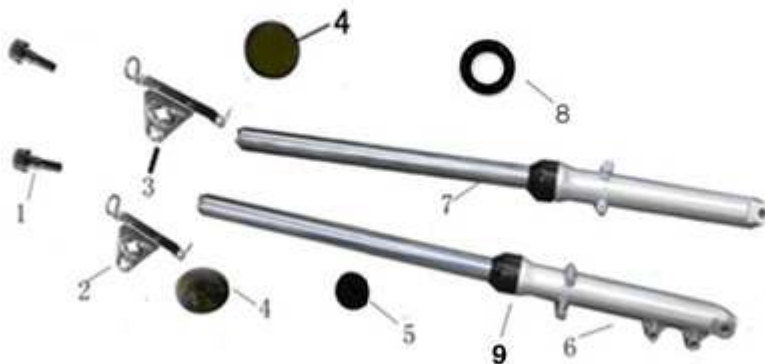
12574-13	Steering Lock
12574-14	Bolt Screw M8×35
12574-15	Screw M6×12
12574-16	Steering Stem Adjusting Nut
12574-17	Washer
12574-18	Bolt
12574-19	Steering Bar Clamp
12574-20	Bolt M8×38
12574-21	Steel Ball
12574-22	Bottom Bearing Top Ball Race
12574-23	Steel Ball

F-5 前挡泥板 FRONT FENDER



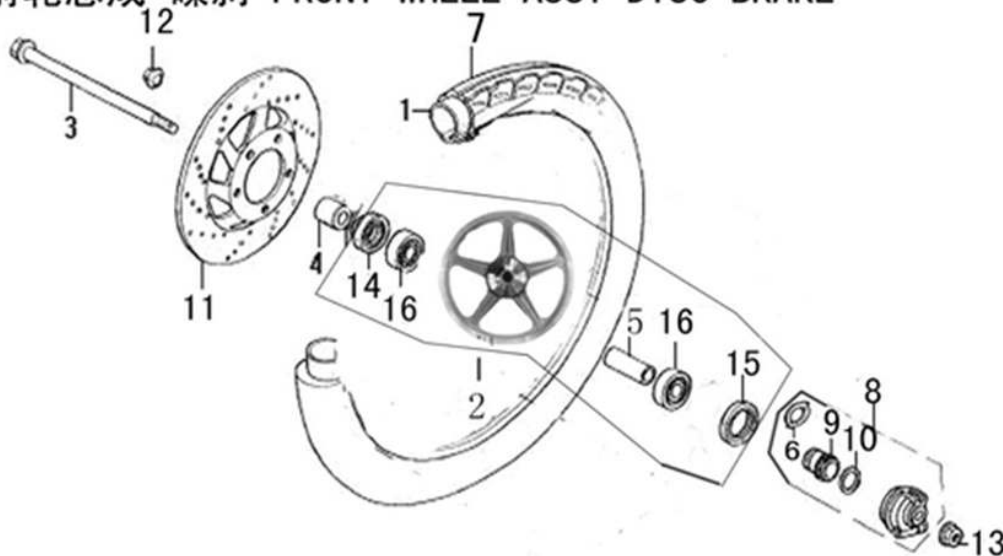
12575-1	Front Fender Comp.	
12575-2	Odometer Cable Grommet	
12575-3	Buffer Weldment - Front Guard	*****

**F-6 前减震器 FRONT SHOCK ABSORBER**



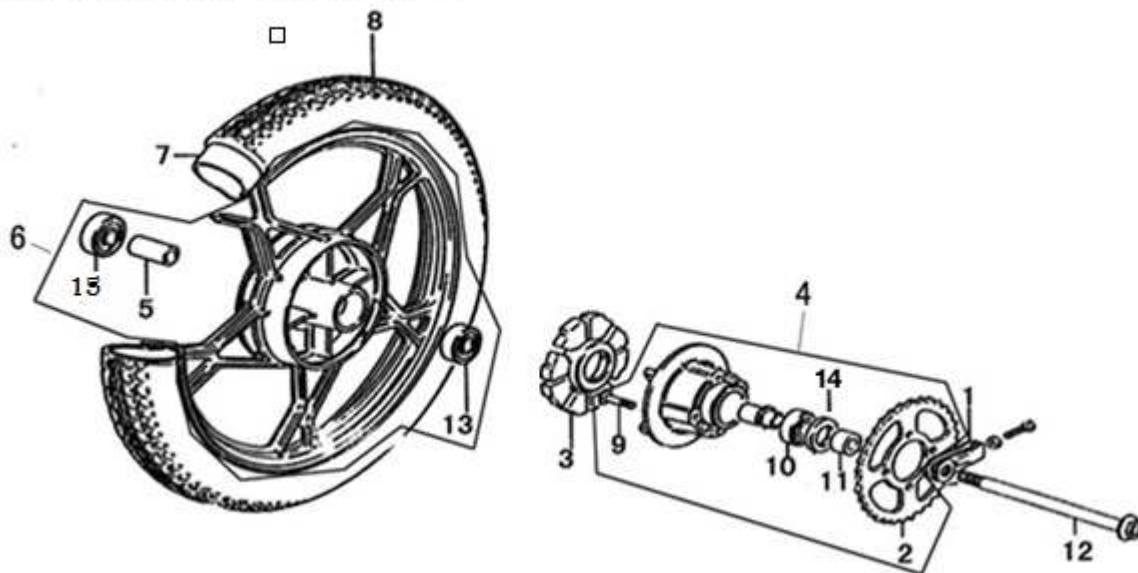
12576-1	Lip Bolt	
12576-2	Headlight Stay Comp. LH	
12576-3	Headlight Stay Comp. RH	
12576-4	Front Reflector	
12576-5	Front Reflector Grommet	
12576-6	Front Shock Absorber, LH	
12576-7	Front Shock Absorber, RH	
12576-8	Oil Seal for Front Shock Absorber	*****
12576-9	Dust Covers for Front Shock Absorber	*****

F-7 前轮总成 碟刹 FRONT WHEEL ASSY DISC BRAKE



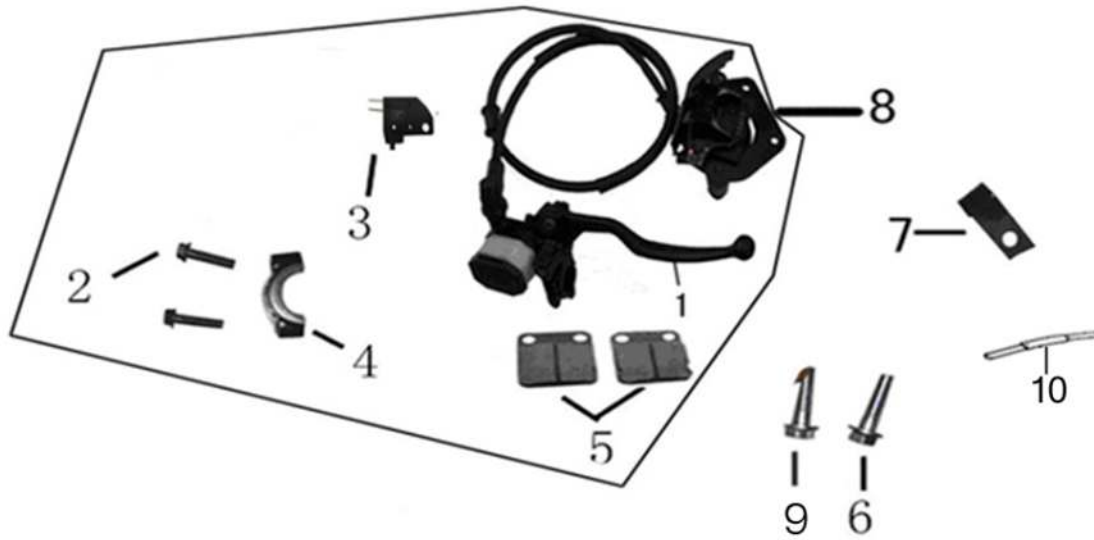
12577-1	Front Tube	
12577-2	Front Wheel Rim Comp.	
12577-3	Front Axle	
12577-4	Front Wheel Right Bush	
12577-5	Front Wheel Inner Bush	
12577-6	Speedometer Drive Claw	
12577-7	Front Tyre (2.75-18)	
12577-8	Speedometer Gear Box	
12577-9	Speedometer Gear	
12577-10	Washer	
12577-11	Front Brake Disc	
12577-12	Bolt Disc Brake	
12577-13	Nut M12X1.25	
12577-14	Oil Seal 23×37×7	
12577-15	Front Wheel Dust Ring, LH	
12577-16	LH & RH Bearing 6301	

**F-8 后轮总成 REAR WHEEL ASSY**



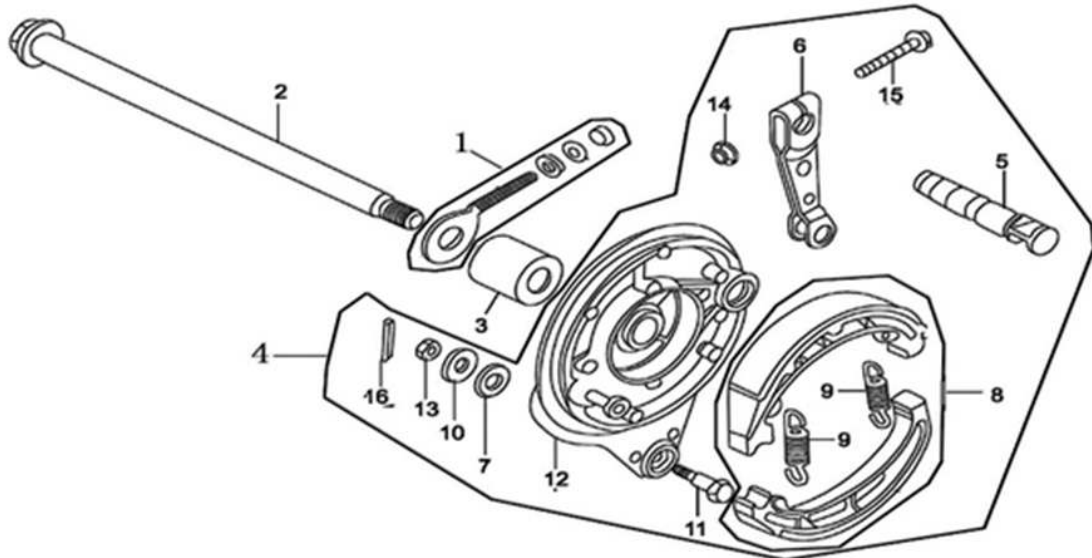
12578-1	Chain Adjuster Set	
12578-2	Sprocket	
12578-3	Rear Wheel Buffer	
12578-4	Rear Wheel Hub Set	
12578-5	Rear Wheel Hub Inner Bush	
12578-6	Rear Wheel Rim Comp.	
12578-7	Rear Tube	
12578-8	Rear Tyre	
12578-9	Sprocket Bolt	
12578-10	Oil Seal	
12578-11	Rear Wheel Bush LH	
12578-12	Rear Axle	
12578-13	Bearing 6202 LH	
12578-14	Sprocket Hub Bearing 6204	
12578-15	Bearing 6302 RH	

**F-9 前液压制动器 FRONT HYDRAULIC BRAKE ASSY**



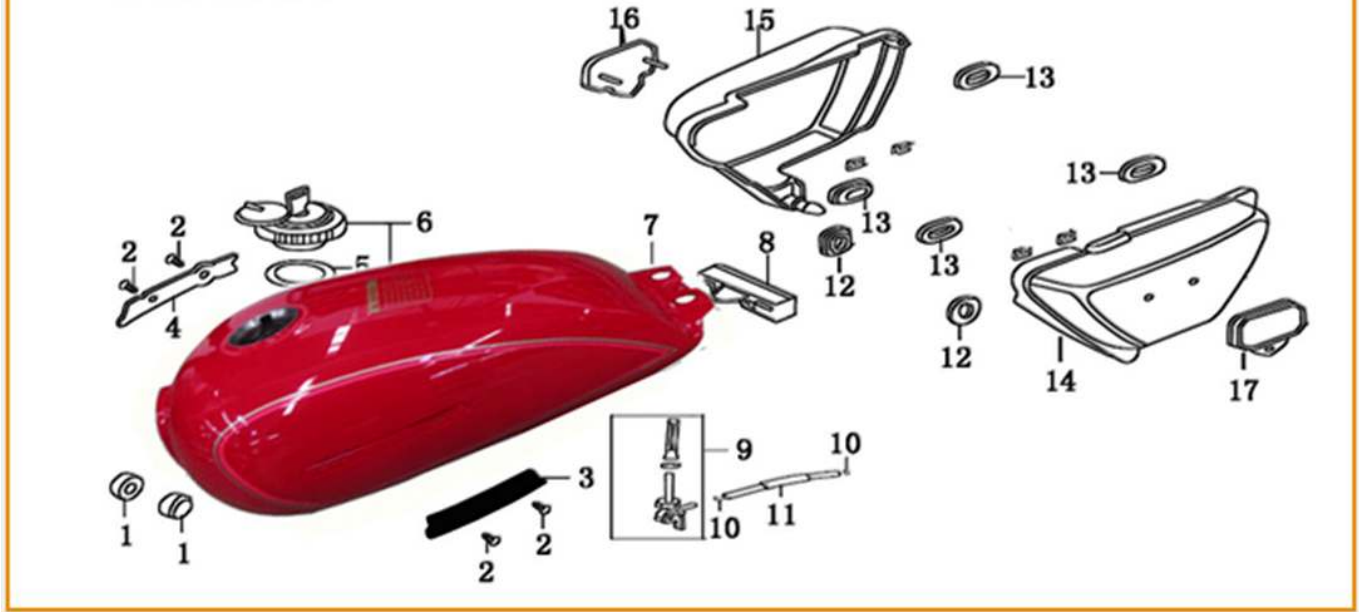
12579-1	Front Brake Lever	
12579-2	Bolt M6X22	
12579-3	Front Brake Switch	
12579-4	Front Brake Master Cylinder Joint	
12579-5	Front Disc Brake Pad	
12579-6	Bolt M8X28	
12579-7	Circlip I, Hose	
12579-8	Front Hydraulic Brake Assy	
12579-9	Pin Shaft	
12579-10	Hose Clip - Long F-20-5	

**F-10 后制动器 REAR BRAKE**



125710-1	Chain Adjuster Set	
125710-2	Rear Axle	
125710-3	Rear Wheel Right Bush	
125710-4	Rear Brake	
125710-5	Rear Brake Cam	
125710-6	Rear Brake Arm	
125710-7	Stop Bolt Rubber	
125710-8	Rear Brake Shoe Set	
125710-9	Rear Brake Shoe Spring	
125710-10	Washer 8	
125710-11	Shoulder Bolt II	
125710-12	Rear Brake Cover	
125710-13	Nut M8	
125710-14	Nut M6	
125710-15	Bolt M6x35	
125710-16	Pin, 2x16	

F-11 油箱与侧盖 FUEL TANK ASSY & SIDE COVER



125711-1	Front Cushion, Fuel Tank
125711-2	Screw ST3.5X20
125711-3	Fuel Tank Mark Plate, RH
125711-4	Fuel Tank Mark Plate, RH
125711-5	Fuel Tank Lock Seal
125711-6	Fuel Tank Lock
125711-7BA	Fuel Tank Weldment - Black
125711-7G	Fuel Tank Weldment - Green
125711-7R	Fuel Tank Weldment - Red
125711-8	Rear Cushion, Fuel tank
125711-9	Fuel Cock Comp.
125711-10	Hose Clip

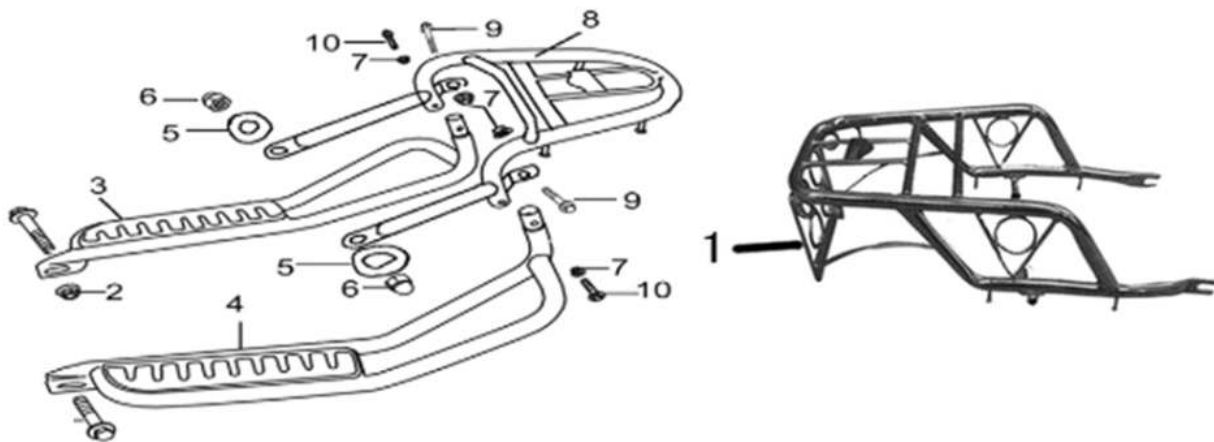
125711-11	Hose
125711-12	Side Cover Grommet
125711-13	Grommet II
125711-14BA	Side Cover, LH - Black
125711-14G	Side Cover, LH - Green
125711-14R	Side Cover, LH - Red
125711-15BA	Side Cover, RH - Black
125711-15G	Side Cover, RH - Green
125711-15R	Side Cover, RH - Red
125711-16	Side Cover Mark Plate, RH
125711-17	Side Cover Mark Plate, LH

F-12 座垫 SEAT ASSY



125712-1	Seat Assy	
125712-2	Front Cushion, Seat	
125712-3	Bolt M8×16	
125712-4	Washer 8	
125712-5	Band	
125712-6	Back Rest for Passenger Seat	*****

F-13 后货架焊接组合 REAR CARRIER



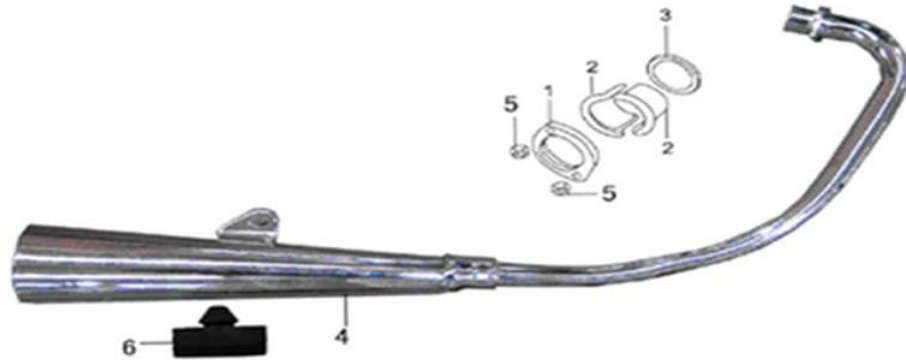
125713-1	Rear Carrier Weldment	
125713-2	Nut M10	
125713-3	Passenger Footrest Comp., RH	
125713-4	Passenger Footrest Comp., LH	
125713-5	Washer 10	
125713-6	Cap nut	
125713-7	Nut 8	
125713-8	Rear Carrier Weldment	
125713-9	Bolt M8×90	

F-14 空气滤清器 蓄电池 AIR CLEANER & BATTERY



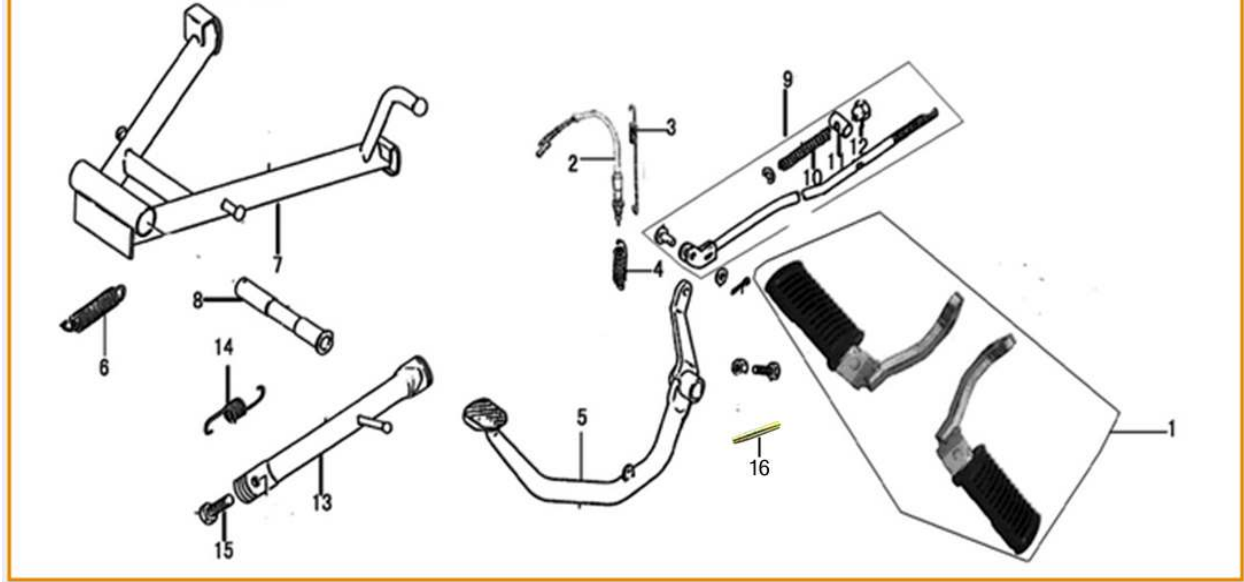
125714-1	Air Cleaner Assy	
125714-2	Air Cleaner Element Set	
125714-3	Battery	
125714-4	Battery Band	
125714-5	Tool Kit	

F-15 排气消声器总成 EXHAUST MUFFLER ASSY

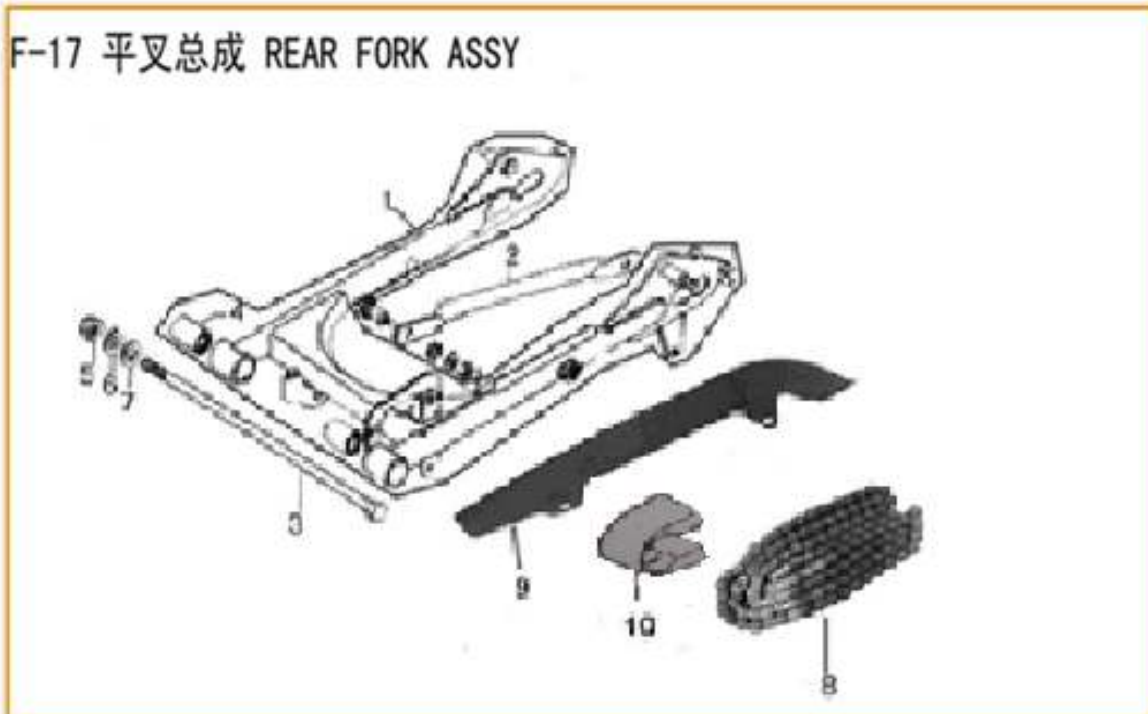


125715-1	Exhaust Pipe Flange	
125715-2	Exhaust Pipe Connecting Block	
125715-3	Exhaust Muffler Gasket	
125715-4	Exhaust Muffler Comp.	
125715-5	Nut M6	
125715-6	Muffler Plate Clamp Set	

F-16 主、側支架 CENTER & SIDE STAND



125716-1	Rider Footrest Bracket	
125716-2	Rear Brake Switch	
125716-3	Rear Brake Switch Spring	
125716-4	Rear Brake Pedal Spring	
125716-5	Rear Brake Pedal Comp.	
125716-6	Center Stand Spring	
125716-7	Center Stand Comp.	
125716-8	Center Stand Shaft	
125716-9	Rear Brake Link Comp.	
125716-10	Rear Brake Link Spring	
125716-11	Rear Brake Link Pin	
125716-12	Steering Stem Adjusting Nut	
125716-13	Side Stand	
125716-14	Side Stand Spring	
125716-15	Shoulder Bolt I	
125716-16	Rear Brake Bushing	



125717-1	Rear Fork Weldment	
125717-2	Rear Brake Limit Bar / Rod	
125717-3	Rear Fork Shaft	
125717-4	Rear Fork Bush	
125717-5	Nut	
125717-6	Washer 12	
125717-7	Washer 12	
125717-8	Chain	
125717-9	Top Chaincase	
125717-10	Buffer Chain Guide	



**F-19 后挡泥板 REAR FENDER**



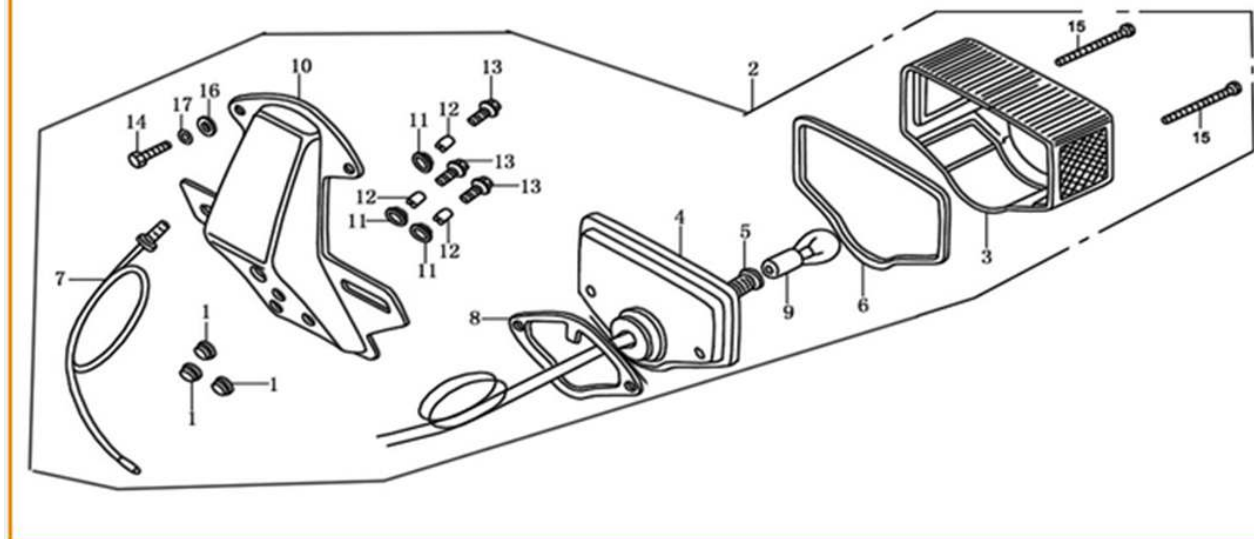
125719-1	Grommet	
125719-2	Rear Fender Grommet I	
125719-3	Rear Fender Bush I	
125719-4	Rear Fender Rear Body	
125719-5	Rear Fender Front Body	
125719-6	Rear Fender Bush II	
125719-7	Rear Fender Grommet II	
125719-8	Rear Fender Rubber Ring I	
125719-9	Bolt M6×25	
125719-10	Bolt M6×20	
125719-11	Bolt	
125719-12	Nut	
125719-13	Washer	

F-20 转向灯 WINKER



125720-1	Front Winker, RH	
125720-2	Front Winker, LH	
125720-3	Rear Winker, LH	
125720-4	Rear Winker, RH	
125720-5	Bulb, 12V 3W	

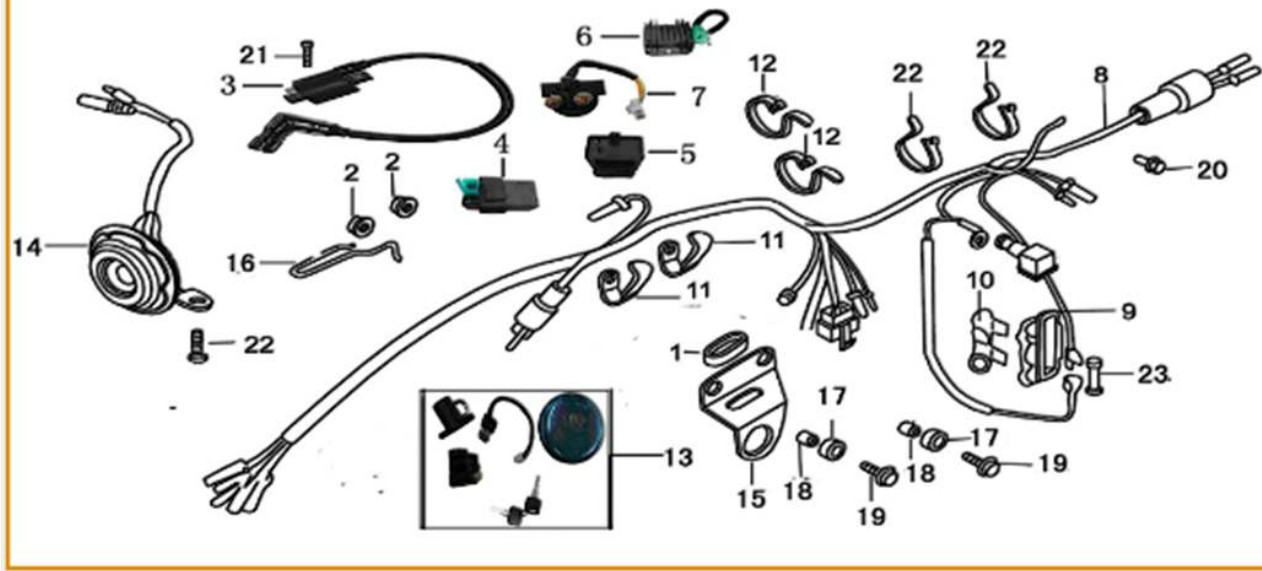
F-21 尾灯总成 TAILLIGHT ASSY



125721-1	Nut M6	
125721-2	Taillight Assy	
125721-3	Taillight Lens	
125721-4	Taillight Housing	
125721-5	Taillight Socket Comp.	
125721-6	Taillight Rim Seal	
125721-7	Taillight Wire Comp.	
125721-8	Taillight Rubber Ring	
125721-9	Bulb	
125721-10	Rear License Soleplate	
125721-11	Rear License Bracket Rubber	
125721-12	Rear License Bracket Bush	
125721-13	Screw M6×12	
125721-14	Screw M5×12	
125721-15	Screw M4×38	
125721-16	Washer 5	
125721-17	Spring Washer	

F-22 电缆及电器件

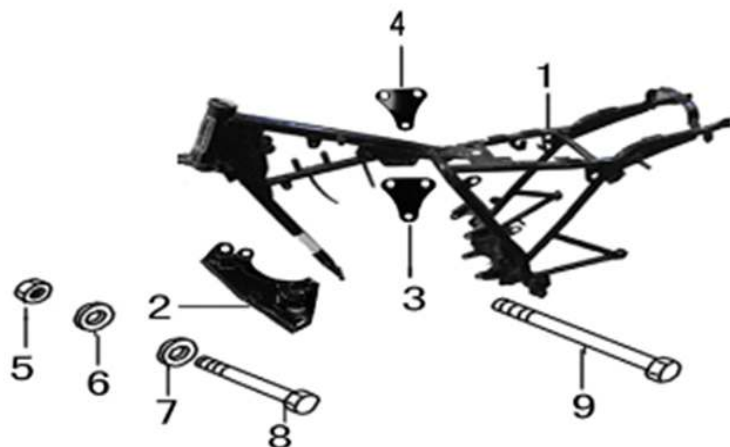
MAIN CABLE & ELECTRICAL ELEMENT



125722-1	Ignition Switch Cover
125722-2	Nut M6
125722-3	Ignition Coil
125722-4	Ignition Controller
125722-5	Flashing Relay
125722-6	Voltage Regulator
125722-7	Starting Relay
125722-8	Main Cable
125722-9	Fuse Comp.
125722-10	Fuse Case Stay
125722-11	Band I
125722-12	Band II

125722-13	Lock Assy
125722-14	Horn
125722-15	Ignition Switch Bracket
125722-16	Wire Clip
125722-17	Rubber Ring
125722-18	Sleeve
125722-19	Bolt
125722-20	Bolt
125722-21	Screw
125722-22	Brand III
125722-23	Fuse

F-23 车架总成 FRAME BODY ASSY



125723-1	Frame Weldment	
125723-2	Engine Front Suspension Plate	
125723-3	Engine Top Left Suspension Plate	
125723-4	Engine Top right Suspension Plate	
125723-5	Nut	
125723-6	Washer	
125723-7	Washer	
125723-8	Bolt M8×70	
125723-9	Bolt M8×115	



<b>Meilun Wheel Bearing Specification</b>				
Sorted by Bike Model				
<b>Bike Model</b>	Description	Bearing #	Part #	
ML100-A	Front Wheel Right Bearing	<b>6300</b>	<b>1009-13</b>	
ML100-A	Front Wheel Left Bearing	<b>6300</b>	<b>1009-13</b>	
ML100-A	Rear Wheel Right Bearing	<b>6301</b>	<b>10010-18</b>	
ML100-A	Rear Wheel Left Bearing	<b>6301</b>	<b>10010-18</b>	
<b>ML100-A</b>	Rear Sprocket Hub Bearing	<b>6203</b>	<b>10010-19</b>	
ML125-5	Front Wheel Right Bearing	<b>6301</b>	<b>12557-21</b>	
ML125-5	Front Wheel Left Bearing	<b>6301</b>	<b>12557-21</b>	
ML125-5	Rear Wheel Right Bearing	<b>6202</b>	<b>12559-16</b>	
ML125-5	Rear Wheel Left Bearing	<b>6302</b>	<b>12559-20</b>	
ML125-7	Front Wheel Right Bearing	<b>6301</b>	<b>12577-16</b>	
ML125-7	Front Wheel Left Bearing	<b>6301</b>	<b>12577-16</b>	
ML125-7	Rear Wheel Right Bearing	<b>6302</b>	<b>12578-13</b>	
ML125-7	Rear Wheel Left Bearing	<b>6202</b>	<b>12578-15</b>	
<b>ML125-7</b>	Rear Sprocket Hub Bearing	<b>6204</b>	<b>12578-14</b>	
ML125T-26	Front Wheel Right Bearing	<b>6301</b>	<b>125269-12</b>	
ML125T-26	Front Wheel Left Bearing	<b>6301</b>	<b>125269-12</b>	
ML125T-26	Rear Wheel Right Bearing	<b>6203</b>	<b>1252610-7</b>	
ML125T-26	Rear Wheel Left Bearing	<b>6203</b>	<b>1252610-7</b>	
ML150-9J	Front Wheel Right Bearing	<b>6301</b>	<b>15098-9</b>	
ML150-9J	Front Wheel Left Bearing	<b>6301</b>	<b>15098-9</b>	
ML150-9J	Rear Wheel Right Bearing	<b>6302</b>	<b>15099-11</b>	
ML150-9J	Rear Wheel Left Bearing	<b>6202</b>	<b>15099-12</b>	
<b>ML150-9J</b>	Rear Sprocket Hub Bearing	<b>6204</b>	<b>15099-13</b>	
ML150GY-3A	Front Wheel Right Bearing	<b>6301</b>	<b>20058-13</b>	
ML150GY-3A	Front Wheel Left Bearing	<b>6301</b>	<b>20058-13</b>	
ML150GY-3A	Rear Wheel Right Bearing	<b>6302</b>	<b>20059-21</b>	
ML150GY-3A	Rear Wheel Left Bearing	<b>6302</b>	<b>20059-21</b>	
ML150ZH-3	Front Wheel Right Bearing	<b>6304</b>	<b>31508-13</b>	
ML150ZH-3	Front Wheel Left Bearing	<b>6304</b>	<b>31508-13</b>	
ML150ZH-3	Rear Wheel Right Bearing		<b>N/A</b>	
ML150ZH-3	Rear Wheel Left Bearing		<b>N/A</b>	
ML200GY-5	Front Wheel Right Bearing	<b>6301</b>	<b>20058-13</b>	
ML200GY-5	Front Wheel Left Bearing	<b>6301</b>	<b>20058-13</b>	
ML200GY-5	Rear Wheel Right Bearing	<b>6302</b>	<b>20059-21</b>	
ML200GY-5	Rear Wheel Left Bearing	<b>6302</b>	<b>20059-21</b>	
ML250-4	Front Wheel Right Bearing	<b>6202</b>	<b>25047-8</b>	
ML250-4	Front Wheel Left Bearing	<b>6202</b>	<b>25047-8</b>	
ML250-4	Rear Wheel Right Bearing	<b>6302</b>	<b>25048-15</b>	
ML250-4	Rear Wheel Left Bearing	<b>6202</b>	<b>25048-16</b>	
<b>ML250-4</b>	Rear Sprocket Hub Bearing	<b>6004</b>	<b>25048-17</b>	

<b>Meilun Wheel Bearing Specification</b>				
Sorted by Bearing #				
Bike Model	Description	Bearing #	Part #	
<b>ML250-4</b>	Rear Sprocket Hub Bearing	<b>6004</b>	<b>25048-17</b>	
ML125-5	Rear Wheel Right Bearing	<b>6202</b>	<b>12559-16</b>	
ML125-7	Rear Wheel Left Bearing	<b>6202</b>	<b>12578-15</b>	
ML150-9J	Rear Wheel Left Bearing	<b>6202</b>	<b>15099-12</b>	
ML250-4	Front Wheel Right Bearing	<b>6202</b>	<b>25047-8</b>	
ML250-4	Front Wheel Left Bearing	<b>6202</b>	<b>25047-8</b>	
ML250-4	Rear Wheel Left Bearing	<b>6202</b>	<b>25048-16</b>	
<b>ML100-A</b>	Rear Sprocket Hub Bearing	<b>6203</b>	<b>10010-19</b>	
ML125T-26	Rear Wheel Right Bearing	<b>6203</b>	<b>1252610-7</b>	
ML125T-26	Rear Wheel Left Bearing	<b>6203</b>	<b>1252610-7</b>	
<b>ML125-7</b>	Rear Sprocket Hub Bearing	<b>6204</b>	<b>12578-14</b>	
<b>ML150-9J</b>	Rear Sprocket Hub Bearing	<b>6204</b>	<b>15099-13</b>	
ML100-A	Front Wheel Right Bearing	<b>6300</b>	<b>1009-13</b>	
ML100-A	Front Wheel Left Bearing	<b>6300</b>	<b>1009-13</b>	
ML100-A	Rear Wheel Right Bearing	<b>6301</b>	<b>10010-18</b>	
ML100-A	Rear Wheel Left Bearing	<b>6301</b>	<b>10010-18</b>	
ML125-5	Front Wheel Right Bearing	<b>6301</b>	<b>12557-21</b>	
ML125-5	Front Wheel Left Bearing	<b>6301</b>	<b>12557-21</b>	
ML125-7	Front Wheel Right Bearing	<b>6301</b>	<b>12577-16</b>	
ML125-7	Front Wheel Left Bearing	<b>6301</b>	<b>12577-16</b>	
ML125T-26	Front Wheel Right Bearing	<b>6301</b>	<b>125269-12</b>	
ML125T-26	Front Wheel Left Bearing	<b>6301</b>	<b>125269-12</b>	
ML150-9J	Front Wheel Right Bearing	<b>6301</b>	<b>15098-9</b>	
ML150-9J	Front Wheel Left Bearing	<b>6301</b>	<b>15098-9</b>	
ML150GY-3A	Front Wheel Right Bearing	<b>6301</b>	<b>20058-13</b>	
ML150GY-3A	Front Wheel Left Bearing	<b>6301</b>	<b>20058-13</b>	
ML200GY-5	Front Wheel Right Bearing	<b>6301</b>	<b>20058-13</b>	
ML200GY-5	Front Wheel Left Bearing	<b>6301</b>	<b>20058-13</b>	
ML125-5	Rear Wheel Left Bearing	<b>6302</b>	<b>12559-20</b>	
ML125-7	Rear Wheel Right Bearing	<b>6302</b>	<b>12578-13</b>	
ML150-9J	Rear Wheel Right Bearing	<b>6302</b>	<b>15099-11</b>	
ML150GY-3A	Rear Wheel Right Bearing	<b>6302</b>	<b>20059-21</b>	
ML150GY-3A	Rear Wheel Left Bearing	<b>6302</b>	<b>20059-21</b>	
ML200GY-5	Rear Wheel Right Bearing	<b>6302</b>	<b>20059-21</b>	
ML200GY-5	Rear Wheel Left Bearing	<b>6302</b>	<b>20059-21</b>	
ML250-4	Rear Wheel Right Bearing	<b>6302</b>	<b>25048-15</b>	
ML150ZH-3	Front Wheel Right Bearing	<b>6304</b>	<b>31508-13</b>	
ML150ZH-3	Front Wheel Left Bearing	<b>6304</b>	<b>31508-13</b>	
ML150ZH-3	Rear Wheel Right Bearing		<b>N/A</b>	
ML150ZH-3	Rear Wheel Left Bearing		<b>N/A</b>	

# 156FMI-2

**Engine Parts**  
**ML125-5/ML125-7**  
**2013**

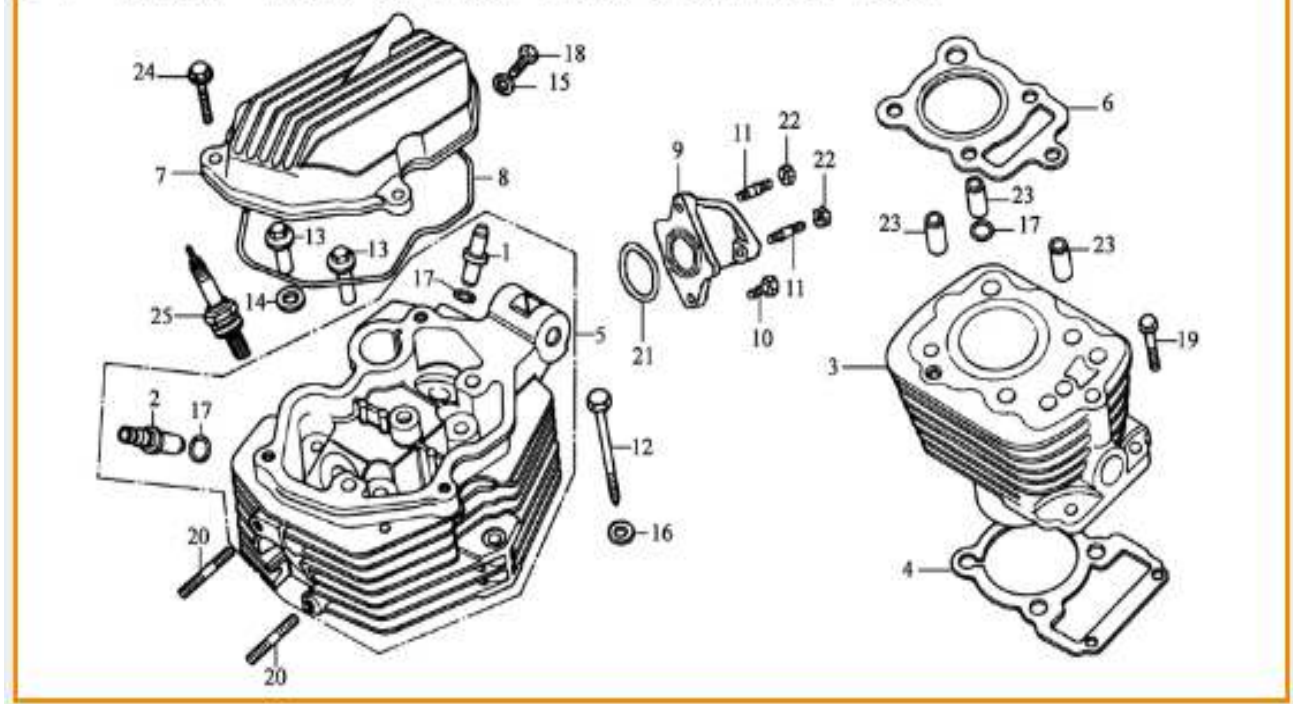


**UNIVERSAL**  
**H A R D W A R E®**

Box 585, Center Road  
Spanish Lookout  
Tel 501 823 0254  
[sales@universalhardware.bz](mailto:sales@universalhardware.bz)

3380 Chetumal Street  
Belize City  
Tel 501 224 4140  
[salesbz@universalhardware.bz](mailto:salesbz@universalhardware.bz)

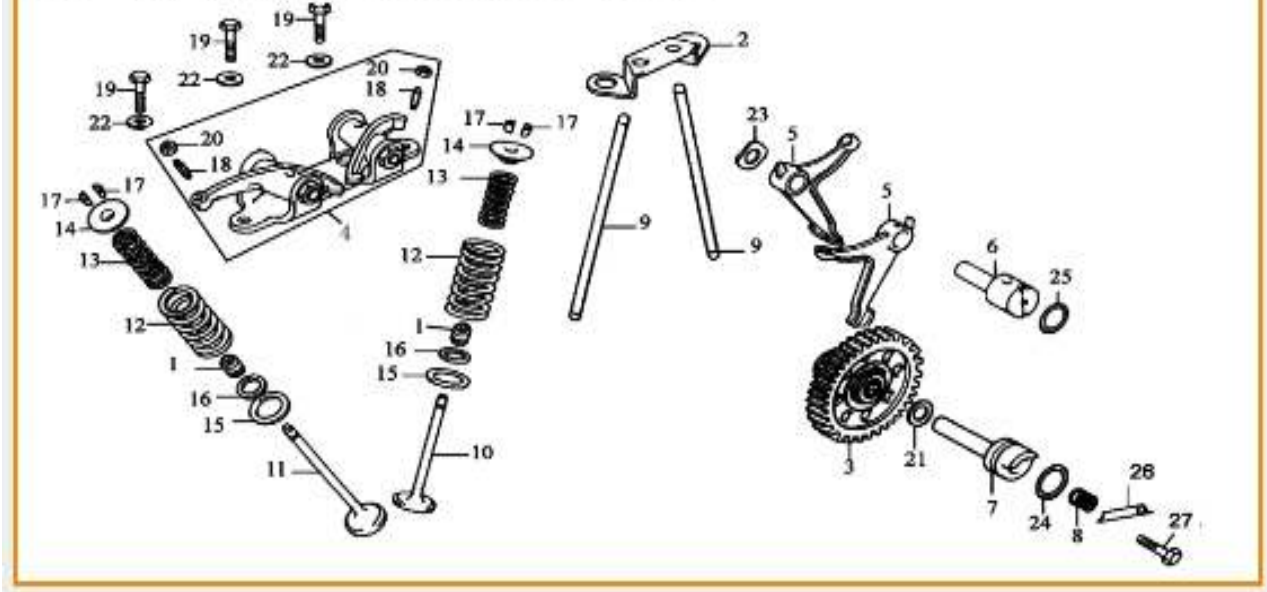
E-1 气缸体、气缸头 Cylinder Block & Cylinder Head



1561-1	Intake Valve Guide
1561-2	Exhaust Valve Guide
1561-3	Cylinder Block Comp.
1561-4	Cylinder Block Gasket
1561-5	Cylinder Head Comp.
1561-6	Cylinder Head Gasket
1561-7	Cylinder Head Cover
1561-8	Cylinder head cover Gasket
1561-9	Intake Pipe Set
1561-10	Bolt M6x20
1561-11	Bolt M6x22
1561-12	Stud M8x77
1561-13	Cap Nut

1561-14	Cylinder Bolt Steel Washer
1561-15	Cylinder Head Cover Oil Passage Washer 6
1561-16	Cylinder Head Washer IIF8
1561-17	Guide O-Ring
1561-18	Bolt M6x12
1561-19	Bolt M6x22
1561-20	Bolt M6x35
1561-21	Inlet Pipe O-Ring 33.5x3
1561-22	Nut M6
1561-23	Cylinder Head Dowel Pin 10x20
1561-24	Bolt M6x28
1561-25	Spark Plug(D8EA NGK)

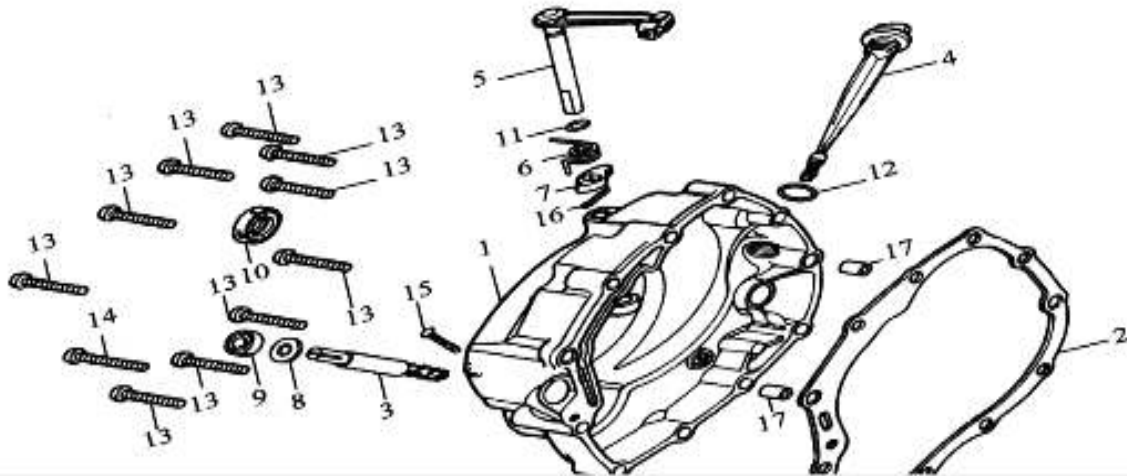
**E-2 配气机构 Camshaft & Valves**



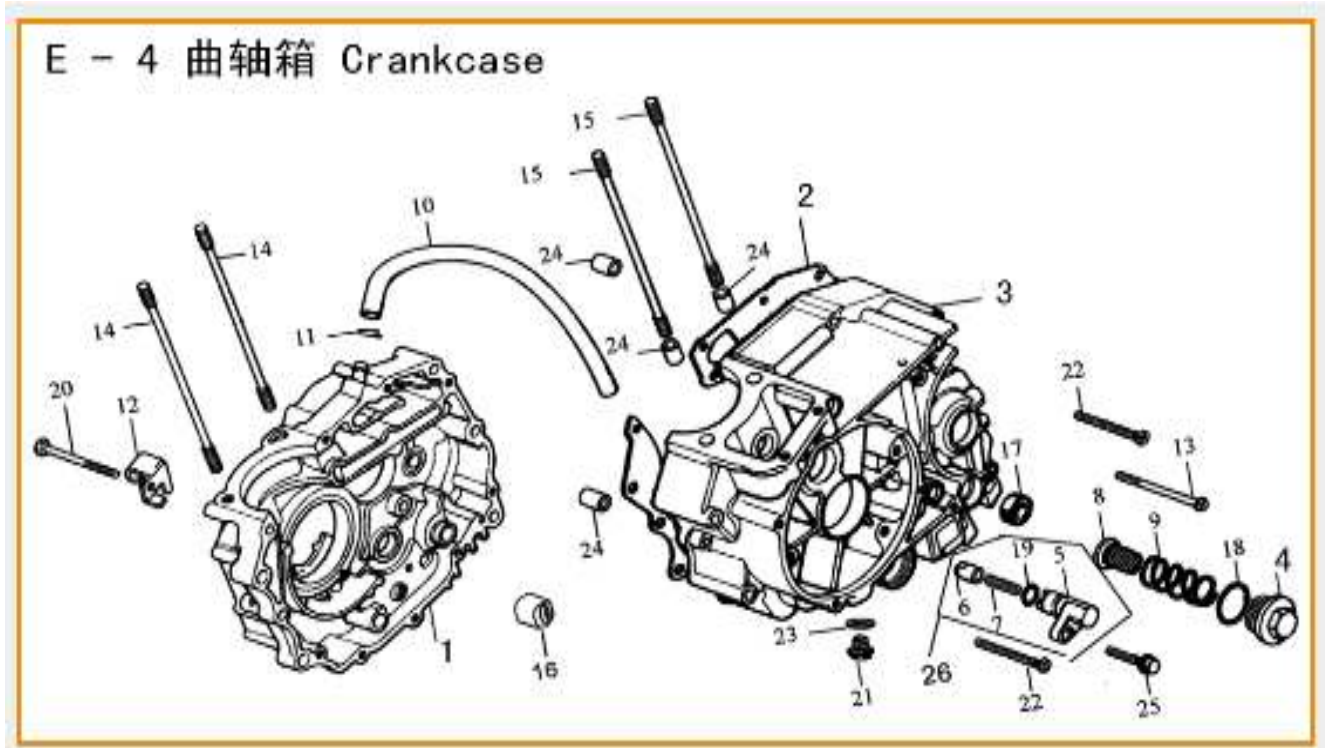
1562-1	Valve Stem Oil Seal
1562-2	Push Rod Support
1562-3	Timing Driven Gear
1562-4	Rocker Arm Bracket Comp.
1562-5	Lower Rocker Arm
1562-6	Lower Rocker Arm Shaft
1562-7	Camshaft
1562-8	Camshaft Spring
1562-9	Push Rod
1562-10	Intake Valve
1562-11	Exhaust Valve
1562-12	Valve Outer Spring
1562-13	Valve Inner Spring
1562-14	Valve Spring Retainer

1562-15	Valve Outer Spring Seat
1562-16	Valve Inner Spring Seat
1562-17	Valve Split Cone
1562-18	Valve Adjusting Screw
1562-19	Bolt M8x28
1562-20	Valve Locknut
1562-21	Camshaft Washer
1562-22	Rocker Shaft Washer
1562-23	Lower Rocker Wave Washer
1562-24	Camshaft O-Ring 20x2.5
1562-25	Lower Rocker O-Ring 17x2.5
1562-26	Camshaft Stopper
1562-27	Bolt M6x12

E-3 右曲轴箱盖 Right Crankcase Cover

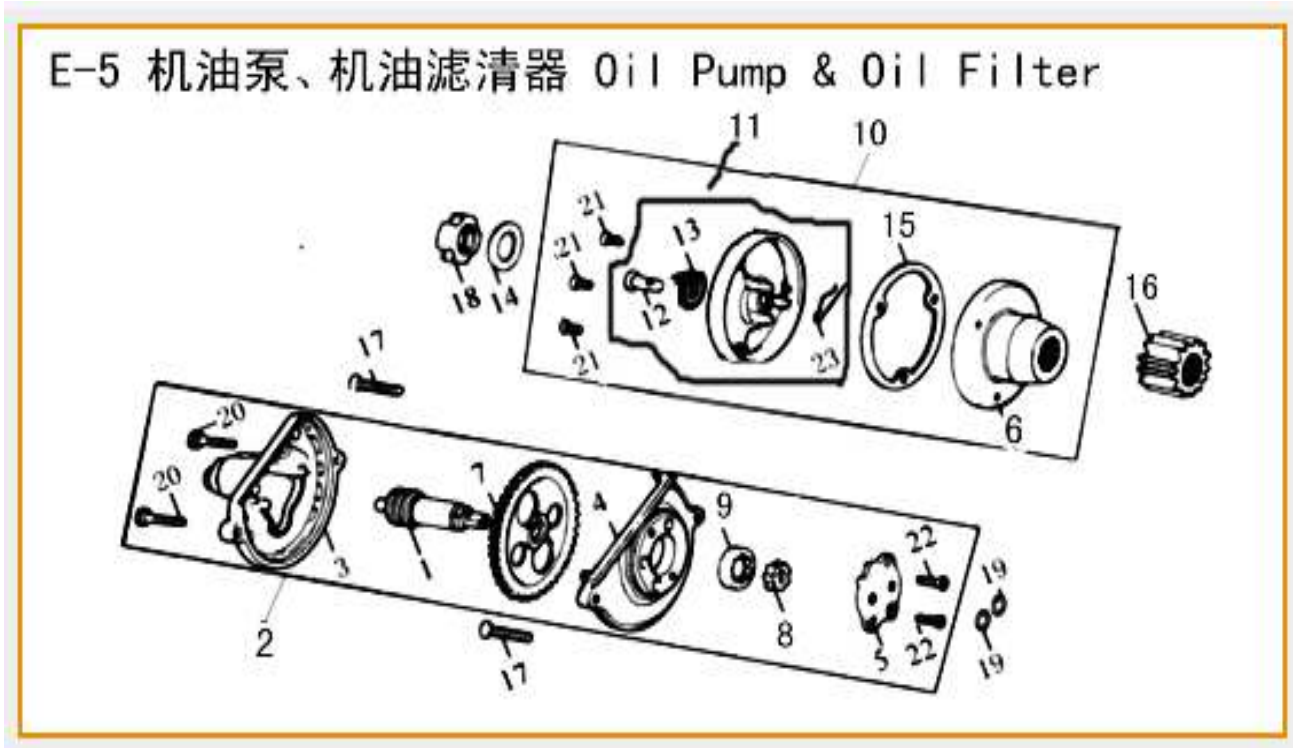


1563-1	Crankcase Cover, RH	
1563-2	Crankcase Cover Gasket, RH	
1563-3	Speed Output Shaft	
1563-4	Dipstick	
1563-5	Clutch Lever Comp.	
1563-6	Clutch Lever Spring	
1563-7	Clutch Separating Cam	
1563-8	Speed Output Shaft Washer	
1563-9	Speed Output Shaft Oil Seal 6.5x14.5x7	
1563-10	Oil Seal 16x28x7	
1563-11	Clutch Lever O-Ring 6.8x1.9	
1563-12	Dipstick O-Ring 18x3	
1563-13	Screw M6x40	
1563-14	Screw M6x50	
1563-15	Screw M5x30	
1563-16	Split Pin 2x30	
1563-17	Crankcase Cover Dowel Pin 8x14,RH	



1564-1	Crankcase Comp., RH
1564-2	Crankcase Gasket
1564-3	Crankcase Comp., LH
1564-4	Oil Filter Screen Cover
1564-5	Pin-Keeping Block
1564-6	Pin-Keeping
1564-7	Pin-Keeping Spring
1564-8	Oil Filter Screen
1564-9	Oil Filter Screen Spring
1564-10	Crankcase Exhaust Pipe
1564-11	Crankcase Exhaust Pipe Clip
1564-12	Clutch Cable Adjusting Stay
1564-13	Bolt M6x95

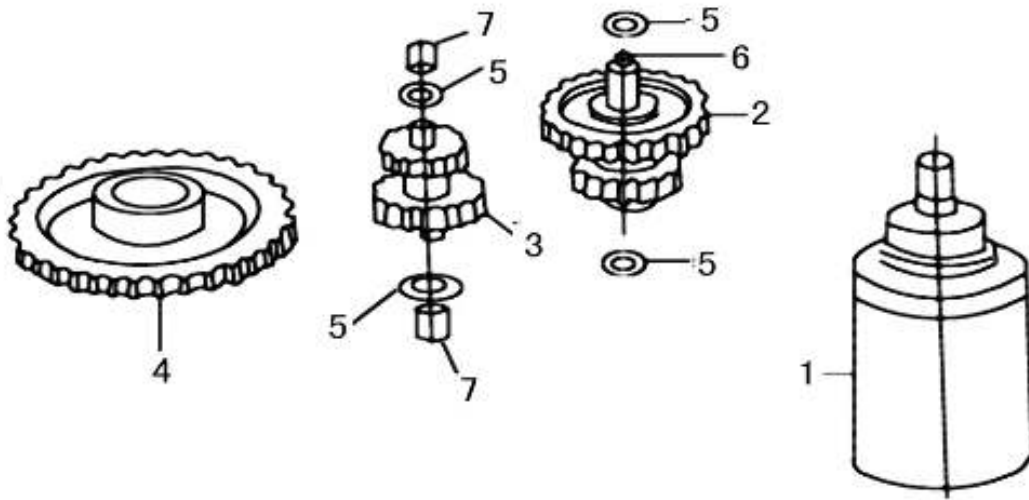
1564-14	Cylinder Stud A
1564-15	Cylinder Stud B
1564-16	Needle Bearing Hk212810
1564-17	Gearshift Shaft Oil Seal 14x28x7
1564-18	Oil Filter Screen Cover O-Ring 35.5x3
1564-19	Crankcase O-Ring 13x2.5,LH
1564-20	Bolt M6x55
1564-21	Drain Plug
1564-22	Bolt M6x50
1564-23	Drain Plug Washer
1564-24	Crankcase Dowel Pin 10x14
1564-25	Bolt M6x25
1564-26	Pin-Keeping Body Comp.



1565-1	Oil Pump Shaft
1565-2	Oil Pump Assy
1565-3	Oil Pump Gear Cover
1565-4	Oil Pump Body
1565-5	Oil Pump Cover
1565-6	Oil Filter Rotator Comp.
1565-7	Oil Pump Driven Gear
1565-8	Oil Pump Inner Rotor
1565-9	Oil Pump Outer Rotor
1565-10	Oil Filter Assy
1565-11	Filter Cover
1565-12	Crankshaft Oil Pipe

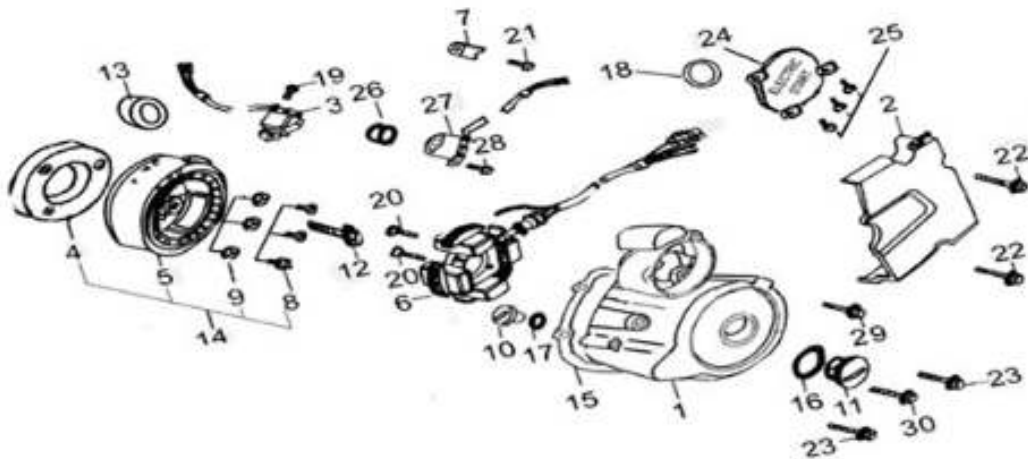
1565-13	Crankshaft Oil Pipe Spring
1565-14	Primary Drive Gear Thrust Washer
1565-15	Oil Filter Cover Gasket
1565-16	Primary Drive Gear
1565-17	Screw M6x30
1565-18	Primary Drive Gear Locknut
1565-19	Oil Pump Fixing Cover O-Ring 9.4x2.4
1565-20	Bolt M5x20
1565-21	Screw M5x12
1565-22	Screw M4x12
1565-23	Oil Filter Snap Ring

**E-6 起动电机 Starting Motor**



1566-1	Motor Assy Starting	
1566-2	Dual-Gear Comp.?	
1566-3	Dual-Gear Comp. II	
1566-4	Starting Clutch Gear Comp.	
1566-5	Dual-Gear Washer	
1566-6	Dual-Gear Shaft Comp.	
1566-7	Needle Bearing Hk101410	

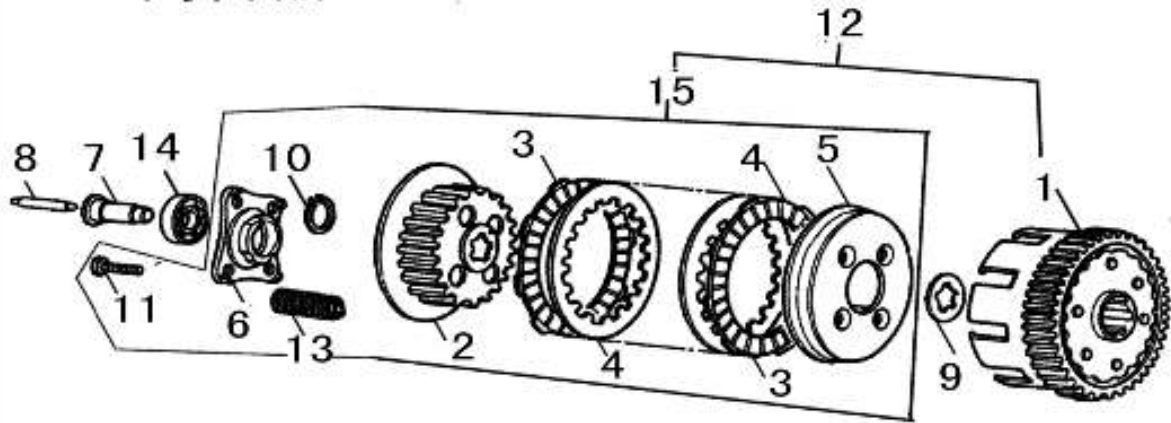
E-7 磁电机 Magneto



1567-1	Crankcase Cover, LH
1567-2	Rear Cover, LH
1567-3	Induction Coil
1567-4	Starting Clutch Assy
1567-5	Magneto Rotor Comp.
1567-6	Magneto Stator Comp.
1567-7	Magneto Wire Clip
1567-8	Screw M8x30
1567-9	Spring Washer F8
1567-10	View Hole Plug
1567-11	Plug
1567-12	Magneto Locknut
1567-13	Crankshaft Oil Seal, LH (50x34x7)
1567-14	Magneto Rotor Assy
1567-15	Crankcase Cover Gasket, LH

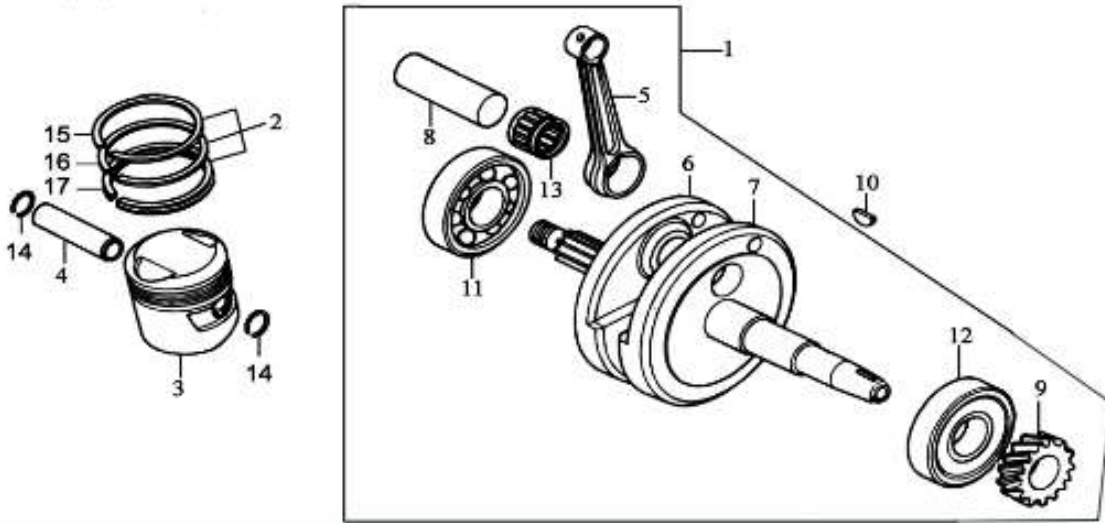
1567-16	Plug O-Ring 27.5x2.5
1567-17	Watch Hole Plug O-Ring 13.8x2.5
1567-18	O-Ring 63x3
1567-19	Screw M5x16
1567-20	Screw M5x30
1567-21	Bolt M6x12
1567-22	Bolt M6x28
1567-23	Bolt M6x40
1567-24	Idler Cover
1567-25	Screw M6x20
1567-26	Neutral Indicator Oil Seal
1567-27	Gear Indicator
1567-28	Bolt M6x12
1567-29	Bolt M6x25
1567-30	Bolt M6x50

**E-8 离合器 Clutch**

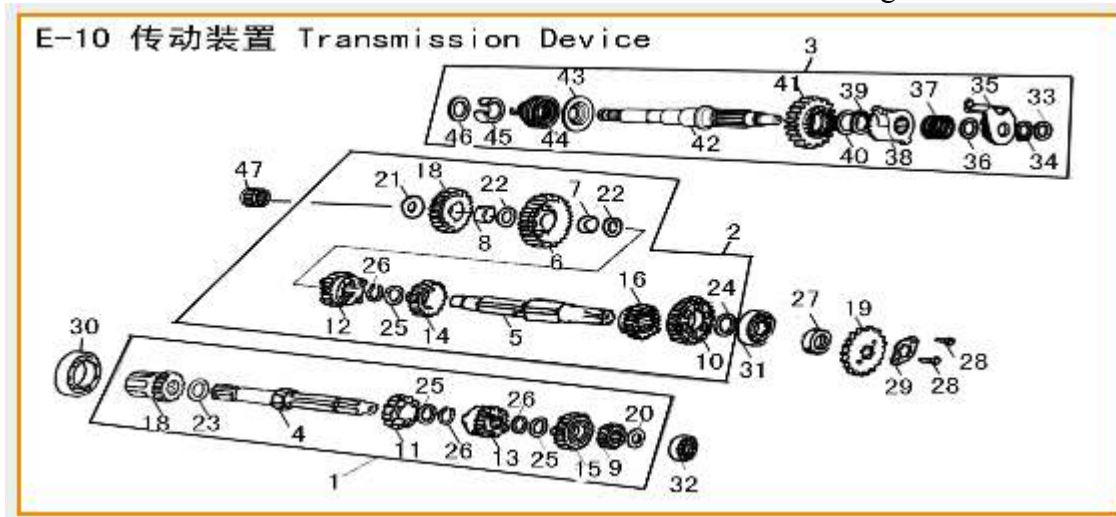


1568-1	Drive Disc Set	
1568-2	Driven Disc Set	
1568-3	Drive Plate	
1568-4	Driven Plate	
1568-5	Clutch Pressure Plate	
1568-6	Clutch Lifter Plate	
1568-7	Clutch Pusher	
1568-8	Clutch Mandrel	
1568-9	Clutch Spline Washer	
1568-10	Circlip 17	
1568-11	Bolt M6x25	
1568-12	Clutch Main Body,	
1568-13	Clutch Spring,(4PCS)	
1568-14	Bearing 6001	
1568-15	Driven Disc Assy	

**E-9 曲轴、活塞 Crankshaft & Piston**

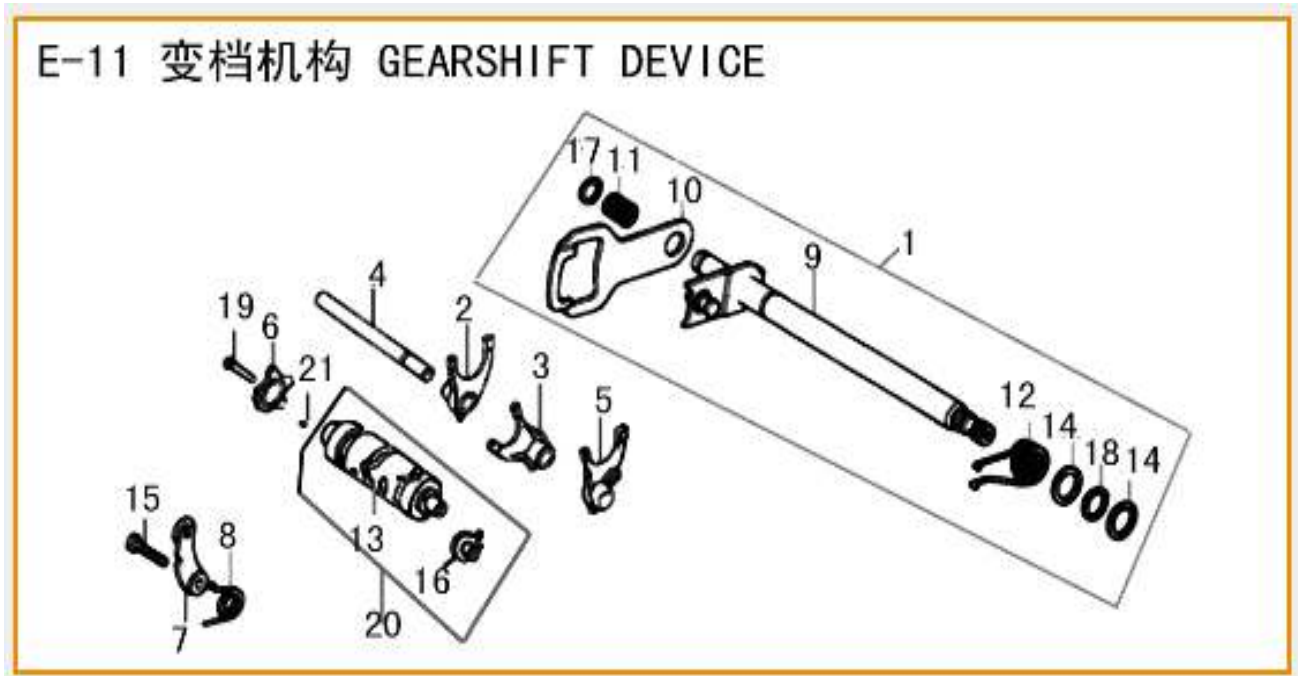


1569-1	Crankshaft & Connecting Rod	
1569-2	Piston Ring Set	
1569-3	Piston	
1569-4	Piston Pin	
1569-5	Connecting Rod	
1569-6	Crankshaft, RH	
1569-7	Crankshaft, LH	
1569-8	Crankshaft Pin	
1569-9	Timing Drive Gear	
1569-10	\Crankshaft Woodruff Key	
1569-11	Crankshaft Bearing, RH	
1569-12	Crankshaft Bearing, LH	
1569-13	Connecting Rod Big End Bearing	
1569-14	Piston Pin Circlip	
1569-15	Piston Ring I	
1569-16	Piston Ring II	
1569-17	3-Piece Oil Ring	



15610-1	Mainshaft Assy
15610-2	Countershaft Assy
15610-3	Starting Shaft Assy
15610-4	Mainshaft
15610-5	Countershaft
15610-6	Countershaft First Gear
15610-7	Countershaft 1st Gear Bush
15610-8	Starting Mid-Gear Bush
15610-9	Mainshaft Second Gear
15610-10	Countershaft Second Gear
15610-11	Mainshaft Third Gear
15610-12	Countershaft Third Gear
15610-13	Mainshaft Fourth Gear
15610-14	Countershaft Fourth Gear
15610-15	Mainshaft Fifth Gear
15610-16	Countershaft 5th Gear
15610-17	Starting Driven Gear
15610-18	Starting Mid-Gear Comp.
15610-19	Output Sprocket
15610-20	Mainshaft Washer
15610-21	Starting Mid-Gear Washer
15610-22	Countershaft Washer
15610-23	Washer
15610-24	Countershaft Washer II

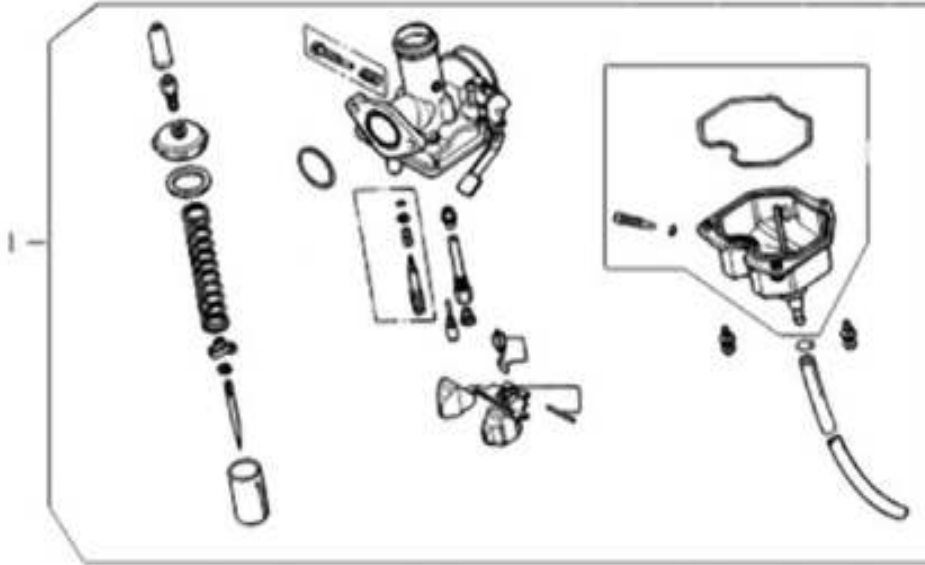
15610-25	Mainshaft Spline Washer
15610-26	Circlip
15610-27	Oil Seal 20x34x7
15610-28	Bolt M6x10
15610-29	Sprocket Locating Plate
15610-30	Bearing 6106
15610-31	Bearing 6204
15610-32	Bearing 6202
15610-33	Starting Shaft Washer III
15610-34	Circlip
15610-35	Ratchet Guide
15610-36	Starting Shaft Washer II
15610-37	Starting Shaft Spring
15610-38	Ratchet
15610-39	Circlip 20
15610-40	Starting Shaft Washer I
15610-41	Starting Gear
15610-42	Starting Shaft
15610-43	Starting Shaft Spring Seat
15610-44	Starting Torsion Spring
15610-45	Starting Shaft Sleeve
15610-46	Starting Shaft Washer IV
15610-47	Bearing HK152312



15611-1	Gearshift Shaft Assy
15611-2	Fork III
15611-3	Fork II
15611-4	Fork Shaft
15611-5	Fork I
15611-6	Gearshift Cam
15611-7	Limit Block
15611-8	Limit Block Torsion Spring
15611-9	Gearshift Shaft
15611-10	Gearshift Shifter
15611-11	Gearshift Spring

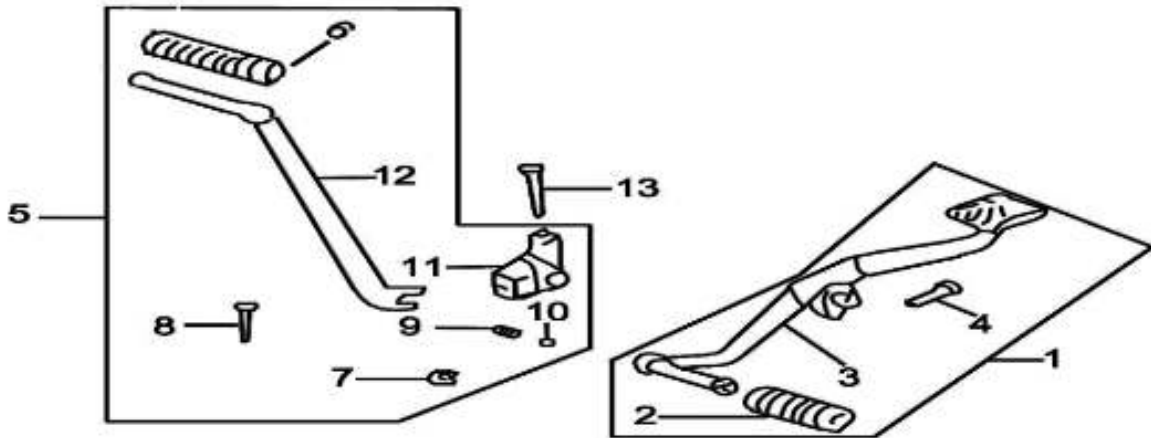
15611-12	Gearshift Shaft Reset Spring
15611-13	Gearshift Drum
15611-14	Gearshift Shaft Washer
15611-15	Bolt M6x20
15611-16	Gear Indicator Contactor Comp.
15611-17	Circlip 12
15611-18	Circlip 14
15611-19	Bolt M6x25
15611-20	Gearshift Drum Comp.
15611-21	Gearshift Cam Pin B4x10

E-12 化油器 CARBURETOR



15612-1	Carburetor Assy	
---------	-----------------	--

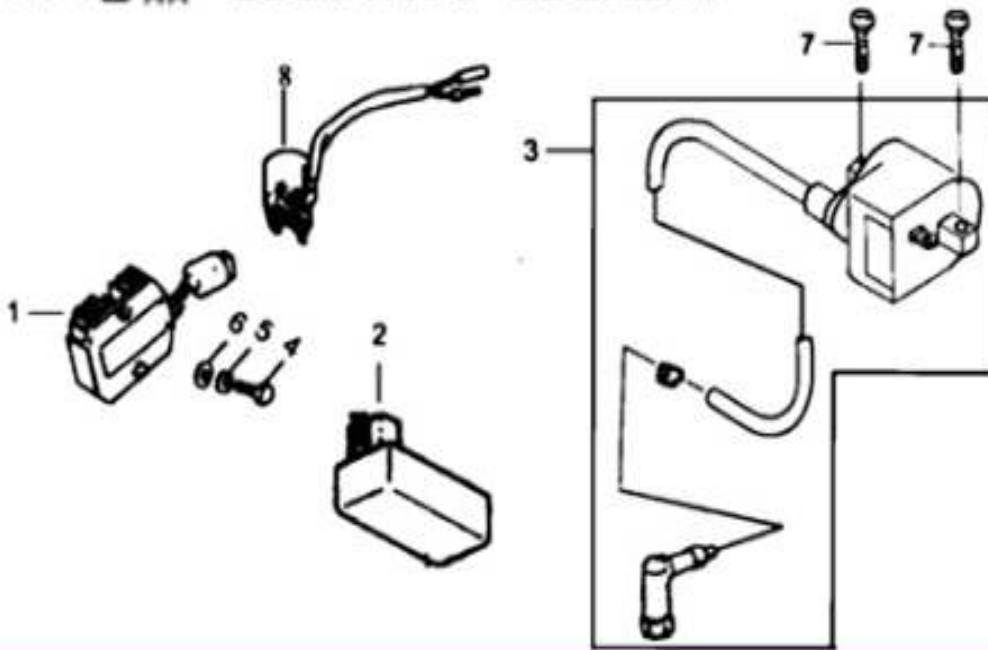
E-13 变档杆、起动杆 GEARSHIFT PEDAL & STARTING ARM



15613-1-5	Gearshift Pedal Assy for ML125-5	*****
15613-1-7	Gearshift Pedal Assy for ML125-7	*****
15613-2	Gearshift Pedal Rubble Boot	
15613-3	Gearshift Weldment	*****
15613-4	Bolt M6x20	
15613-5-5	Starting Arm Assy for ML125-5	*****
15613-5-7	Starting Arm Assy for ML125-7	*****
15613-6	Starting Arm Assy Rubber Boot	
15613-7	Lock Ring 6	
15613-8	Starting Arm Assy Pin	
15613-9	Starting Arm Assy Spring	
15613-10	Steel Ball 8	
15613-11	Starting Arm Assy Joint	
15613-12	Starting Arm	*****
15613-13	Bolt M8x40	

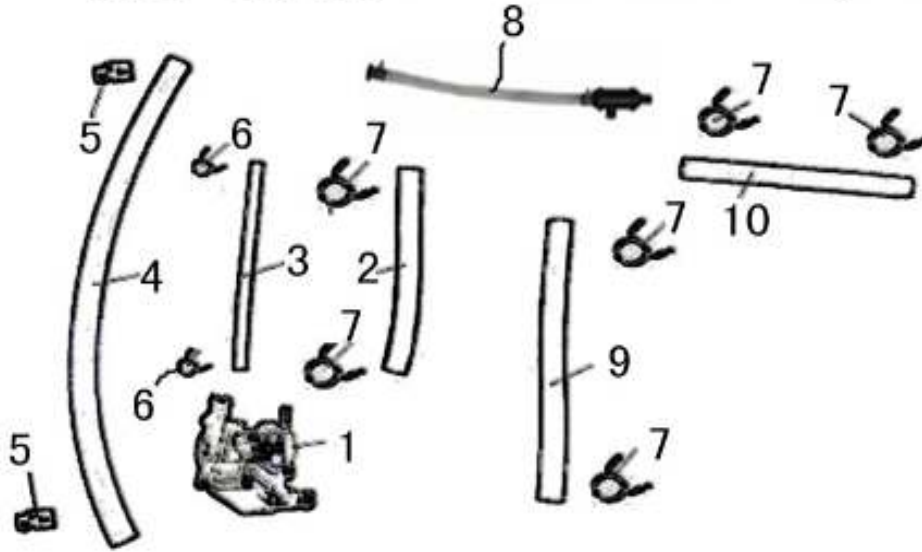
\*\*\*\*\* Part is different between ML125-5 and ML125-7.

**E-14 电器 ELECTRIC ELEMENT**



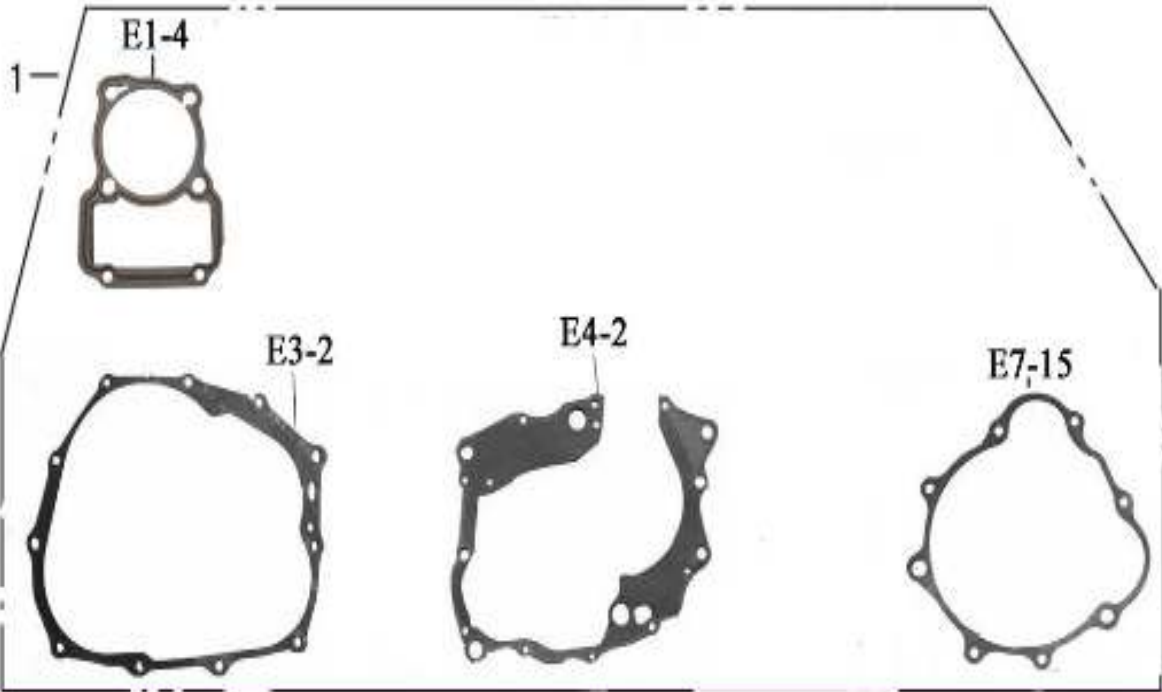
15614-1	Voltage Regulator	125722-6
15614-2	Ignition Controller	125722-4
15614-3	Ignition Coil	125722-3
15614-4	Bolt M6x20	
15614-5	Spring Washer 6	
15614-6	Washer 6	
15614-7	Bolt M6x25	
15614-8	Starting Relay	125722-7

E-15 二次进气系统 Second inlet system



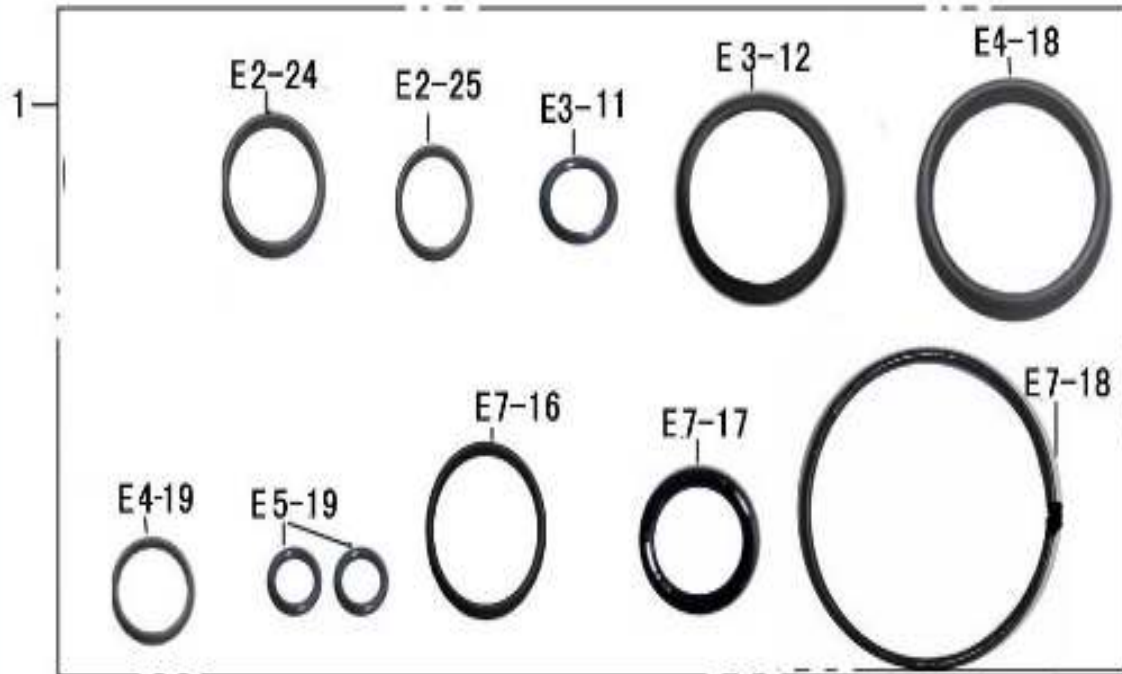
15615-1	Secondary Air Aeration Valve Comp.	
15615-2	Secondary Air Aeration Valve Outlet Pipe	
15615-3	Aeration Vacuum Pipe	
15615-4	Secondary Air Aeration Valve Inlet Pipe	
15615-5	Secondary Air Aeration Valve ClampF15	
15615-6	Crankcase Exhaust Pipe Circlip(I), F7	
15615-7	Crankcase Exhaust Pipe Circlip(II),F15	
15615-8	Air/Fuel Separator	
15615-9	Crankcase Exhaust Pipe I	
15615-10	Crankcase Exhaust Pipe II	

**E-16 全套纸垫 A FULL SET OF GASGETS**



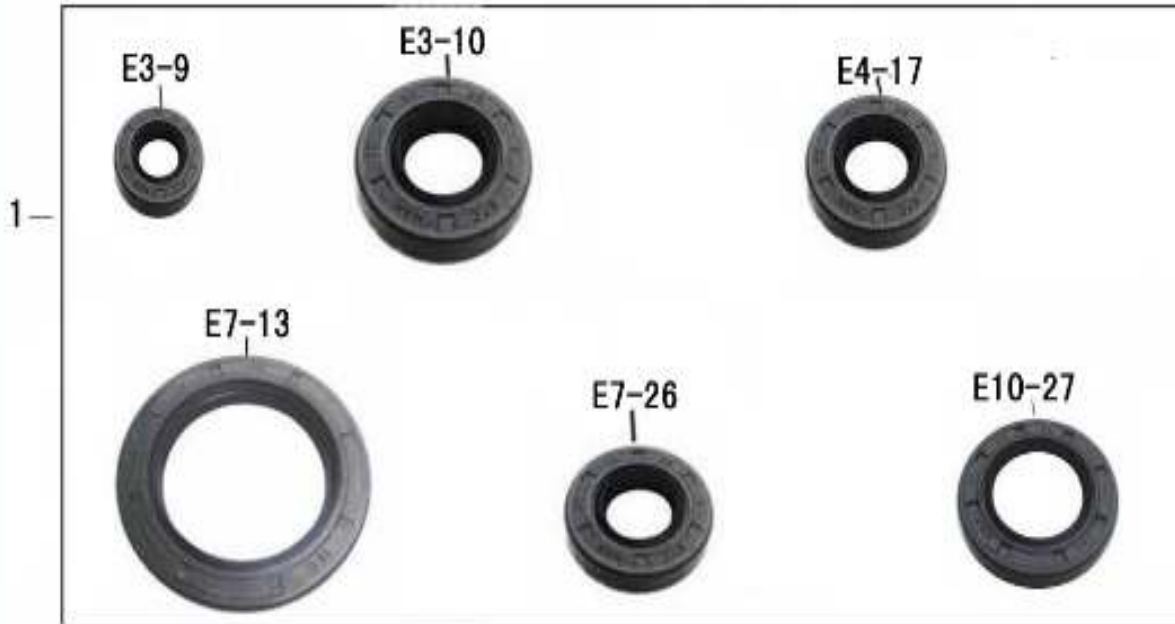
15616-1	A Full Set Of Gaskets	
---------	-----------------------	--

**E-17 全套 O 型圈 A FULL SET OF O-RINGS**



15617-1	A Full Set Of O-Rings	
---------	-----------------------	--

**E-18 全套油封 A FULL SET OF OIL SEALS**



15618-1

A Full Set Of Oil Seals

**E-19 全套轴承 A FULL SET OF BEARINGS**



15619-1	A Full Set Of Bearings	
---------	------------------------	--



# MIL125-7

## Parts Catalog

- ✓ **Always wear a helmet while driving Motorcycles**
- ✓ **Always have your headlights on while driving, even during the day – for safety reasons and longer battery life**
- ✓ **Make sure all lights work properly at all times**
- ✓ **Always drive with Insurance Coverage, Licensed Motorcycle and Motorcycle Driver's License**
- ✓ **Change oil (SAE15W/40SE) after the first 500 KMs and after every 2,000 KMs**
- ✓ **Use Regular Gas**
- ✓ **Always Drive with Awareness for SAFETY.**



## Meilun Motorcycle Warranty Policy

Meilun Motorcycles are under 3 months or 2,000 KMs warranty – whichever comes first. Specific items under warranty are:

- The Engine, and its related parts
- Cables, Horn, Switches
- And any other manufacturer's defect on motorcycle.

The following items are *not* covered under this warranty:

- Tires, Tubes, Chain & Sprockets
- Covers, Mirrors, Light Lenses, Alarm System
- Battery – unless convincing evidence shows defect
- And any other damages or wear & tear occurring under the owner's care.



**ML100-A**



**ML150-9J**



**ML125T-26**



**ML250-4**



**ML125-5**



**ML200GY-5**



**ML125-7**



**ML150ZH-3**