

# ML125-5

## Frame & Engine Parts

### 2013 Edition



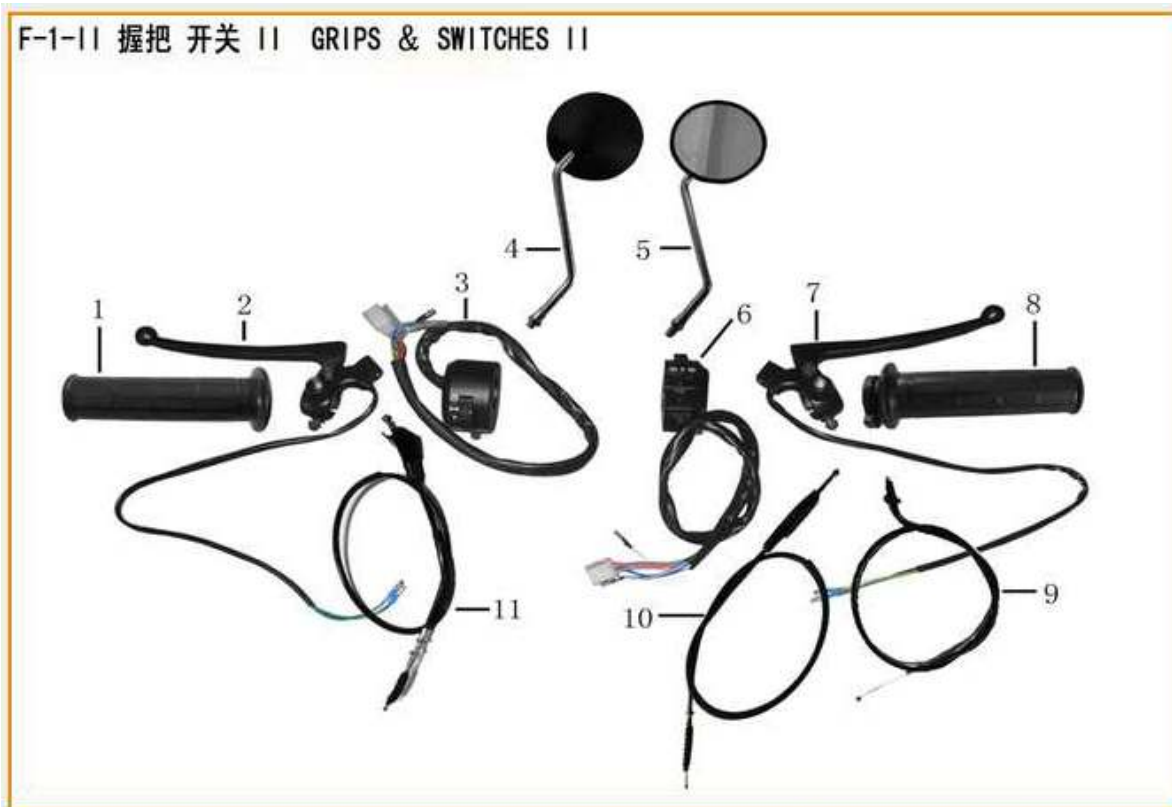
# UNIVERSAL

## H A R D W A R E<sup>®</sup>

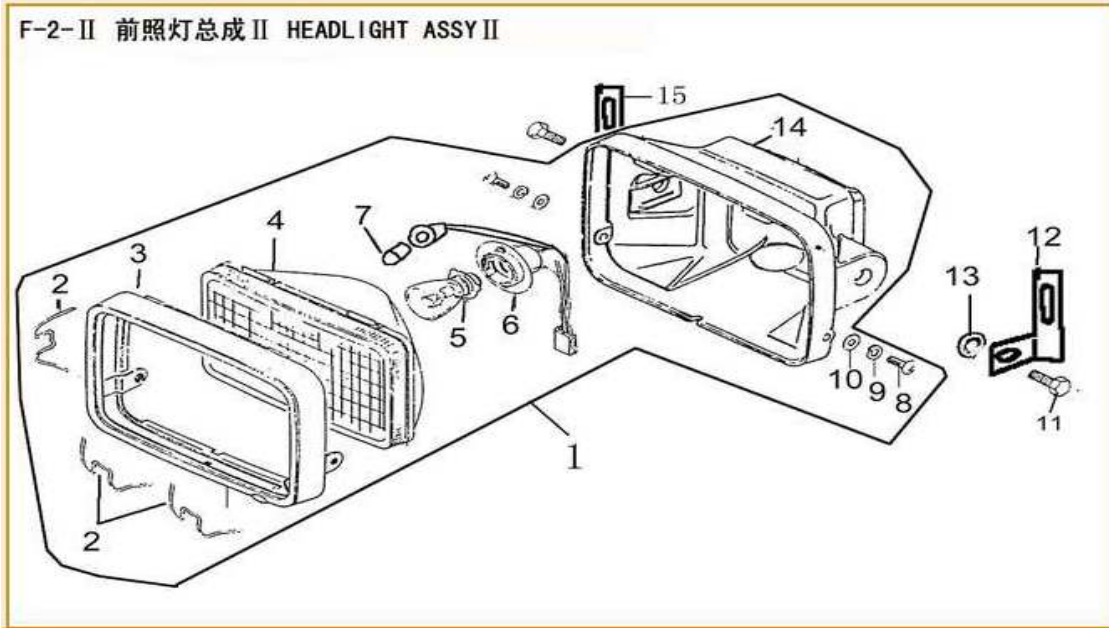
Box 585, Center Road  
Spanish Lookout  
Tel 501 823 0254  
[sales@universalhardware.bz](mailto:sales@universalhardware.bz)

3380 Chetumal Street  
Belize City  
Tel 501 224 4140  
[salesbz@universalhardware.bz](mailto:salesbz@universalhardware.bz)

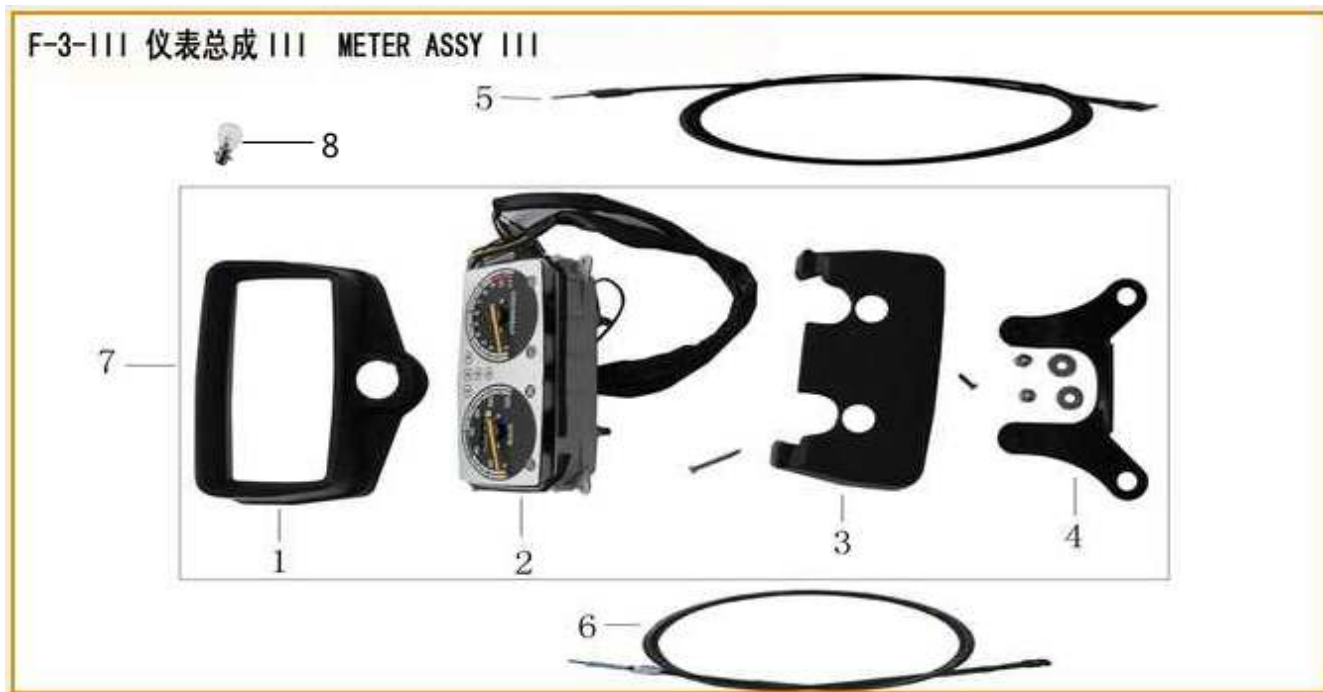
F-1-II 握把 开关 II GRIPS & SWITCHES II



12551-1	Grip, LH	
12551-2	Front Brake Lever Comp.	
12551-3	Handlebar Switch, LH	
12551-4	Rearview Mirror, LH	
12551-5	Rearview Mirror, RH	
12551-6	Handlebar Switch, RH	
12551-7	Clutch Lever Comp.	
12551-8	Throttle Grip Comp.	
12551-9	Throttle Cable	
12551-10	Front Brake Cable	
12551-11	Clutch Cable	

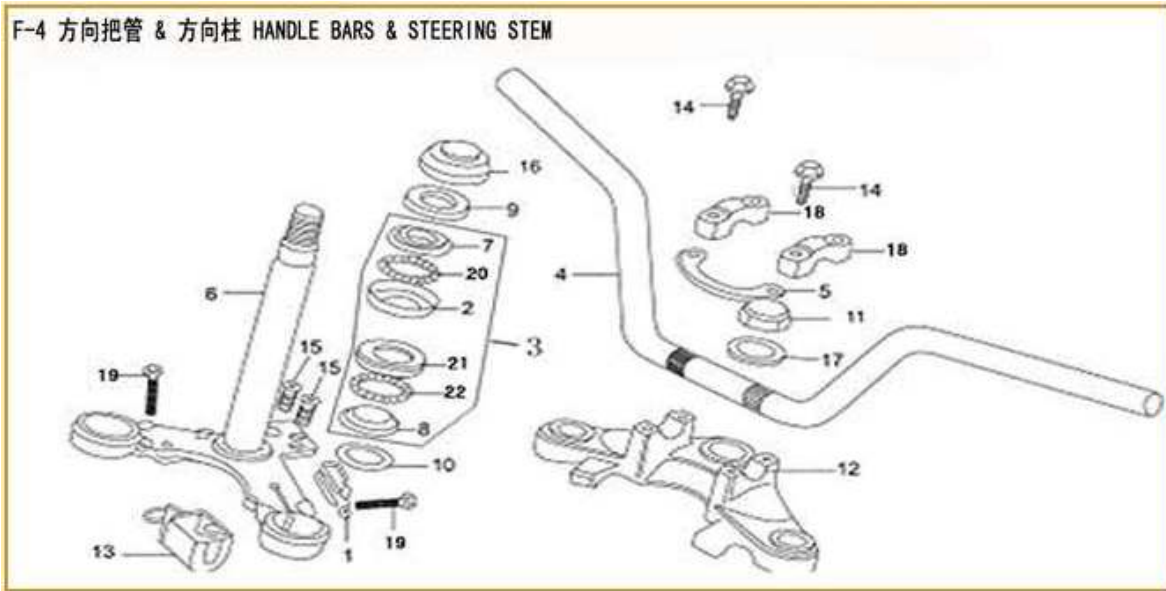


12552-1	Headlight Assy	
12552-2	Circlip	
12552-3	Parking Light Socket Comp.	
12552-4	Headlight Lens Comp.	
12552-5	Bulb,12V 35W/5W	
12552-6	Headlight Socket Comp.	
12552-7	Bulb,12V-4W	
12552-8	Screw M5x12	
12552-9	Spring Washer 5	
12552-10	Washer 5	
12552-11	Bolt M8X25	
12552-12	Fairing Connecting Plate, LH	
12552-13	Headlight Grommet	
12552-14	Headlight Housing Comp.	
12552-15	Fairing Connecting Plate, RH	



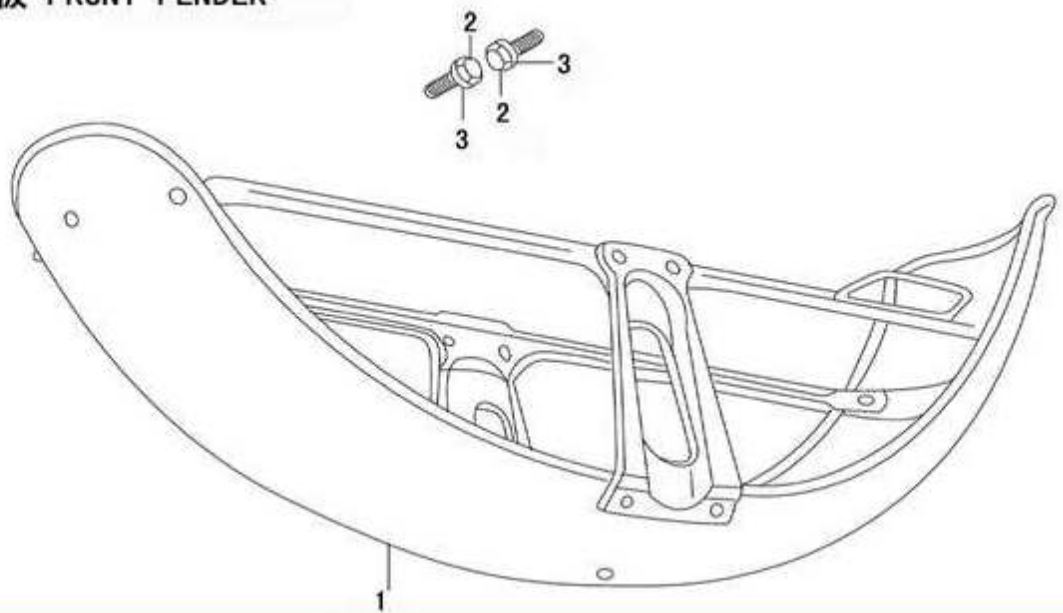
12553-1	Meter Lens Comp.	
12553-2	Odometer Comp.	
12553-3	Meter Hood Comp.	
12553-4	Meter Stay	
12553-5	Tachometer Cable Comp.	
12553-6	Odometer Cable Comp.	
12553-7	Meter Assy	
12553-8	Bulb – 1.7w for Meter	

F-4 方向把管 & 方向柱 HANDLE BARS & STEERING STEM



12554-1	Cable Clamp	
12554-2	Top Bearing Bottom Ball Race	
12554-3	Steering Stem Bearing Set	
12554-4	Steering Bar Pipe Comp.	
12554-5	Clamp	
12554-6	Steering Stem	
12554-7	Top Bearing Top Ball Race	
12554-8	Bottom Bearing Bottom Ball Race	
12554-9	Washer	
12554-10	Dust Ring, Steering Stem	
12554-11	Locknut	
12554-12	Top Steering Stem Connection Board	
12554-13	Steering Lock	
12554-14	Bolt M6x30	
12554-15	Screw M6x12	
12554-16	Steering Stem Adjusting Nut	
12554-17	Washer 25	
12554-18	Steering Bar Clamp	
12554-19	Bolt M6x12	
12554-20	Steel Ball F4.763	
12554-21	Bottom Bearing Top Ball Race	
12554-22	Steel Ball F4.763	

**F-5 前挡泥板 FRONT FENDER**

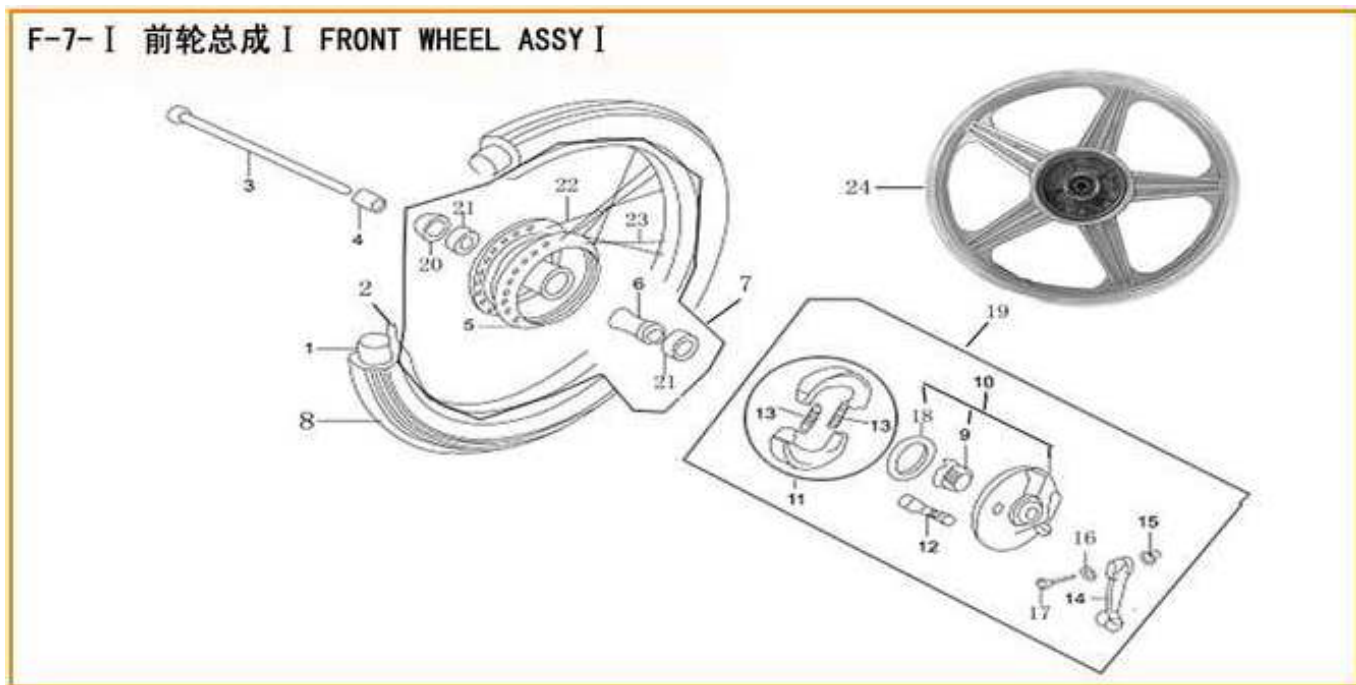


12555-1	Front Fender Comp.	
12555-2	Bolt M6X25	
12555-3	Washer 6	

**F-6 前减震器 FRONT SHOCK ABSORBER**

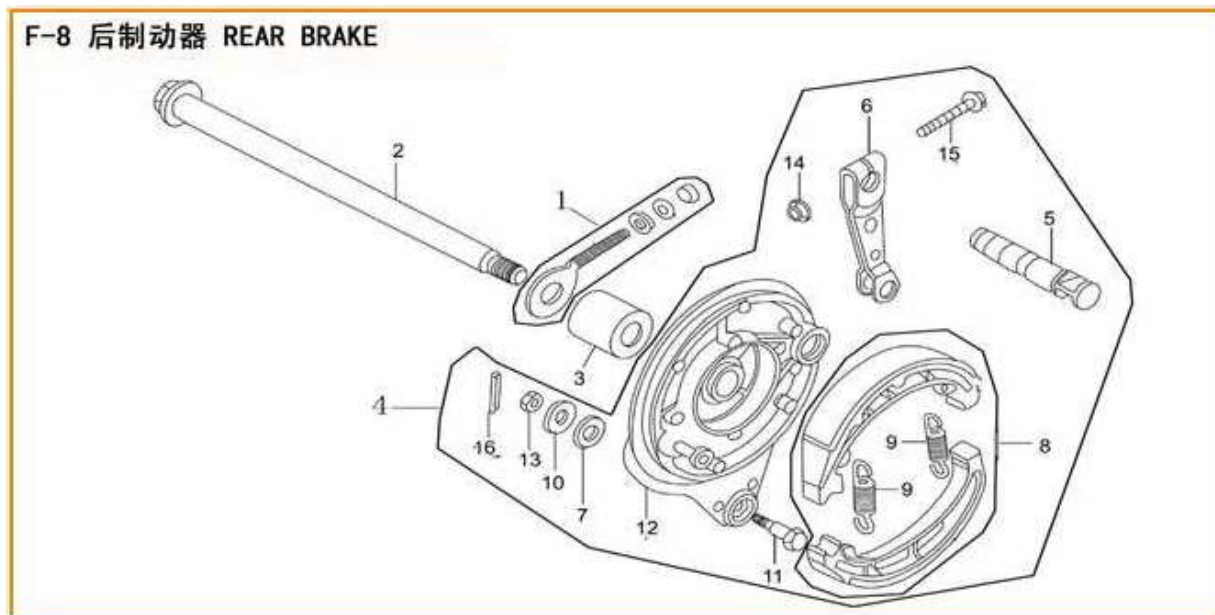


12556-1	Lip Bolt	
12556-2	Top Rubber Ring, Headlight Bracket	
12556-3	Headlight Stay Comp. LH	
12556-4	Headlight Stay Comp. RH	
12556-5	Front Reflector	
12556-6	Front Reflector Grommet	
12556-7	Grommet 6	
12556-8	Front Shock Absorber, LH Disk Brake	
12556-9	Front Shock Absorber, LH	
12556-10	Front Shock Absorber, RH	

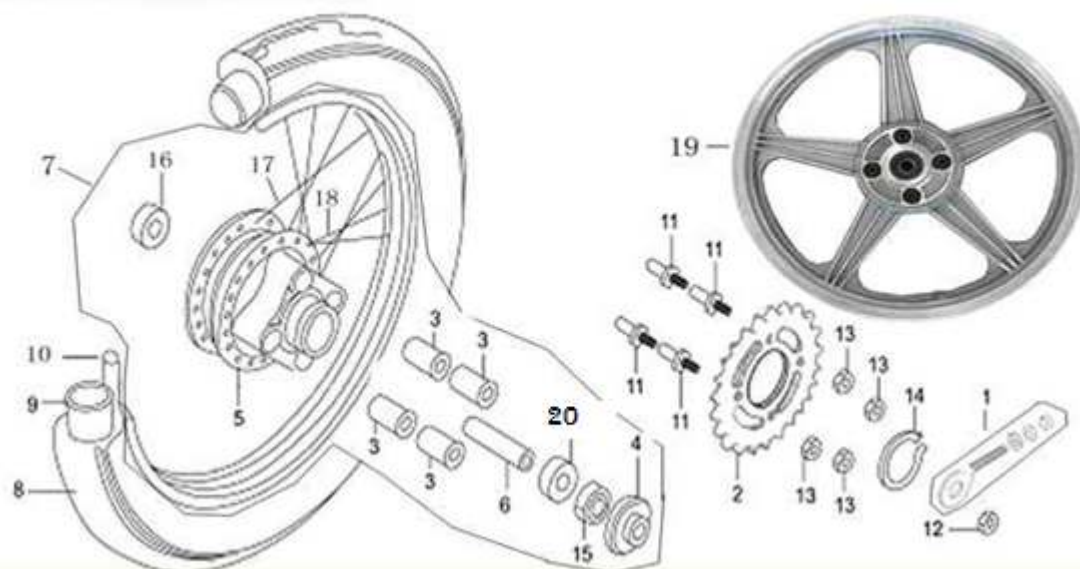


12557-1	Front Tube	
12557-2	Front Tyre Flap	
12557-3	Front Axle	
12557-4	Front Wheel Right Bush	
12557-5	Front Wheel Hub Set	
12557-6	Front Wheel Inner Bush	
12557-7	Front Wheel Rim Comp.	
12557-8	Front Tyre	
12557-9	Gear	
12557-10	Front Brake Cover Comp.	
12557-11	Front Brake Shoe Set	
12557-12	Front Brake Cam	
12557-13	Front Brake Shoe Spring	

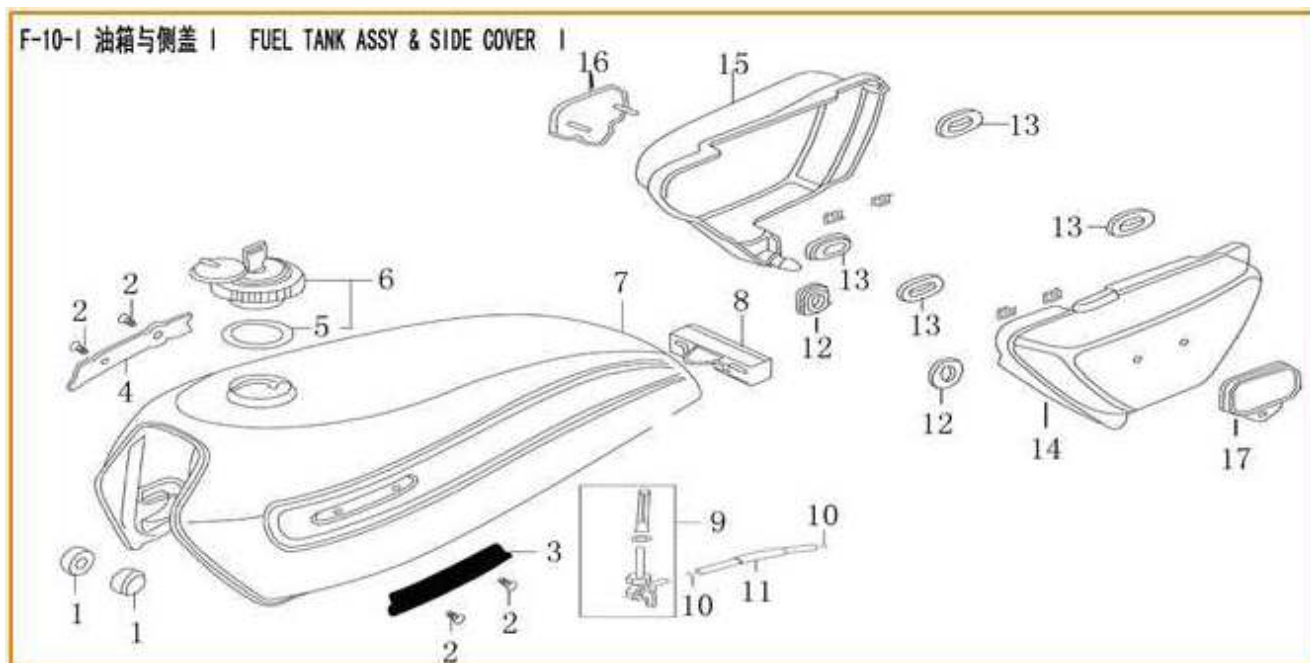
12557-14	Front Brake Arm	
12557-15	Nut M6	
12557-16	Washer 6	
12557-17	Bolt	
12557-18	Oil Seal	
12557-19	Front Brake Assy	
12557-20	Oil Seal	
12557-21	Bearing 6301 LH & RH	
12557-22	Inner Spoke, Front Wheel	
12557-23	Outer Spoke, Front Wheel	
12557-24	Front Wheel Rim Comp.	



12558-1	Chain Adjuster Set	
12558-2	Rear Axle	
12558-3	Rear Wheel Right Bush	
12558-4	Rear Brake	
12558-5	Rear Brake Cam	
12558-6	Rear Brake Arm	
12558-7	Stop Bolt Rubber	
12558-8	Rear Brake Shoe Set	
12558-9	Spring, Rear Brake Shoe	
12558-10	Washer	
12558-11	Shoulder Bolt II	
12558-12	Rear Brake Cover	
12558-13	Nut M8	
12558-14	Nut M6	
12558-15	Bolt M6x35	
12558-16	Pin 2x16	

**F-9 后轮总成 REAR WHEEL ASSY**


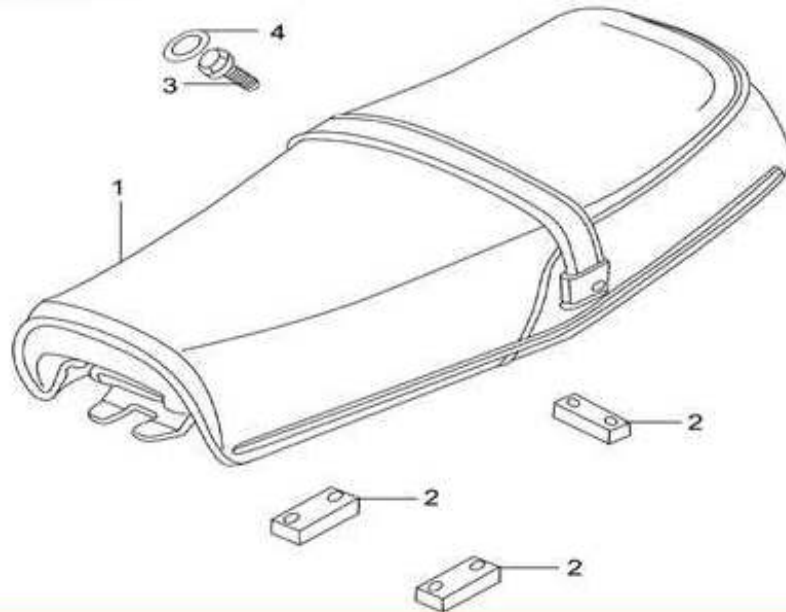
12559-1	Chain Adjuster Set	
12559-2	Sprocket	
12559-3	Rear Wheel Buffer	
12559-4	Dust Ring, Rear Wheel Hub	12578-10
12559-5	Rear Wheel Hub Set	
12559-6	Rear Wheel Hub Inner Bush	
12559-7	Rear Wheel Rim Comp.	
12559-8	Rear Tyre	
12559-9	Rear Tube	
12559-10	Rear Tyre Flap	
12559-11	Sprocket Bolt	
12559-12	Nut M14x1.25	
12559-13	Nut M10x1.25	
12559-14	Collar 58	
12559-15	Oil Seal	
12559-16	Bearing 6202 RH	
12559-17	Inner Spoke, Rear Wheel	
12559-18	Outer Spoke, Rear Wheel	
12559-19	Rear Wheel Rim Comp.	
12559-20	Bearing 6302 LH	



125510-1	Front Cushion, Fuel Tank
125510-2	Screw ST3.5X20
125510-3	Fuel Tank Mark Plate, LH
125510-4	Fuel Tank Mark Plate, RH
125510-5	Fuel Tank Lock Seal
125510-6	Fuel Tank Lock
125510-7BA	Fuel Tank Weldment - Black
125510-7BU	Fuel Tank Weldment - Blue
125510-7G	Fuel Tank Weldment - Green
125510-7R	Fuel Tank Weldment - Red
125510-8	Rear Cushion, Fuel tank
125510-9	Fuel Cock Comp.
125510-10	Hose Clip
125510-11	Hose

125510-12	Side Cover Grommet
125510-13	Grommet II
125510-14BA	Side Cover, LH Black
125510-14BU	Side Cover, LH Blue
125510-14G	Side Cover, LH Green
125510-14R	Side Cover, LH Red
125510-15BA	Side Cover, RH Black
125510-15BU	Side Cover, RH Blue
125510-15G	Side Cover, RH Green
125510-15R	Side Cover, RH Red
125510-16	Side Cover Mark Plate, RH
125510-17	Side Cover Mark Plate, LH

**F-11 座垫 SEAT ASSY**

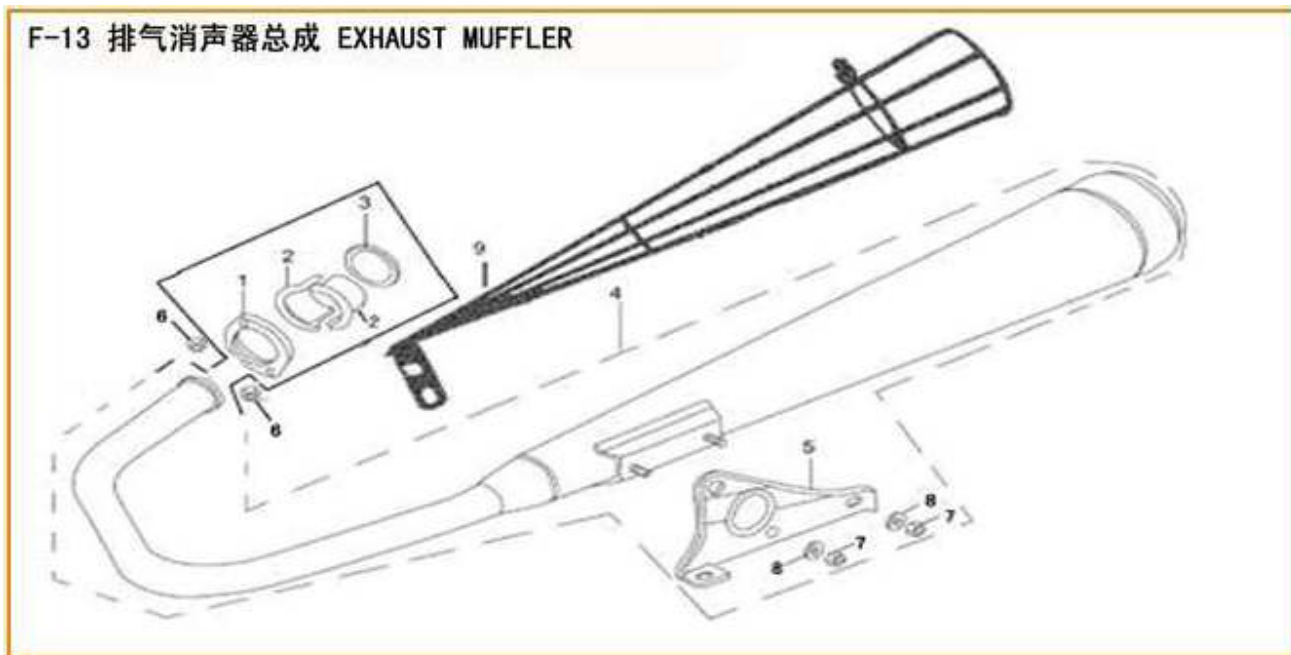


125511-1	Seat Assy	
125511-2	Front Cushion, Seat	
125511-3	Bolt M8x16	
125511-4	Washer 8	

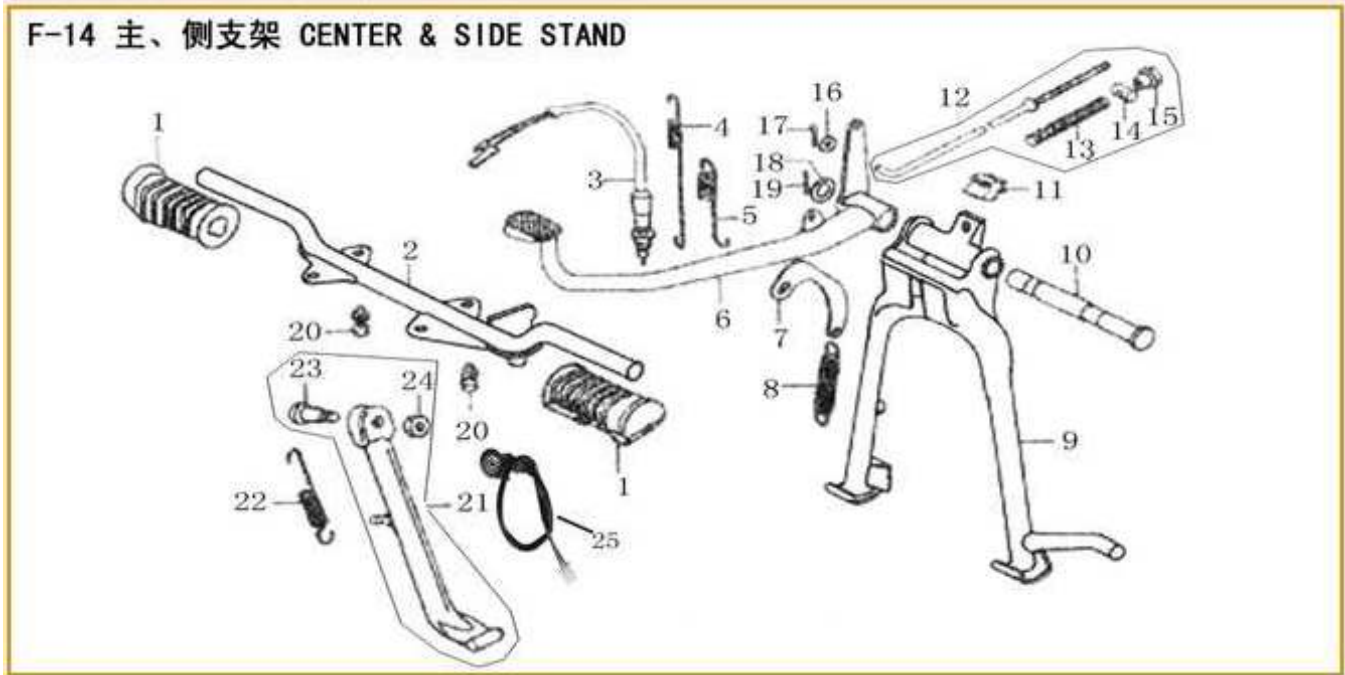
F-12 空气滤清器 蓄电池 AIR CLEANER & BATTERY



125512-1	Air Cleaner Assy	
125512-2	Air Cleaner Clamp	
125512-3	Air Cleaner Housing	
125512-4	Air Cleaner Cover	
125512-5	Air Cleaner Element Set	
125512-6	Air Cleaner Element Cover	
125512-7	Starting Relay Stay	
125512-8	Battery	
125512-9	Battery Band	
125512-10	Tool Kit	
125512-11	Air Cleaner Tube	



125513-1	Exhaust Pipe Flange	
125513-2	Exhaust Pipe Connecting Block	
125513-3	Gasket, Exhaust Muffler	
125513-4	Exhaust Muffler Comp.	
125513-5	Exhaust Pipe Connecting Plate	
125513-6	Nut M6	
125513-7	Nut M6	
125513-8	Spring Washer	
125513-9	Exhaust Pipe Hood Set	



125514-1	Rider Rubber Treadle, RH
125514-2	Rider Footrest Bracket
125514-3	Rear Brake Switch
125514-4	Spring, Rear Brake Switch
125514-5	Spring, Rear Brake Pedal
125514-6	Rear Brake Pedal Comp.
125514-7	Center Stand Spring Hanger
125514-8	Spring, Center Stand
125514-9	Center Stand Comp.
125514-10	Center Stand Shaft
125514-11	Rubber, Center Stand
125514-12	Rear Brake Link Comp.
125514-13	Spring, Rear Brake Link

125514-14	Pin, Rear Brake Link
125514-15	Steering Stem Adjusting Nut
125514-16	Washer 5
125514-17	Pin 2x16
125514-18	Washer
125514-19	Pin 3.2x26
125514-20	Bolt M8x20
125514-21	Side Stand
125514-22	Spring, Side Stand
125514-23	Shoulder Bolt I
125514-24	Nut M10x1.25
125514-25	Side Stand Switch

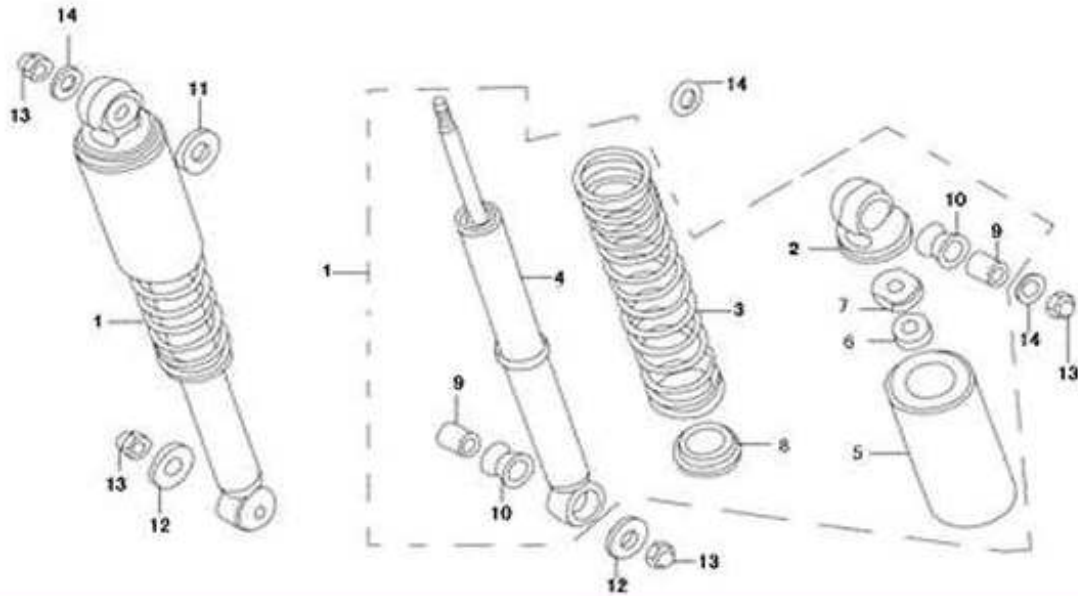
**F-15 平叉总成 REAR FORK ASSY**



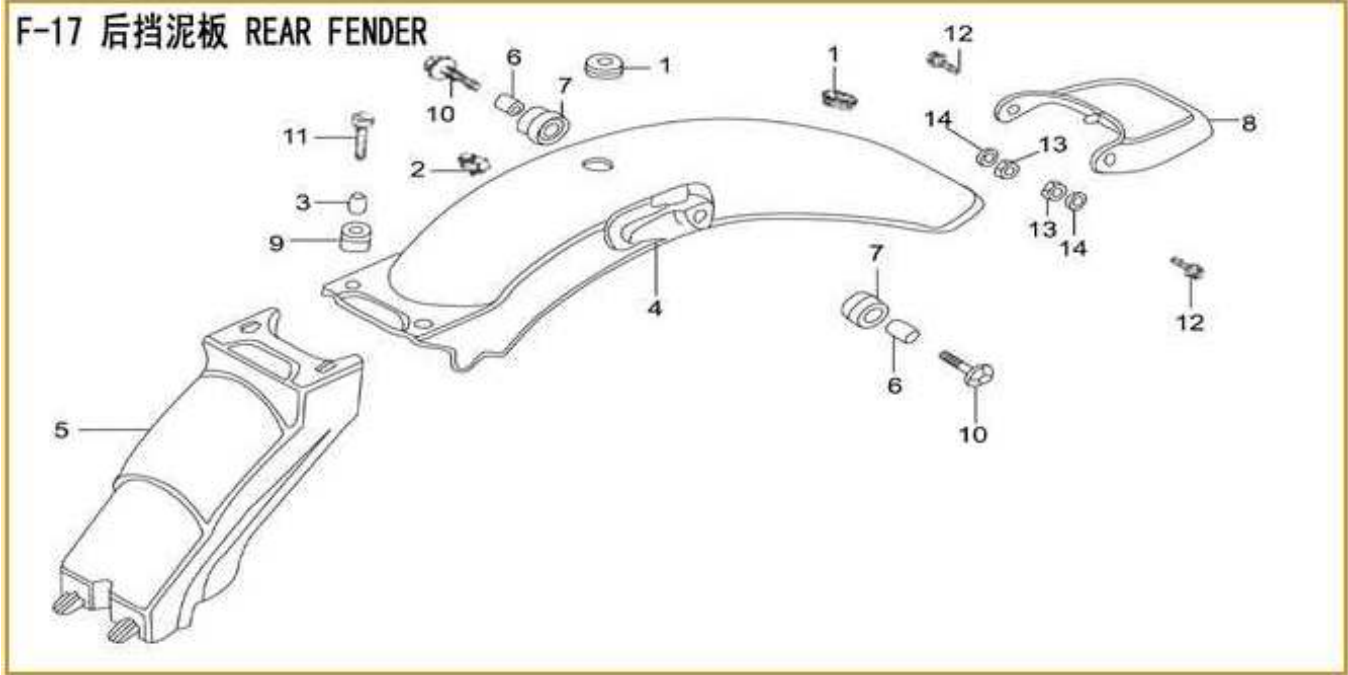
125515-1	Top Chaincase
125515-2	Bottom Chaincase
125515-3	Chain
125515-4	Chain Lock
125515-5	Watch Hole Cap
125515-6	Rear Brake Limit Rod
125515-7	Passenger Footrest Boot, RH
125515-8	Passenger Footrest Stay
125515-9	Collar
125515-10	Passenger Footrest Bracket
125515-11	Rear Fork Weldment
125515-12	Rear Fork Bush
125515-13	Chain Label
125515-14	Bolt M6x8
125515-15	Rear Fork Shaft

125515-16	Bolt
125515-17	Nut
125515-18	Bolt M6x25
125515-19	Nut M8
125515-20	Washer 6
125515-21	Washer 8
125515-22	Washer 12
125515-23	Washer 10
125515-24	Split Pin3.2x14
125515-25	Split Pin 2x16
125515-26	Pin
125515-27	Chain Guide
125515-28	Passenger Footrest Comp., RH
125515-29	Passenger Footrest Comp., LH
125515-30	Chaincase

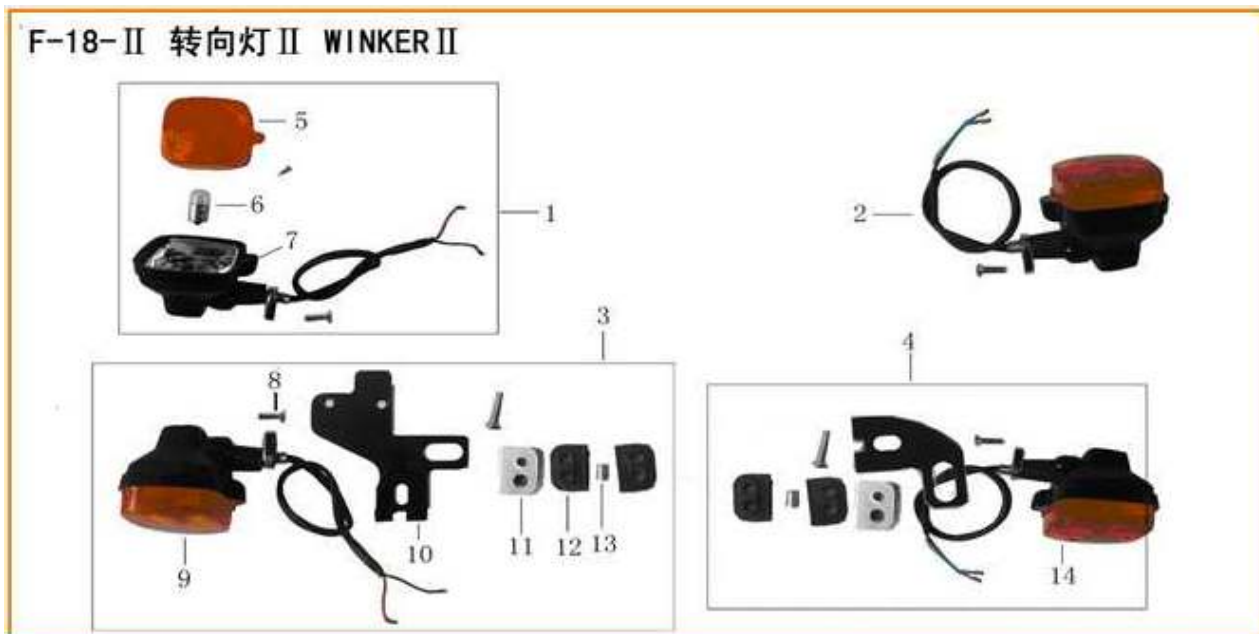
**F-16 后减震器 REAR SHOCK ABSORBER**



125516-1	Rear Shock Absorber Assy	
125516-2	Rear Shock Absorber Upper Joint	
125516-3	Spring, Rear Shock Absorber	
125516-4	Rear Shock Absorber Damper Comp.	
125516-5	Upper bush	
125516-6	Boot	
125516-7	Nut	
125516-8	Spring collar	
125516-9	Upper bush	
125516-10	Upper cushion	
125516-11	Washer 10	
125516-12	Washer	
125516-13	Cap nut	
125516-14	Washer	

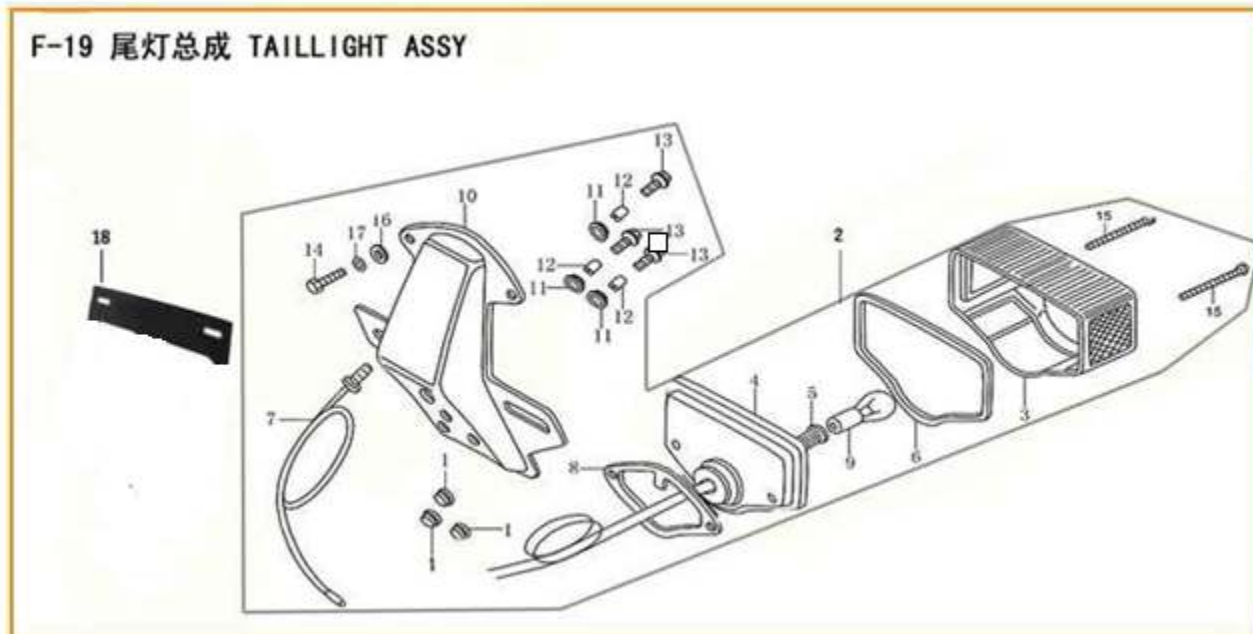


125517-1	Grommet	
125517-2	Rear Fender Grommet I	
125517-3	Bush I, Rear Fender	
125517-4	Rear Fender Rear Body	
125517-5	Rear Fender Front Body	
125517-6	Rear Fender Bush II	
125517-7	Rear Fender Grommet II	
125517-8	Rear Fender Tail Wing	
125517-9	Rubber Ring, Rear Fender	
125517-10	Bolt M6x25	
125517-11	Bolt M6x20	
125517-12	Bolt	
125517-13	Nut	
125517-14	Washer	

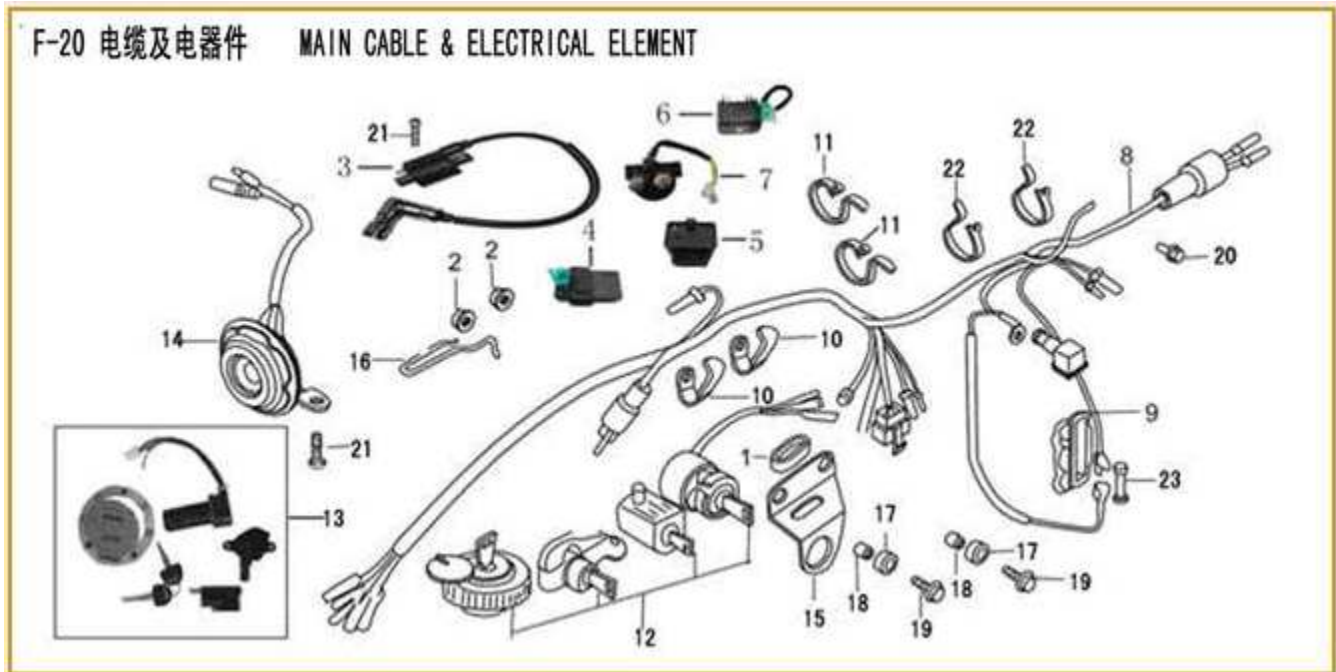


125518-1	Front Winker, RH	
125518-2	Front Winker, LH	
125518-3	Rear Winker, LH	
125518-4	Rear Winker, RH	
125518-5	Front Winker Lens, LH	
125518-6	Bulb,12V 10W	
125518-7	Front Winker Housing, RH	
125518-8	Bolt M5X20	
125518-9	Rear Winker, LH	
125518-10	Rear Winker Stay Comp, LH	
125518-11	Rear Winker Stay Shim	
125518-12	Rear Winker Rubber Washer	
125518-13	Rear Winker Socket Bush	
125518-14	Rear Winker, RH	

**F-19 尾灯总成 TAILLIGHT ASSY**

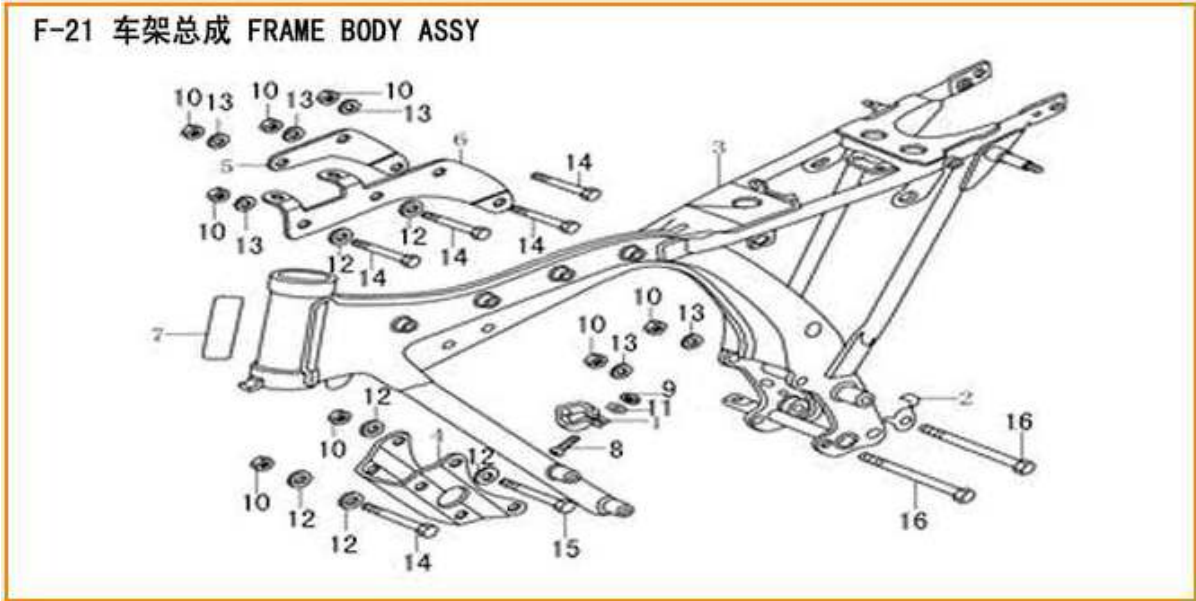


125519-1	Nut M6	
125519-2	Taillight Assy	
125519-3	Taillight Lens	
125519-4	Taillight Housing	
125519-5	Taillight Socket Comp.	
125519-6	Taillight Rim Seal	
125519-7	Taillight Wire Comp.	
125519-8	Taillight Rubber Ring	
125519-9	Bulb,12V 21W/5W	
125519-10	Rear License Soleplate	
125519-11	Rear License Bracket Rubber	
125519-12	Rear License Bracket Bush	
125519-13	Screw M6x12	
125519-14	Screw M5x12	
125519-15	Screw M4x38	
125519-16	Washer 5	
125519-17	Spring Washer	
125519-18	Rear License Soleplate	

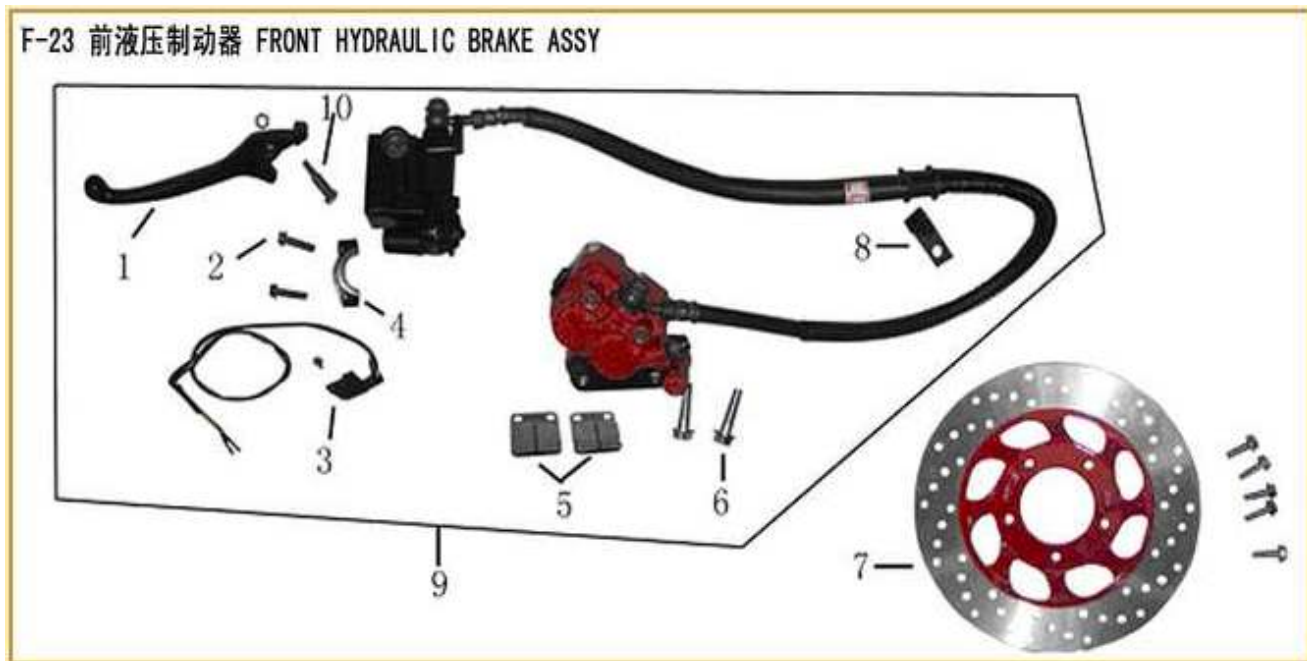


125520-1	Ignition Switch Cover	
125520-2	Nut M6	
125520-3	Ignition Coil	125722-3
125520-4	Ignition Controller	125722-4
125520-5	Flashing Relay	125722-5
125520-6	Voltage Regulator	125722-6
125520-7	Starting Relay	
125520-8	Main Cable	
125520-9	Fuse Comp.	
125520-10	Band I	
125520-11	Band II	
125520-12	Lock Assy	

125520-13	Lock Assy
125520-14	Horn
125520-15	Ignition Switch Bracket
125520-16	Wire Clip
125520-17	Rubber Ring
125520-18	Sleeve
125520-19	Bolt
125520-20	Bolt
125520-21	Screw
125520-22	Brand III
125520-23	Fuse

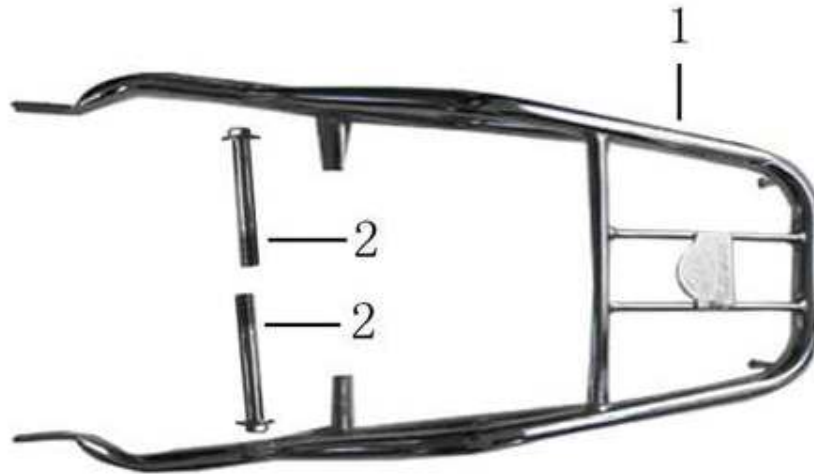


125521-1	Wire Clip	
125521-2	Wire Holder	
125521-3	Frame Weldment	
125521-4	Engine Front Suspension Plate	
125521-5	Engine Top Right Suspension Plate	
125521-6	Engine Top Left Suspension Plate	
125521-7	Nameplate	
125521-8	Bolt	
125521-9	Nut	
125521-10	Nut	
125521-11	Washer	
125521-12	Washer	
125521-13	Spring washer	
125521-14	Bolt M8x70	
125521-15	Bolt M8x90	
125521-16	Bolt M8x111	



125523-1	Front Brake Lever	
125523-2	Bolt M6X22	
125523-3	Front Brake Switch	
125523-4	Joint, Front Brake Master Cylinder	
125523-5	Front Disc Brake Pad	
125523-6	Bolt M8X28	
125523-7	Front Brake Disc	
125523-8	Circlip I, Hose	
125523-9	Front Hydraulic Brake Assy	
125523-10	Pin Shaft	

F-24-1 后货架焊接组合 I REAR CARRIER I



125524-1	Rear Carrier Weldment	
125524-2	Bolt M8x85	



<b>Meilun Wheel Bearing Specification</b>				
Sorted by Bike Model				
<b>Bike Model</b>	Description	Bearing #	Part #	
ML100-A	Front Wheel Right Bearing	<b>6300</b>	<b>1009-13</b>	
ML100-A	Front Wheel Left Bearing	<b>6300</b>	<b>1009-13</b>	
ML100-A	Rear Wheel Right Bearing	<b>6301</b>	<b>10010-18</b>	
ML100-A	Rear Wheel Left Bearing	<b>6301</b>	<b>10010-18</b>	
<b>ML100-A</b>	Rear Sprocket Hub Bearing	<b>6203</b>	<b>10010-19</b>	
ML125-5	Front Wheel Right Bearing	<b>6301</b>	<b>12557-21</b>	
ML125-5	Front Wheel Left Bearing	<b>6301</b>	<b>12557-21</b>	
ML125-5	Rear Wheel Right Bearing	<b>6202</b>	<b>12559-16</b>	
ML125-5	Rear Wheel Left Bearing	<b>6302</b>	<b>12559-20</b>	
ML125-7	Front Wheel Right Bearing	<b>6301</b>	<b>12577-16</b>	
ML125-7	Front Wheel Left Bearing	<b>6301</b>	<b>12577-16</b>	
ML125-7	Rear Wheel Right Bearing	<b>6302</b>	<b>12578-13</b>	
ML125-7	Rear Wheel Left Bearing	<b>6202</b>	<b>12578-15</b>	
<b>ML125-7</b>	Rear Sprocket Hub Bearing	<b>6204</b>	<b>12578-14</b>	
ML125T-26	Front Wheel Right Bearing	<b>6301</b>	<b>125269-12</b>	
ML125T-26	Front Wheel Left Bearing	<b>6301</b>	<b>125269-12</b>	
ML125T-26	Rear Wheel Right Bearing	<b>6203</b>	<b>1252610-7</b>	
ML125T-26	Rear Wheel Left Bearing	<b>6203</b>	<b>1252610-7</b>	
ML150-9J	Front Wheel Right Bearing	<b>6301</b>	<b>15098-9</b>	
ML150-9J	Front Wheel Left Bearing	<b>6301</b>	<b>15098-9</b>	
ML150-9J	Rear Wheel Right Bearing	<b>6302</b>	<b>15099-11</b>	
ML150-9J	Rear Wheel Left Bearing	<b>6202</b>	<b>15099-12</b>	
<b>ML150-9J</b>	Rear Sprocket Hub Bearing	<b>6204</b>	<b>15099-13</b>	
ML150GY-3A	Front Wheel Right Bearing	<b>6301</b>	<b>20058-13</b>	
ML150GY-3A	Front Wheel Left Bearing	<b>6301</b>	<b>20058-13</b>	
ML150GY-3A	Rear Wheel Right Bearing	<b>6302</b>	<b>20059-21</b>	
ML150GY-3A	Rear Wheel Left Bearing	<b>6302</b>	<b>20059-21</b>	
ML150ZH-3	Front Wheel Right Bearing	<b>6304</b>	<b>31508-13</b>	
ML150ZH-3	Front Wheel Left Bearing	<b>6304</b>	<b>31508-13</b>	
ML150ZH-3	Rear Wheel Right Bearing		<b>N/A</b>	
ML150ZH-3	Rear Wheel Left Bearing		<b>N/A</b>	
ML200GY-5	Front Wheel Right Bearing	<b>6301</b>	<b>20058-13</b>	
ML200GY-5	Front Wheel Left Bearing	<b>6301</b>	<b>20058-13</b>	
ML200GY-5	Rear Wheel Right Bearing	<b>6302</b>	<b>20059-21</b>	
ML200GY-5	Rear Wheel Left Bearing	<b>6302</b>	<b>20059-21</b>	
ML250-4	Front Wheel Right Bearing	<b>6202</b>	<b>25047-8</b>	
ML250-4	Front Wheel Left Bearing	<b>6202</b>	<b>25047-8</b>	
ML250-4	Rear Wheel Right Bearing	<b>6302</b>	<b>25048-15</b>	
ML250-4	Rear Wheel Left Bearing	<b>6202</b>	<b>25048-16</b>	
<b>ML250-4</b>	Rear Sprocket Hub Bearing	<b>6004</b>	<b>25048-17</b>	

<b>Meilun Wheel Bearing Specification</b>				
Sorted by Bearing #				
Bike Model	Description	Bearing #	Part #	
<b>ML250-4</b>	Rear Sprocket Hub Bearing	<b>6004</b>	<b>25048-17</b>	
ML125-5	Rear Wheel Right Bearing	<b>6202</b>	<b>12559-16</b>	
ML125-7	Rear Wheel Left Bearing	<b>6202</b>	<b>12578-15</b>	
ML150-9J	Rear Wheel Left Bearing	<b>6202</b>	<b>15099-12</b>	
ML250-4	Front Wheel Right Bearing	<b>6202</b>	<b>25047-8</b>	
ML250-4	Front Wheel Left Bearing	<b>6202</b>	<b>25047-8</b>	
ML250-4	Rear Wheel Left Bearing	<b>6202</b>	<b>25048-16</b>	
<b>ML100-A</b>	Rear Sprocket Hub Bearing	<b>6203</b>	<b>10010-19</b>	
ML125T-26	Rear Wheel Right Bearing	<b>6203</b>	<b>1252610-7</b>	
ML125T-26	Rear Wheel Left Bearing	<b>6203</b>	<b>1252610-7</b>	
<b>ML125-7</b>	Rear Sprocket Hub Bearing	<b>6204</b>	<b>12578-14</b>	
<b>ML150-9J</b>	Rear Sprocket Hub Bearing	<b>6204</b>	<b>15099-13</b>	
ML100-A	Front Wheel Right Bearing	<b>6300</b>	<b>1009-13</b>	
ML100-A	Front Wheel Left Bearing	<b>6300</b>	<b>1009-13</b>	
ML100-A	Rear Wheel Right Bearing	<b>6301</b>	<b>10010-18</b>	
ML100-A	Rear Wheel Left Bearing	<b>6301</b>	<b>10010-18</b>	
ML125-5	Front Wheel Right Bearing	<b>6301</b>	<b>12557-21</b>	
ML125-5	Front Wheel Left Bearing	<b>6301</b>	<b>12557-21</b>	
ML125-7	Front Wheel Right Bearing	<b>6301</b>	<b>12577-16</b>	
ML125-7	Front Wheel Left Bearing	<b>6301</b>	<b>12577-16</b>	
ML125T-26	Front Wheel Right Bearing	<b>6301</b>	<b>125269-12</b>	
ML125T-26	Front Wheel Left Bearing	<b>6301</b>	<b>125269-12</b>	
ML150-9J	Front Wheel Right Bearing	<b>6301</b>	<b>15098-9</b>	
ML150-9J	Front Wheel Left Bearing	<b>6301</b>	<b>15098-9</b>	
ML150GY-3A	Front Wheel Right Bearing	<b>6301</b>	<b>20058-13</b>	
ML150GY-3A	Front Wheel Left Bearing	<b>6301</b>	<b>20058-13</b>	
ML200GY-5	Front Wheel Right Bearing	<b>6301</b>	<b>20058-13</b>	
ML200GY-5	Front Wheel Left Bearing	<b>6301</b>	<b>20058-13</b>	
ML125-5	Rear Wheel Left Bearing	<b>6302</b>	<b>12559-20</b>	
ML125-7	Rear Wheel Right Bearing	<b>6302</b>	<b>12578-13</b>	
ML150-9J	Rear Wheel Right Bearing	<b>6302</b>	<b>15099-11</b>	
ML150GY-3A	Rear Wheel Right Bearing	<b>6302</b>	<b>20059-21</b>	
ML150GY-3A	Rear Wheel Left Bearing	<b>6302</b>	<b>20059-21</b>	
ML200GY-5	Rear Wheel Right Bearing	<b>6302</b>	<b>20059-21</b>	
ML200GY-5	Rear Wheel Left Bearing	<b>6302</b>	<b>20059-21</b>	
ML250-4	Rear Wheel Right Bearing	<b>6302</b>	<b>25048-15</b>	
ML150ZH-3	Front Wheel Right Bearing	<b>6304</b>	<b>31508-13</b>	
ML150ZH-3	Front Wheel Left Bearing	<b>6304</b>	<b>31508-13</b>	
ML150ZH-3	Rear Wheel Right Bearing		<b>N/A</b>	
ML150ZH-3	Rear Wheel Left Bearing		<b>N/A</b>	

# 156FMI-2

**Engine Parts**  
**ML125-5/ML125-7**  
**2013**

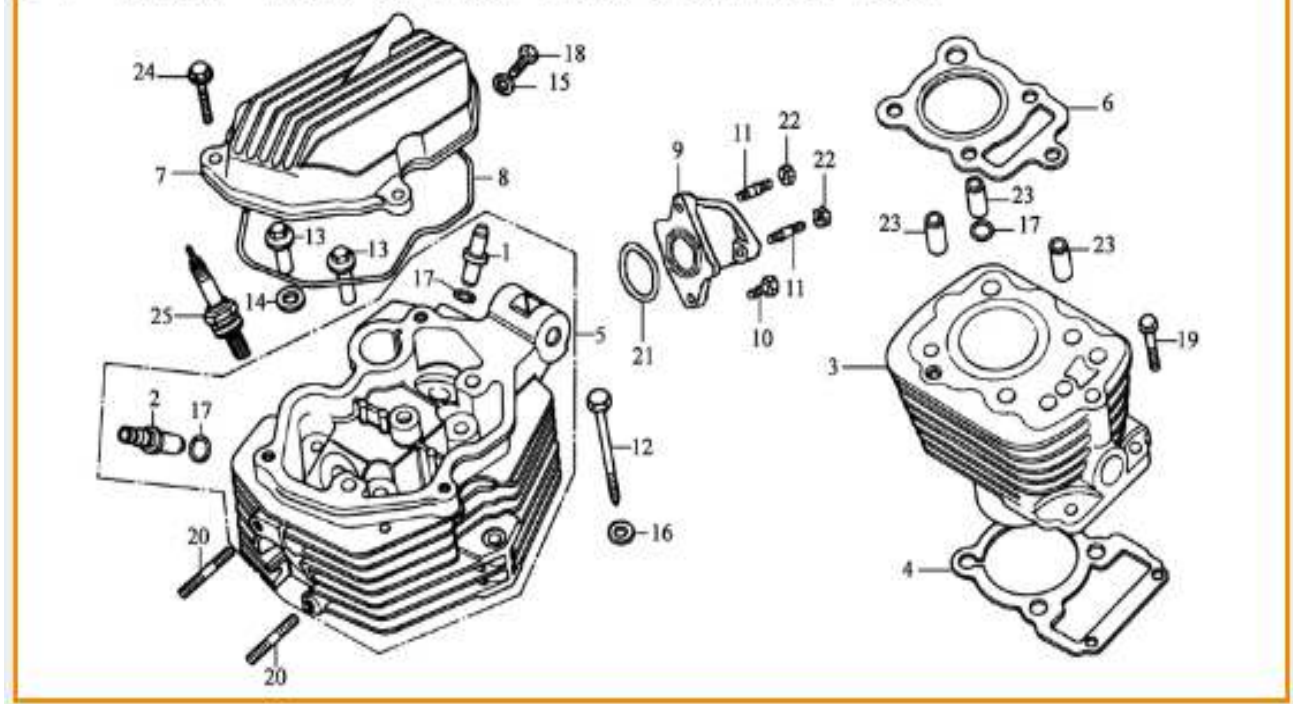


**UNIVERSAL**  
**H A R D W A R E®**

Box 585, Center Road  
Spanish Lookout  
Tel 501 823 0254  
[sales@universalhardware.bz](mailto:sales@universalhardware.bz)

3380 Chetumal Street  
Belize City  
Tel 501 224 4140  
[salesbz@universalhardware.bz](mailto:salesbz@universalhardware.bz)

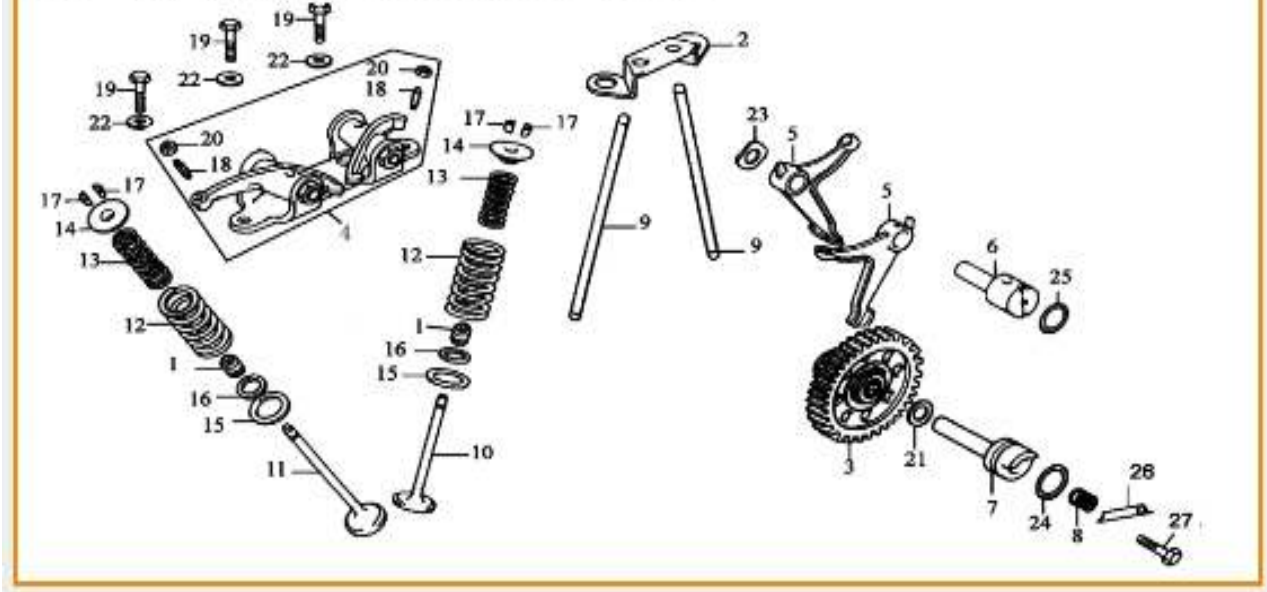
E-1 气缸体、气缸头 Cylinder Block & Cylinder Head



1561-1	Intake Valve Guide
1561-2	Exhaust Valve Guide
1561-3	Cylinder Block Comp.
1561-4	Cylinder Block Gasket
1561-5	Cylinder Head Comp.
1561-6	Cylinder Head Gasket
1561-7	Cylinder Head Cover
1561-8	Cylinder head cover Gasket
1561-9	Intake Pipe Set
1561-10	Bolt M6x20
1561-11	Bolt M6x22
1561-12	Stud M8x77
1561-13	Cap Nut

1561-14	Cylinder Bolt Steel Washer
1561-15	Cylinder Head Cover Oil Passage Washer 6
1561-16	Cylinder Head Washer IIF8
1561-17	Guide O-Ring
1561-18	Bolt M6x12
1561-19	Bolt M6x22
1561-20	Bolt M6x35
1561-21	Inlet Pipe O-Ring 33.5x3
1561-22	Nut M6
1561-23	Cylinder Head Dowel Pin 10x20
1561-24	Bolt M6x28
1561-25	Spark Plug(D8EA NGK)

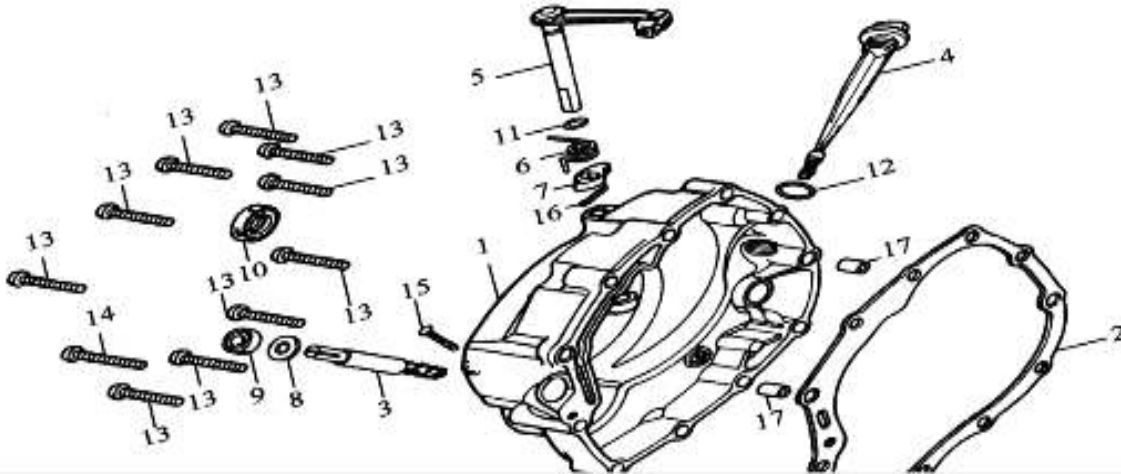
**E-2 配气机构 Camshaft & Valves**



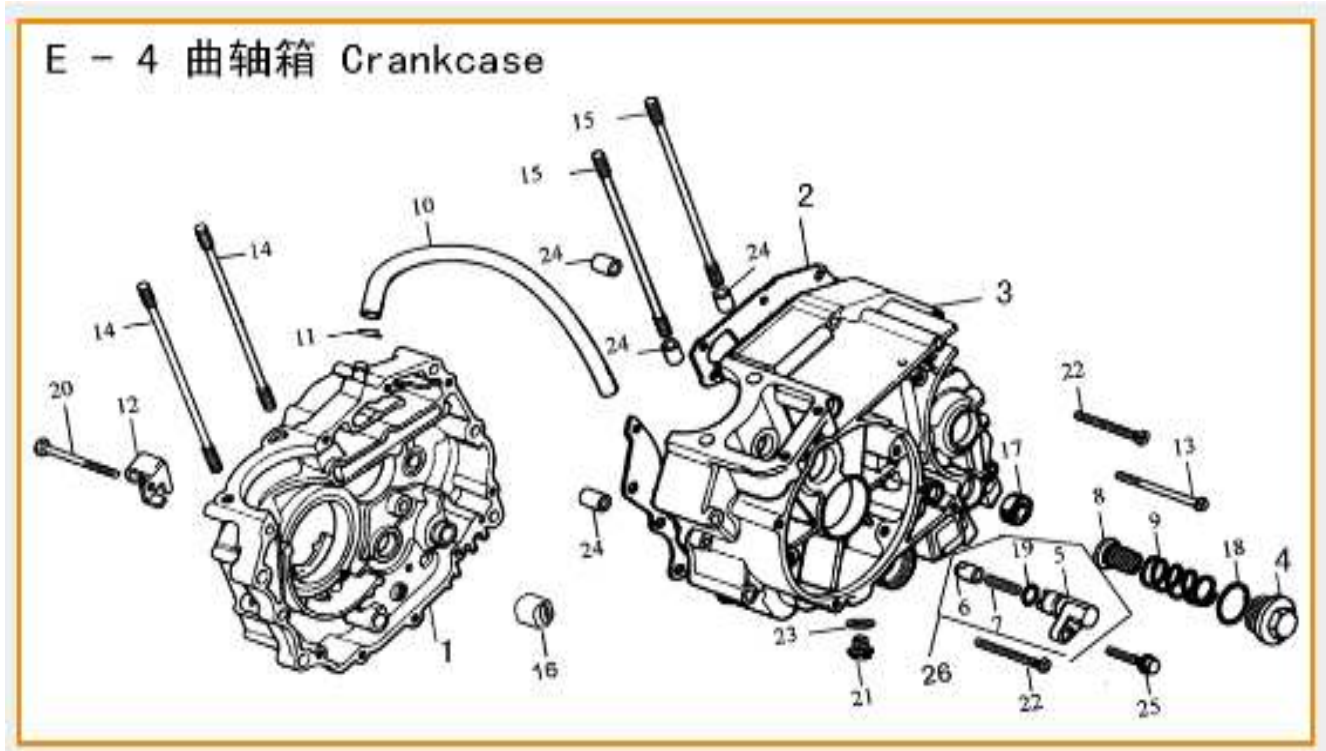
1562-1	Valve Stem Oil Seal
1562-2	Push Rod Support
1562-3	Timing Driven Gear
1562-4	Rocker Arm Bracket Comp.
1562-5	Lower Rocker Arm
1562-6	Lower Rocker Arm Shaft
1562-7	Camshaft
1562-8	Camshaft Spring
1562-9	Push Rod
1562-10	Intake Valve
1562-11	Exhaust Valve
1562-12	Valve Outer Spring
1562-13	Valve Inner Spring
1562-14	Valve Spring Retainer

1562-15	Valve Outer Spring Seat
1562-16	Valve Inner Spring Seat
1562-17	Valve Split Cone
1562-18	Valve Adjusting Screw
1562-19	Bolt M8x28
1562-20	Valve Locknut
1562-21	Camshaft Washer
1562-22	Rocker Shaft Washer
1562-23	Lower Rocker Wave Washer
1562-24	Camshaft O-Ring 20x2.5
1562-25	Lower Rocker O-Ring 17x2.5
1562-26	Camshaft Stopper
1562-27	Bolt M6x12

E-3 右曲轴箱盖 Right Crankcase Cover

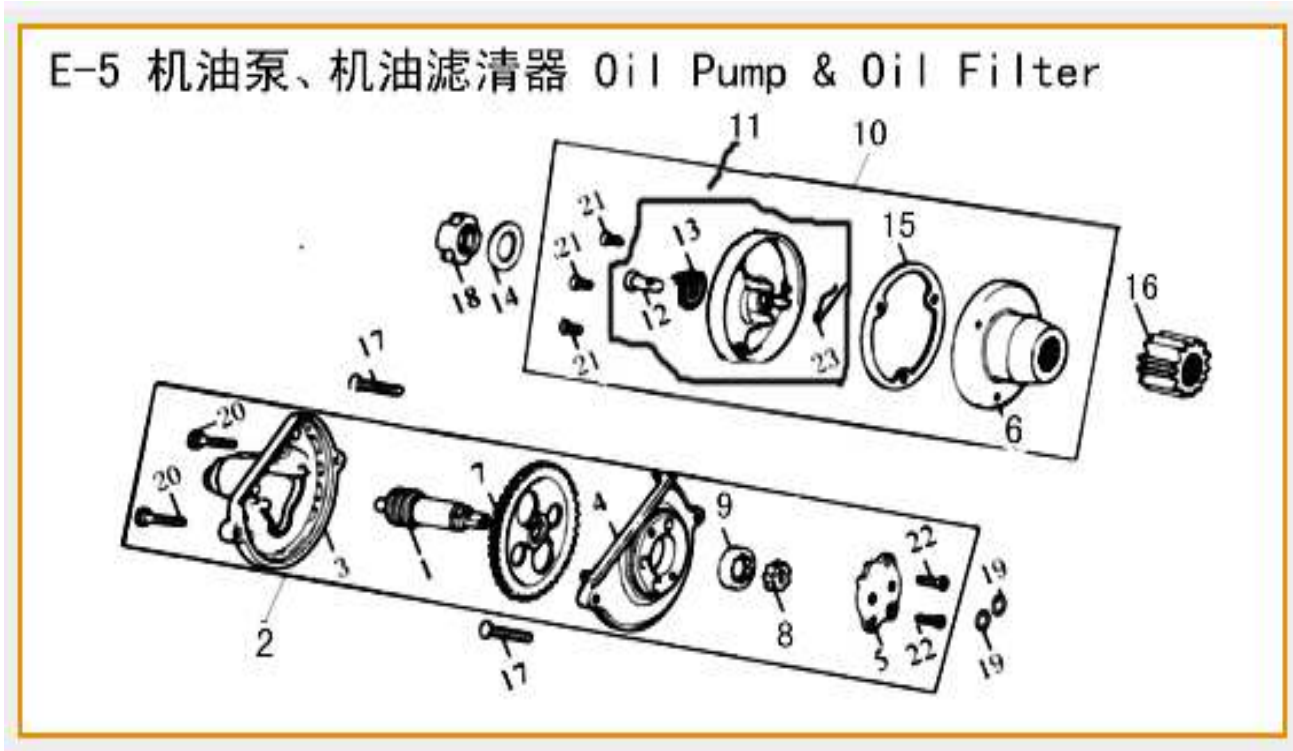


1563-1	Crankcase Cover, RH	
1563-2	Crankcase Cover Gasket, RH	
1563-3	Speed Output Shaft	
1563-4	Dipstick	
1563-5	Clutch Lever Comp.	
1563-6	Clutch Lever Spring	
1563-7	Clutch Separating Cam	
1563-8	Speed Output Shaft Washer	
1563-9	Speed Output Shaft Oil Seal 6.5x14.5x7	
1563-10	Oil Seal 16x28x7	
1563-11	Clutch Lever O-Ring 6.8x1.9	
1563-12	Dipstick O-Ring 18x3	
1563-13	Screw M6x40	
1563-14	Screw M6x50	
1563-15	Screw M5x30	
1563-16	Split Pin 2x30	
1563-17	Crankcase Cover Dowel Pin 8x14,RH	



1564-1	Crankcase Comp., RH
1564-2	Crankcase Gasket
1564-3	Crankcase Comp., LH
1564-4	Oil Filter Screen Cover
1564-5	Pin-Keeping Block
1564-6	Pin-Keeping
1564-7	Pin-Keeping Spring
1564-8	Oil Filter Screen
1564-9	Oil Filter Screen Spring
1564-10	Crankcase Exhaust Pipe
1564-11	Crankcase Exhaust Pipe Clip
1564-12	Clutch Cable Adjusting Stay
1564-13	Bolt M6x95

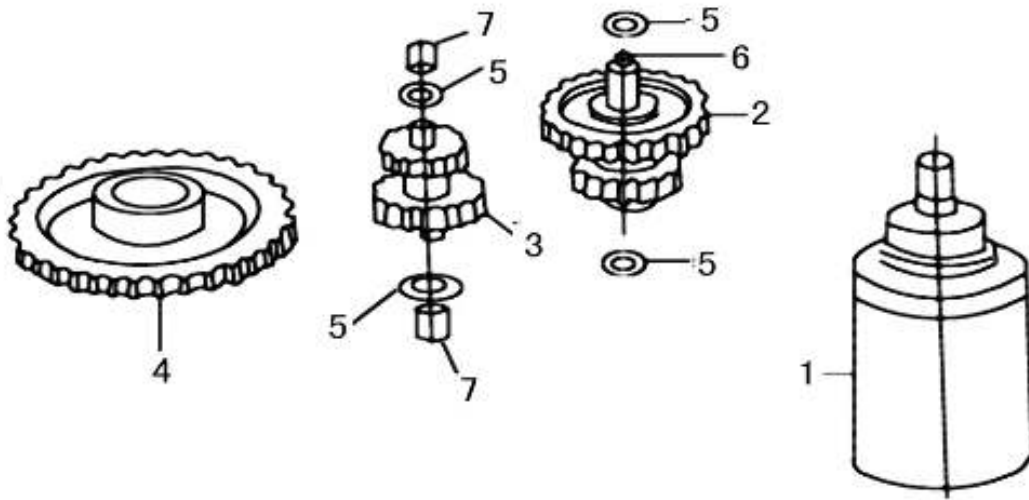
1564-14	Cylinder Stud A
1564-15	Cylinder Stud B
1564-16	Needle Bearing Hk212810
1564-17	Gearshift Shaft Oil Seal 14x28x7
1564-18	Oil Filter Screen Cover O-Ring 35.5x3
1564-19	Crankcase O-Ring 13x2.5,LH
1564-20	Bolt M6x55
1564-21	Drain Plug
1564-22	Bolt M6x50
1564-23	Drain Plug Washer
1564-24	Crankcase Dowel Pin 10x14
1564-25	Bolt M6x25
1564-26	Pin-Keeping Body Comp.



1565-1	Oil Pump Shaft
1565-2	Oil Pump Assy
1565-3	Oil Pump Gear Cover
1565-4	Oil Pump Body
1565-5	Oil Pump Cover
1565-6	Oil Filter Rotator Comp.
1565-7	Oil Pump Driven Gear
1565-8	Oil Pump Inner Rotor
1565-9	Oil Pump Outer Rotor
1565-10	Oil Filter Assy
1565-11	Filter Cover
1565-12	Crankshaft Oil Pipe

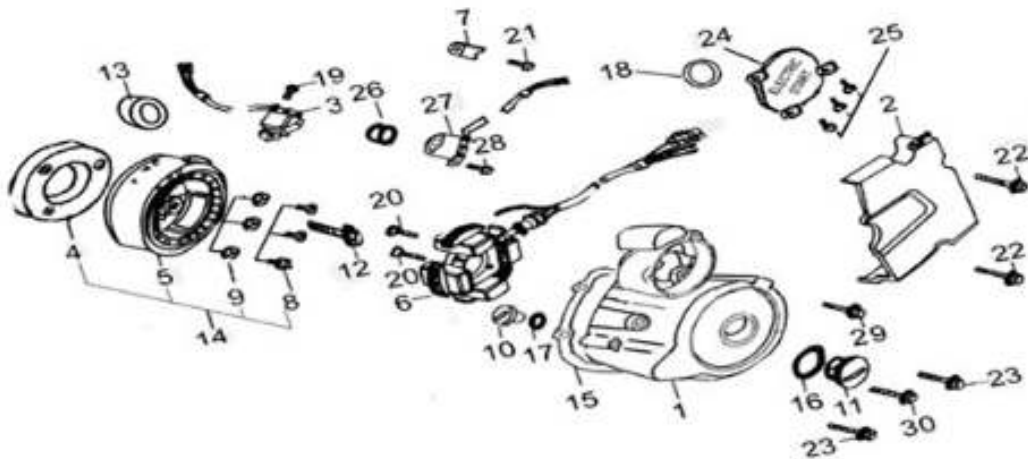
1565-13	Crankshaft Oil Pipe Spring
1565-14	Primary Drive Gear Thrust Washer
1565-15	Oil Filter Cover Gasket
1565-16	Primary Drive Gear
1565-17	Screw M6x30
1565-18	Primary Drive Gear Locknut
1565-19	Oil Pump Fixing Cover O-Ring 9.4x2.4
1565-20	Bolt M5x20
1565-21	Screw M5x12
1565-22	Screw M4x12
1565-23	Oil Filter Snap Ring

**E-6 起动电机 Starting Motor**



1566-1	Motor Assy Starting	
1566-2	Dual-Gear Comp.?	
1566-3	Dual-Gear Comp. II	
1566-4	Starting Clutch Gear Comp.	
1566-5	Dual-Gear Washer	
1566-6	Dual-Gear Shaft Comp.	
1566-7	Needle Bearing Hk101410	

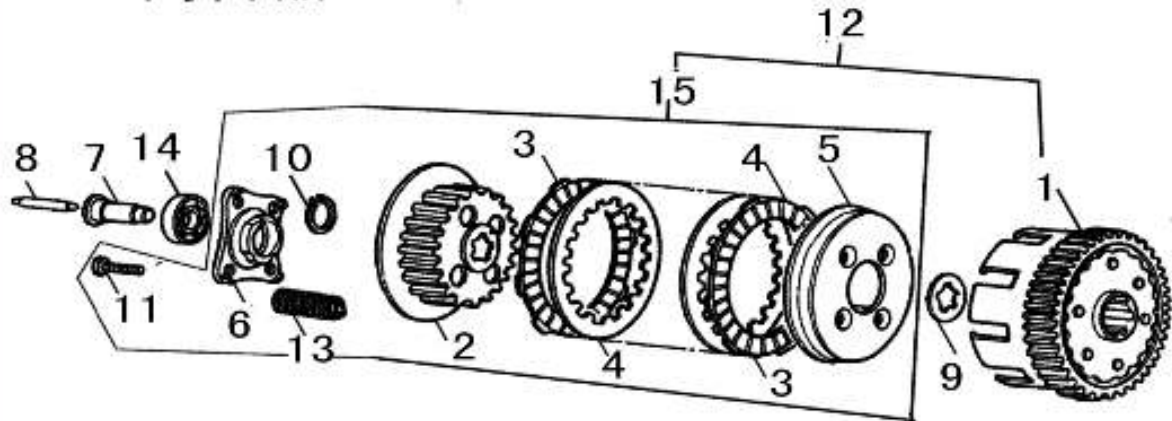
E-7 磁电机 Magneto



1567-1	Crankcase Cover, LH
1567-2	Rear Cover, LH
1567-3	Induction Coil
1567-4	Starting Clutch Assy
1567-5	Magneto Rotor Comp.
1567-6	Magneto Stator Comp.
1567-7	Magneto Wire Clip
1567-8	Screw M8x30
1567-9	Spring Washer F8
1567-10	View Hole Plug
1567-11	Plug
1567-12	Magneto Locknut
1567-13	Crankshaft Oil Seal, LH (50x34x7)
1567-14	Magneto Rotor Assy
1567-15	Crankcase Cover Gasket, LH

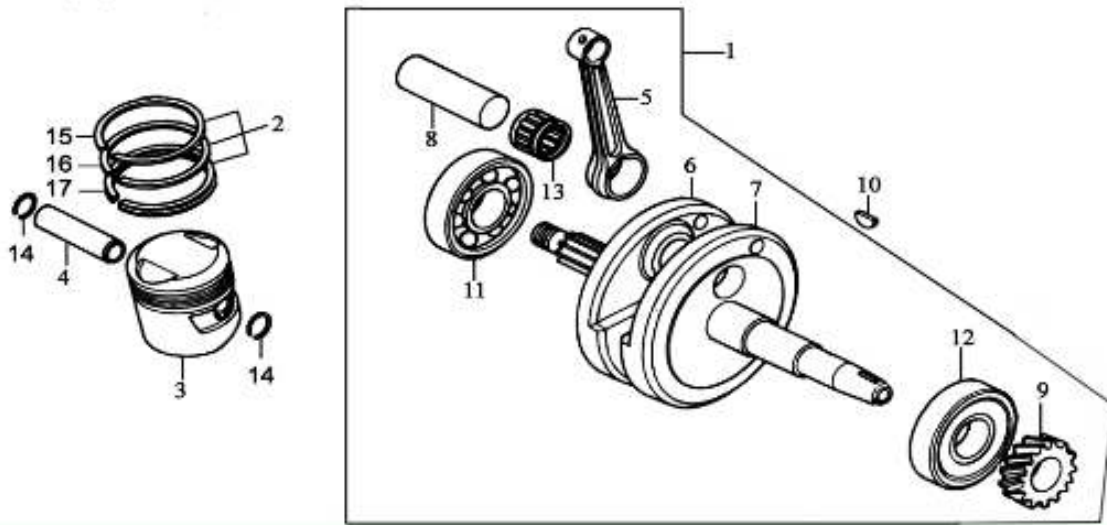
1567-16	Plug O-Ring 27.5x2.5
1567-17	Watch Hole Plug O-Ring 13.8x2.5
1567-18	O-Ring 63x3
1567-19	Screw M5x16
1567-20	Screw M5x30
1567-21	Bolt M6x12
1567-22	Bolt M6x28
1567-23	Bolt M6x40
1567-24	Idler Cover
1567-25	Screw M6x20
1567-26	Neutral Indicator Oil Seal
1567-27	Gear Indicator
1567-28	Bolt M6x12
1567-29	Bolt M6x25
1567-30	Bolt M6x50

**E-8 离合器 Clutch**

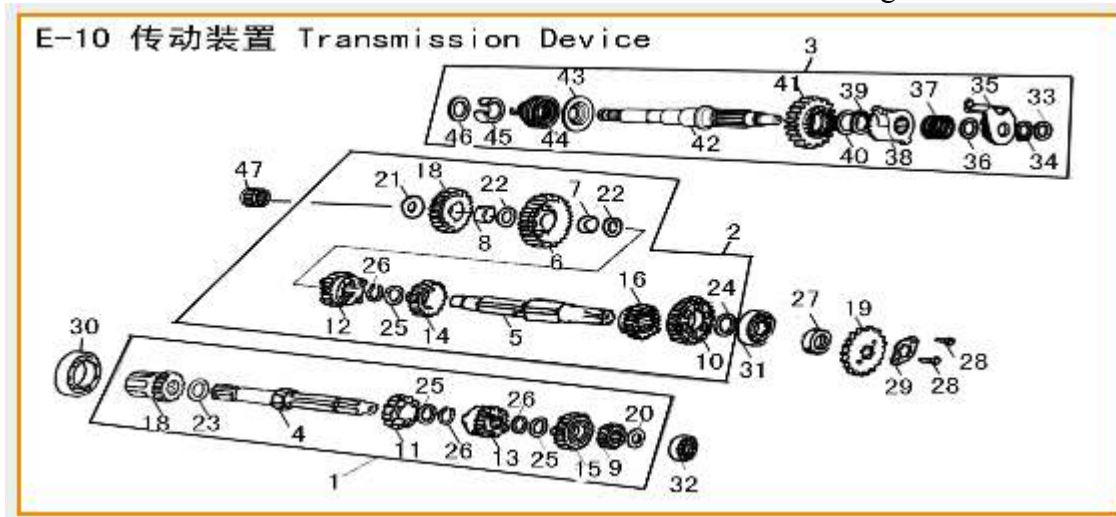


1568-1	Drive Disc Set	
1568-2	Driven Disc Set	
1568-3	Drive Plate	
1568-4	Driven Plate	
1568-5	Clutch Pressure Plate	
1568-6	Clutch Lifter Plate	
1568-7	Clutch Pusher	
1568-8	Clutch Mandrel	
1568-9	Clutch Spline Washer	
1568-10	Circlip 17	
1568-11	Bolt M6x25	
1568-12	Clutch Main Body,	
1568-13	Clutch Spring,(4PCS)	
1568-14	Bearing 6001	
1568-15	Driven Disc Assy	

**E-9 曲轴、活塞 Crankshaft & Piston**

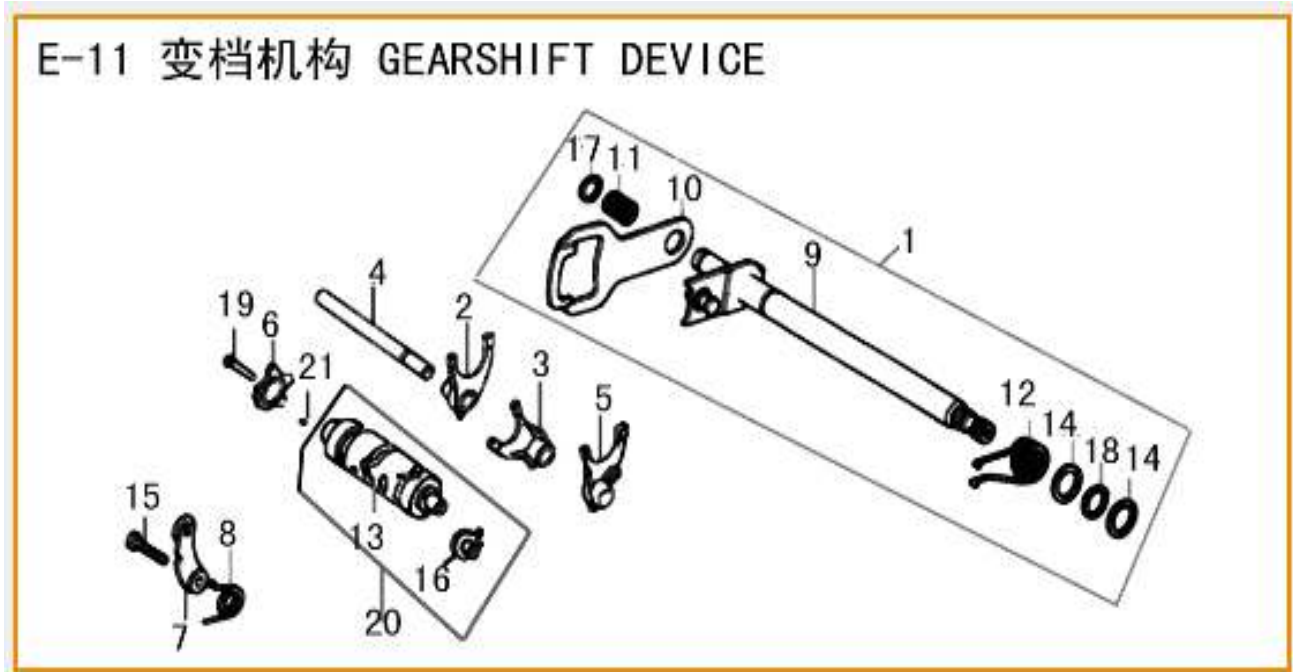


1569-1	Crankshaft & Connecting Rod	
1569-2	Piston Ring Set	
1569-3	Piston	
1569-4	Piston Pin	
1569-5	Connecting Rod	
1569-6	Crankshaft, RH	
1569-7	Crankshaft, LH	
1569-8	Crankshaft Pin	
1569-9	Timing Drive Gear	
1569-10	\Crankshaft Woodruff Key	
1569-11	Crankshaft Bearing, RH	
1569-12	Crankshaft Bearing, LH	
1569-13	Connecting Rod Big End Bearing	
1569-14	Piston Pin Circlip	
1569-15	Piston Ring I	
1569-16	Piston Ring II	
1569-17	3-Piece Oil Ring	



15610-1	Mainshaft Assy
15610-2	Countershaft Assy
15610-3	Starting Shaft Assy
15610-4	Mainshaft
15610-5	Countershaft
15610-6	Countershaft First Gear
15610-7	Countershaft 1st Gear Bush
15610-8	Starting Mid-Gear Bush
15610-9	Mainshaft Second Gear
15610-10	Countershaft Second Gear
15610-11	Mainshaft Third Gear
15610-12	Countershaft Third Gear
15610-13	Mainshaft Fourth Gear
15610-14	Countershaft Fourth Gear
15610-15	Mainshaft Fifth Gear
15610-16	Countershaft 5th Gear
15610-17	Starting Driven Gear
15610-18	Starting Mid-Gear Comp.
15610-19	Output Sprocket
15610-20	Mainshaft Washer
15610-21	Starting Mid-Gear Washer
15610-22	Countershaft Washer
15610-23	Washer
15610-24	Countershaft Washer II

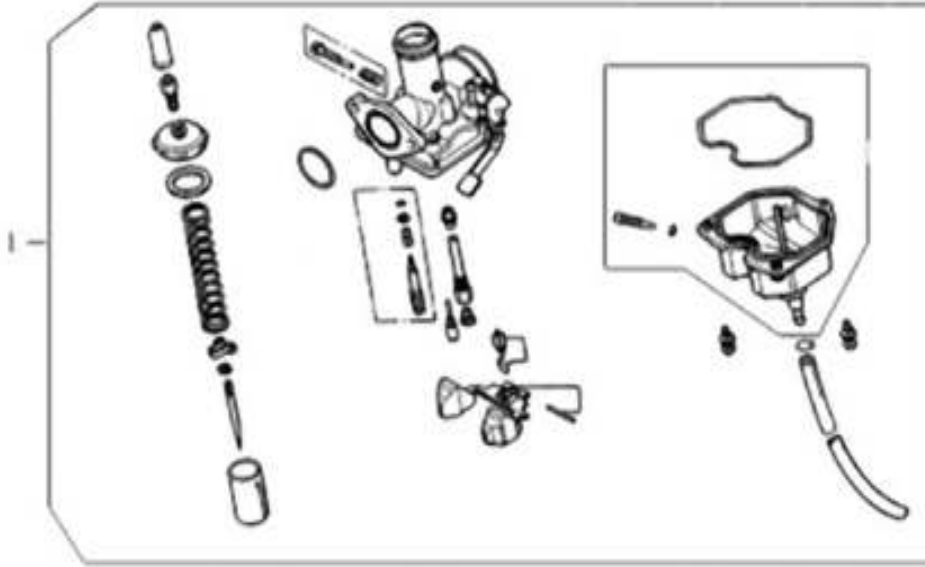
15610-25	Mainshaft Spline Washer
15610-26	Circlip
15610-27	Oil Seal 20x34x7
15610-28	Bolt M6x10
15610-29	Sprocket Locating Plate
15610-30	Bearing 6106
15610-31	Bearing 6204
15610-32	Bearing 6202
15610-33	Starting Shaft Washer III
15610-34	Circlip
15610-35	Ratchet Guide
15610-36	Starting Shaft Washer II
15610-37	Starting Shaft Spring
15610-38	Ratchet
15610-39	Circlip 20
15610-40	Starting Shaft Washer I
15610-41	Starting Gear
15610-42	Starting Shaft
15610-43	Starting Shaft Spring Seat
15610-44	Starting Torsion Spring
15610-45	Starting Shaft Sleeve
15610-46	Starting Shaft Washer IV
15610-47	Bearing HK152312



15611-1	Gearshift Shaft Assy
15611-2	Fork III
15611-3	Fork II
15611-4	Fork Shaft
15611-5	Fork I
15611-6	Gearshift Cam
15611-7	Limit Block
15611-8	Limit Block Torsion Spring
15611-9	Gearshift Shaft
15611-10	Gearshift Shifter
15611-11	Gearshift Spring

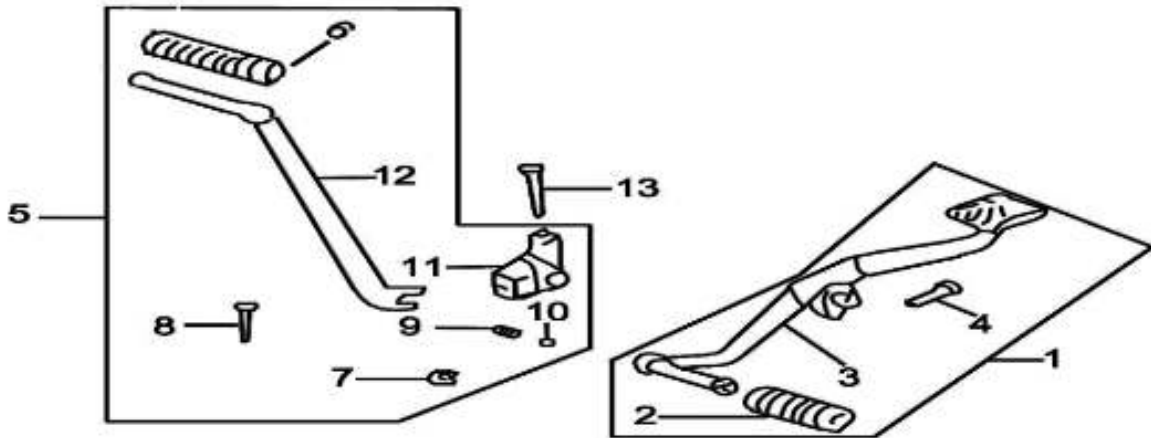
15611-12	Gearshift Shaft Reset Spring
15611-13	Gearshift Drum
15611-14	Gearshift Shaft Washer
15611-15	Bolt M6x20
15611-16	Gear Indicator Contactor Comp.
15611-17	Circlip 12
15611-18	Circlip 14
15611-19	Bolt M6x25
15611-20	Gearshift Drum Comp.
15611-21	Gearshift Cam Pin B4x10

E-12 化油器 CARBURETOR



15612-1	Carburetor Assy	
---------	-----------------	--

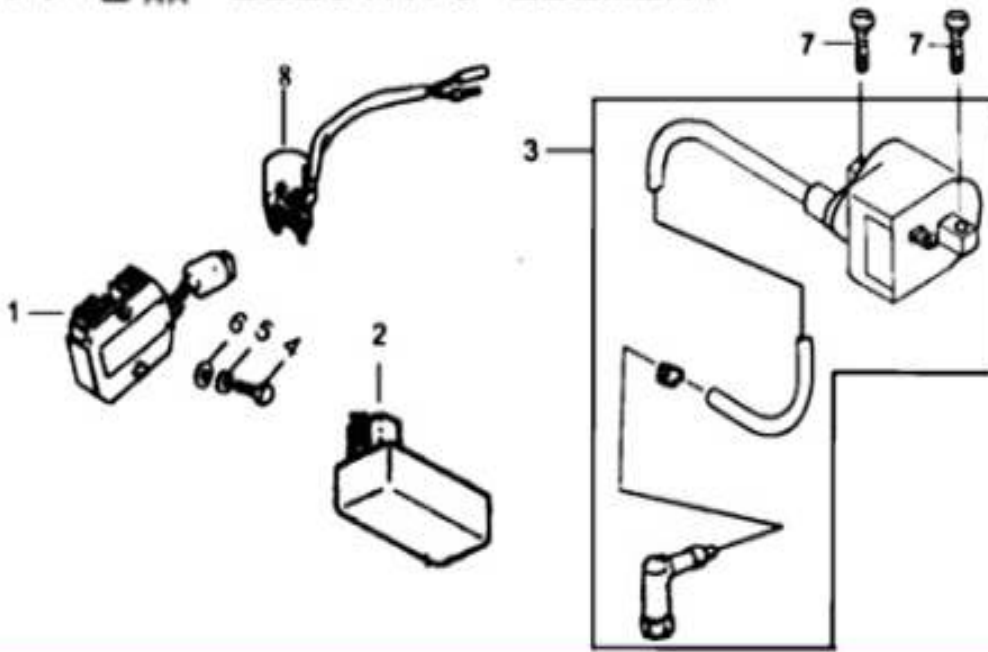
E-13 变档杆、起动杆 GEARSHIFT PEDAL & STARTING ARM



15613-1-5	Gearshift Pedal Assy for ML125-5	*****
15613-1-7	Gearshift Pedal Assy for ML125-7	*****
15613-2	Gearshift Pedal Rubble Boot	
15613-3	Gearshift Weldment	*****
15613-4	Bolt M6x20	
15613-5-5	Starting Arm Assy for ML125-5	*****
15613-5-7	Starting Arm Assy for ML125-7	*****
15613-6	Starting Arm Assy Rubber Boot	
15613-7	Lock Ring 6	
15613-8	Starting Arm Assy Pin	
15613-9	Starting Arm Assy Spring	
15613-10	Steel Ball 8	
15613-11	Starting Arm Assy Joint	
15613-12	Starting Arm	*****
15613-13	Bolt M8x40	

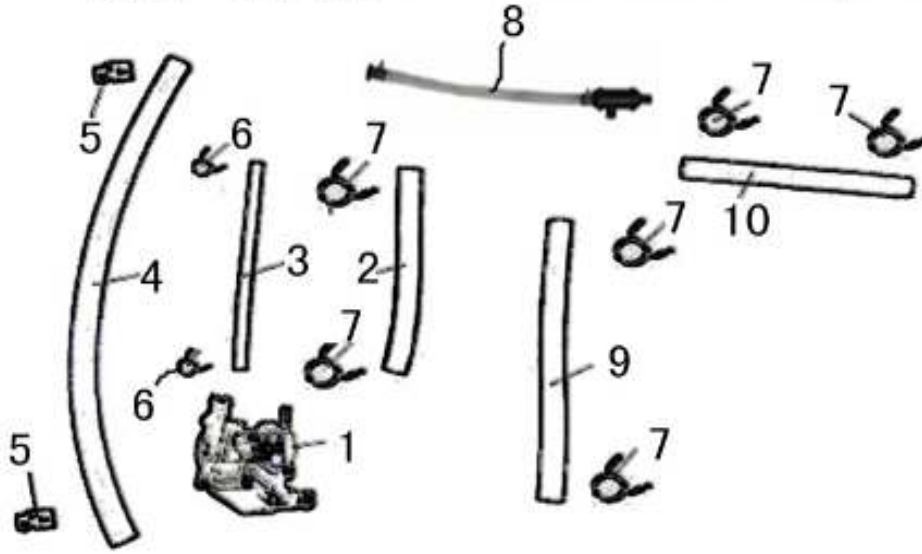
\*\*\*\*\* Part is different between ML125-5 and ML125-7.

**E-14 电器 ELECTRIC ELEMENT**



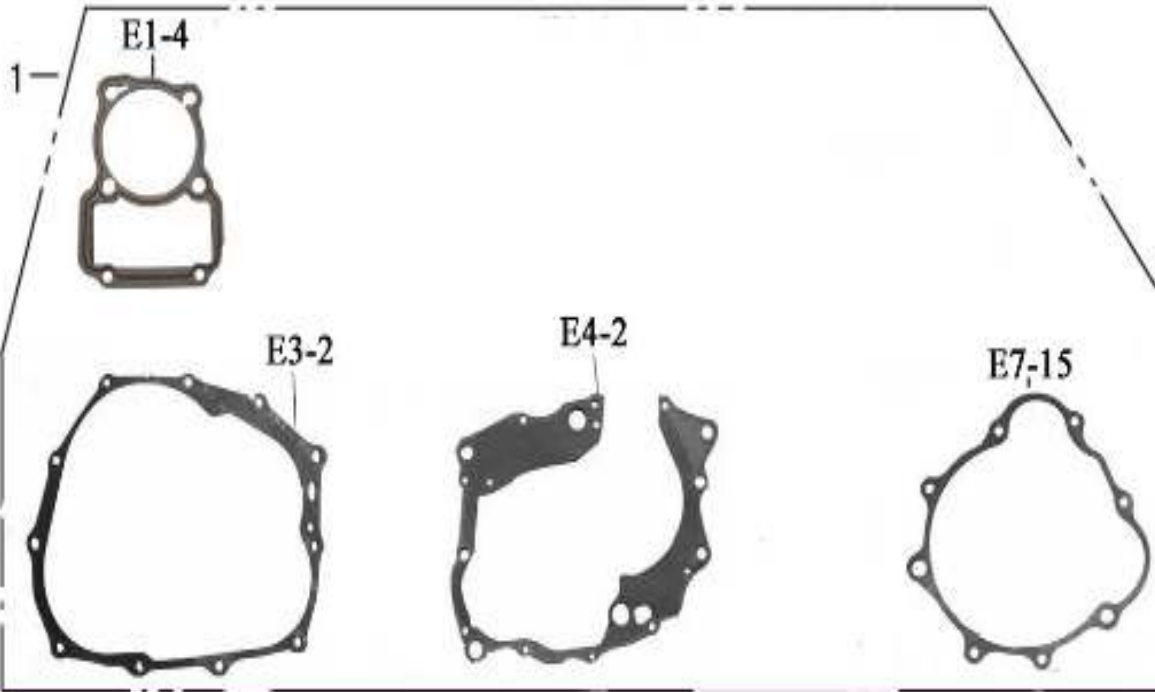
15614-1	Voltage Regulator	125722-6
15614-2	Ignition Controller	125722-4
15614-3	Ignition Coil	125722-3
15614-4	Bolt M6x20	
15614-5	Spring Washer 6	
15614-6	Washer 6	
15614-7	Bolt M6x25	
15614-8	Starting Relay	125722-7

E-15 二次进气系统 Second inlet system



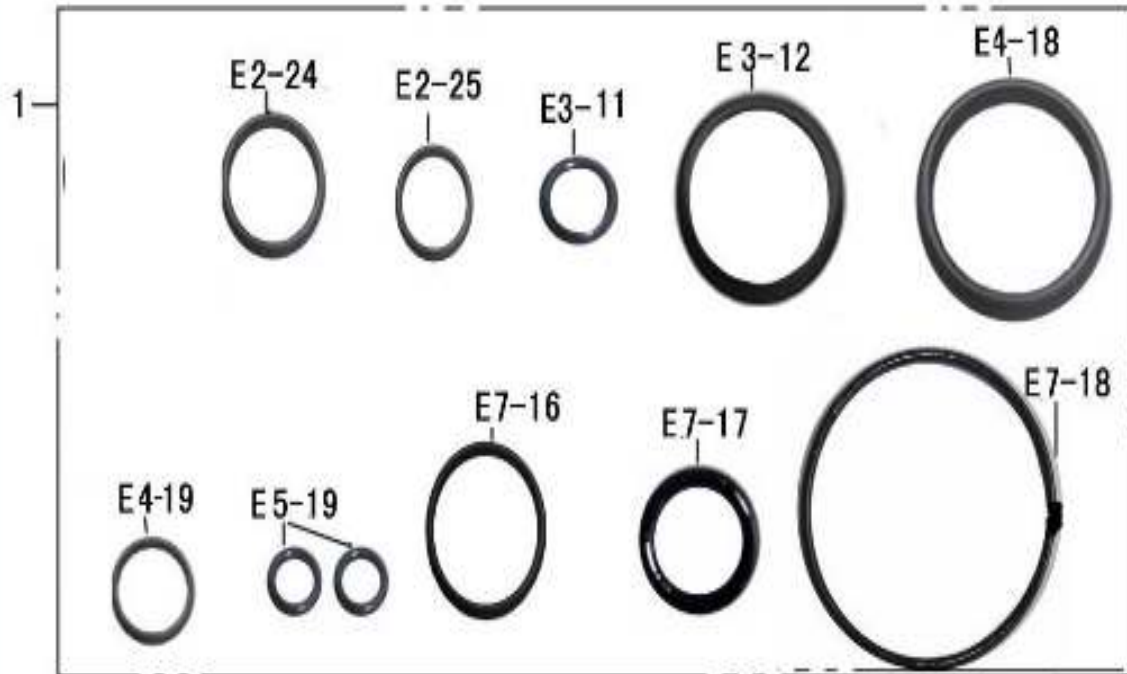
15615-1	Secondary Air Aeration Valve Comp.	
15615-2	Secondary Air Aeration Valve Outlet Pipe	
15615-3	Aeration Vacuum Pipe	
15615-4	Secondary Air Aeration Valve Inlet Pipe	
15615-5	Secondary Air Aeration Valve ClampF15	
15615-6	Crankcase Exhaust Pipe Circlip(I), F7	
15615-7	Crankcase Exhaust Pipe Circlip(II),F15	
15615-8	Air/Fuel Separator	
15615-9	Crankcase Exhaust Pipe I	
15615-10	Crankcase Exhaust Pipe II	

**E-16 全套纸垫 A FULL SET OF GASGETS**



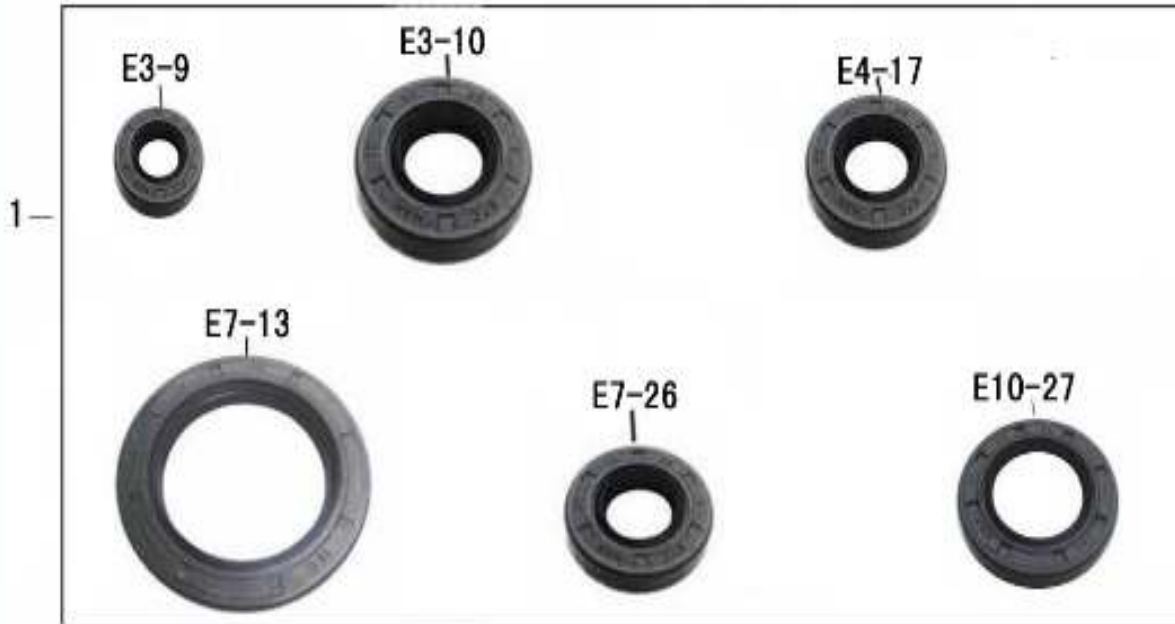
15616-1	A Full Set Of Gaskets	
---------	-----------------------	--

**E-17 全套 O 型圈 A FULL SET OF O-RINGS**



15617-1	A Full Set Of O-Rings	
---------	-----------------------	--

**E-18 全套油封 A FULL SET OF OIL SEALS**



15618-1	A Full Set Of Oil Seals	
---------	-------------------------	--

**E-19 全套轴承 A FULL SET OF BEARINGS**



15619-1	A Full Set Of Bearings	
---------	------------------------	--



# MIL125-5

## Parts Catalog

- ✓ **Always wear a helmet while driving Motorcycles**
- ✓ **Always have your headlights on while driving, even during the day – for safety reasons and longer battery life**
- ✓ **Make sure all lights work properly at all times**
- ✓ **Always drive with Insurance Coverage, Licensed Motorcycle and Motorcycle Driver's License**
- ✓ **Change oil (SAE15W/40SE) after the first 500 KMs and after every 2,000 KMs**
- ✓ **Use Regular Gas**
- ✓ **Always Drive with Awareness for SAFETY.**



## Meilun Motorcycle Warranty Policy

Meilun Motorcycles are under 3 months or 2,000 KMs warranty – whichever comes first. Specific items under warranty are:

- The Engine, and its related parts
- Cables, Horn, Switches
- And any other manufacturer's defect on motorcycle.

The following items are *not* covered under this warranty:

- Tires, Tubes, Chain & Sprockets
- Covers, Mirrors, Light Lenses, Alarm System
- Battery – unless convincing evidence shows defect
- And any other damages or wear & tear occurring under the owner's care.



**ML100-A**



**ML150-9J**



**ML125T-26**



**ML250-4**



**ML125-5**



**ML200GY-5**



**ML125-7**



**ML150ZH-3**